

TC EXTENDER PT-IQ-1S - Surge protection plug



2702257

<https://www.phoenixcontact.com/us/products/2702257>

Please be informed that the data shown in this PDF document is generated from our online catalog. Please find the complete data in the user documentation. Our general terms of use for downloads are valid.



Replaceable surge protection module, only for Ethernet extender TC EXTENDER 4001 ETH-1S (2702253), 1 SHDSL port, two-wire protection for floating SHDSL cables, two-level protective circuit

Commercial data

Item number	2702257
Packing unit	1 pc
Minimum order quantity	1 pc
Sales key	DN24
Product key	DNC442
GTIN	4055626057729
Weight per piece (including packing)	83.7 g
Weight per piece (excluding packing)	48.68 g
Customs tariff number	85363090
Country of origin	DE

TC EXTENDER PT-IQ-1S - Surge protection plug



2702257

<https://www.phoenixcontact.com/us/products/2702257>

Technical data

Notes

Note on application

Note on application	Only for industrial use
---------------------	-------------------------

Product properties

Product type	Replacement plug
IEC test classification	B1
	C1
	C2
	C3
	D1
Type	Male
Wire pairs per module	1

Insulation characteristics

Overvoltage category	II
Pollution degree	2

Electrical properties

Nominal voltage U_N	24 V DC
-----------------------	---------

Connection data

Connection method	pluggable
-------------------	-----------

Dimensions

Width	22 mm
Height	96 mm
Depth	80 mm

Protective circuit

Direction of action	Line-Line & Line-Earth Ground
Nominal voltage U_N	24 V DC
Nominal discharge current I_n (8/20) μ s (line-line)	1 kA (C1, 300 pulses)
Nominal discharge current I_n (8/20) μ s (line-ground)	1 kA
Pulse discharge current I_{imp} (10/350) μ s (line-earth)	500 A (D1)
Nominal pulse current I_{an} (10/1000) μ s (line-line)	100 A (B1)
Nominal pulse current I_{an} (10/1000) μ s (line-earth)	100 A

Environmental and real-life conditions

Ambient conditions

Degree of protection	IP20
----------------------	------

TC EXTENDER PT-IQ-1S - Surge protection plug



2702257

<https://www.phoenixcontact.com/us/products/2702257>

Approvals

Conformity/Approvals

Noxious gas test	ISA-S71.04-1985 G3 Harsh Group A
------------------	----------------------------------

Standards and regulations

Standards/specifications	IEC 61643-21
Standards/specifications	IEC 60664-1

Mounting

Mounting type	Pluggable (slot)
---------------	------------------

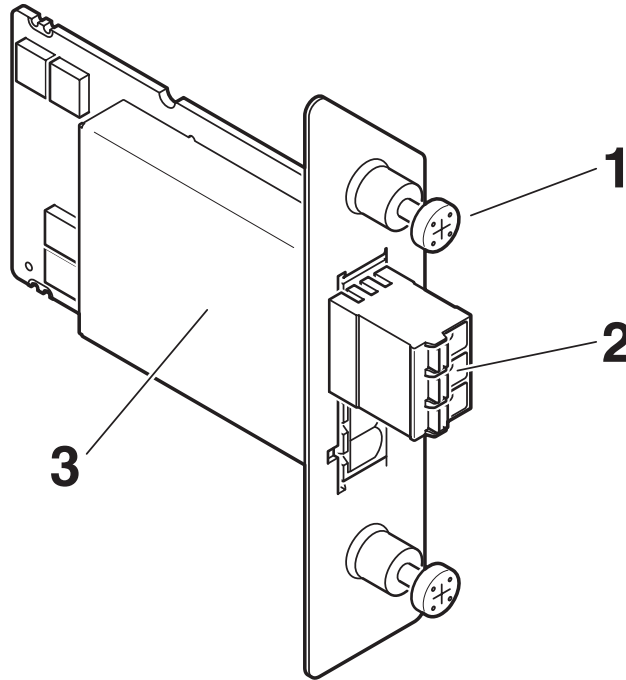
TC EXTENDER PT-IQ-1S - Surge protection plug

2702257

<https://www.phoenixcontact.com/us/products/2702257>

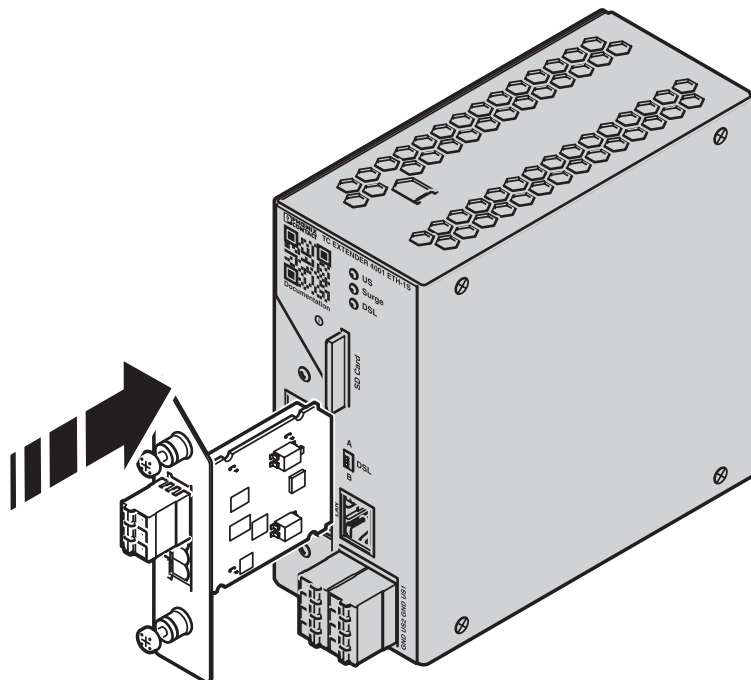
Drawings

Schematic diagram



Function elements

Schematic diagram



Replacement of protection module

TC EXTENDER PT-IQ-1S - Surge protection plug



2702257

<https://www.phoenixcontact.com/us/products/2702257>

Classifications

ECLASS

ECLASS-13.0	27171592
ECLASS-15.0	27171592

ETIM

ETIM 9.0	EC002497
----------	----------

UNSPSC

UNSPSC 21.0	39121600
-------------	----------

TC EXTENDER PT-IQ-1S - Surge protection plug



2702257

<https://www.phoenixcontact.com/us/products/2702257>

Environmental product compliance

EU RoHS

Fulfills EU RoHS substance requirements	Yes
Exemption	7(c)-I

China RoHS

Environment friendly use period (EFUP)	EFUP-50
	An article-related China RoHS declaration table can be found in the download area for the respective article under "Manufacturer declaration". For all articles with EFUP-E, no China RoHS declaration table issued and required.

EU REACH SVHC

REACH candidate substance (CAS No.)	2,2',6,6'-tetrabromo-4,4'-isopropylidenediphenol(CAS: 79-94-7)
-------------------------------------	--

Phoenix Contact 2026 © - all rights reserved
<https://www.phoenixcontact.com>

Phoenix Contact USA
586 Fulling Mill Road
Middletown, PA 17057, United States
(+717) 944-1300
info@phoenixcon.com