

AXL F BK ETH NET2 - Bus coupler

2702177

<https://www.phoenixcontact.com/us/products/2702177>

Please be informed that the data shown in this PDF document is generated from our online catalog. Please find the complete data in the user documentation. Our general terms of use for downloads are valid.



Axioline F, Bus coupler, Ethernet (2 networks), RJ45 jack, transmission speed in the local bus: 100 Mbps, degree of protection: IP20, including bus base module and Axioline F connector

Product description

The bus coupler represents the link between two Ethernet networks (Modbus/TCP) and the Axioline F system. It offers the option of isolated, simultaneous communication in two different networks in order to redundantly create the network infrastructure between the controller and bus coupler. Up to 63 Axioline F devices can be connected to the bus coupler.

Your advantages

- 2 separate Ethernet ports (without integrated switch)
- 2 IP addresses
- Transmission speed of 10 Mbps and 100 Mbps
- Rotary coding switches for setting the IP address assignment and other functions
- Modbus/TCP (UDP) support
- BootP and DHCP
- Firmware can be updated
- Runtime in the bus coupler is negligible (almost 0 μ s) (for Modbus/UDP)
- Typical cycle time of the Axioline F local bus is around 10 μ s

Commercial data

Item number	2702177
Packing unit	1 pc
Note	Made to order (non-returnable)
Sales key	DR02
Product key	DRI21B
GTIN	4055626008417
Weight per piece (including packing)	229.1 g
Weight per piece (excluding packing)	177 g
Customs tariff number	85176200
Country of origin	DE

AXL F BK ETH NET2 - Bus coupler

2702177

<https://www.phoenixcontact.com/us/products/2702177>

Technical data

Dimensions

Dimensional drawing	
Width	45 mm
Height	126.1 mm
Depth	74 mm
Note on dimensions	The depth applies when a TH 35-7.5 DIN rail is used (in accordance with EN 60715).

Material specifications

Color	traffic gray A RAL 7042
-------	-------------------------

Interfaces

Supported protocols	Modbus/TCP (UDP)
	SNMP
	HTTP
	TFTP
	FTP
	BootP
	DHCP

Ethernet (2 networks)

Number of interfaces	2
Connection method	RJ45 jack
Note on the connection method	Auto negotiation and autocrossing
Transmission speed	10/100 Mbps (Half or full duplex mode (automatic detection, can be adjusted manually))
Transmission physics	Ethernet in RJ45 twisted pair

Axioline F local bus

Number of interfaces	1
Connection method	Bus base module
Transmission speed	100 Mbps

Service

Number of interfaces	1
Connection method	Micro USB type B

Fieldbus: Local bus gateway

AXL F BK ETH NET2 - Bus coupler



2702177

<https://www.phoenixcontact.com/us/products/2702177>

Max. number of local bus devices	63 (Consider the logic current consumed by the devices)
----------------------------------	---

System properties

System limits

Number of supported devices	max. 63 (per station)
Number of local bus devices that can be connected	max. 63

Programming data

Register length (master)	1484 Byte
--------------------------	-----------

Product properties

Product type	I/O component
Product family	Axioline F
Type	block modular
Mounting position	any (observe temperature derating)
Scope of supply	including bus base module and Axioline F connector

Insulation characteristics

Overvoltage category	II (IEC 60664-1, EN 60664-1)
Pollution degree	2 (IEC 60664-1, EN 60664-1)

Electrical properties

Maximum power dissipation for nominal condition	4 W
---	-----

Potentials: Communications power U_L feed-in (the supply of the Axioline F local bus U_{BUS} is generated from U_L)

Supply voltage	24 V DC
Supply voltage range	19.2 V DC ... 30 V DC (including all tolerances, including ripple)
Current draw	max. 583 mA (with 2 A at U_{BUS} for the I/Os and $U_L = 24$ V)
Current consumption	typ. 105 mA (without I/Os and $U_L = 24$ V)
Protective circuit	Surge protection; electronic Reverse polarity protection; electronic

Potentials: Axioline F local bus supply (U_{BUS})

Supply voltage	5 V DC (via bus base module)
Power supply unit	2 A

Connection data

Connection technology

Connection name	Axioline F connector
Note on the connection method	Please observe the information provided on conductor cross-sections in the "Axioline F: system and installation" user manual.

Axioline F connector

Connection method	Push-in connection
Note on the connection method	Please observe the information provided on conductor cross-sections in the "Axioline F: system and installation" user manual.

AXL F BK ETH NET2 - Bus coupler



2702177

<https://www.phoenixcontact.com/us/products/2702177>

Conductor cross-section, rigid	0.2 mm ² ... 1.5 mm ²
Conductor cross-section, flexible	0.2 mm ² ... 1.5 mm ²
Conductor cross-section AWG	24 ... 16
Stripping length	8 mm

Environmental and real-life conditions

Ambient conditions

Ambient temperature (operation)	-25 °C ... 60 °C (Mounting position: panel mounting on horizontal DIN rail)
	-25 °C ... 55 °C (Mounting position: any)
Degree of protection	IP20
Air pressure (operation)	70 kPa ... 106 kPa (up to 3000 m above sea level)
Air pressure (storage/transport)	70 kPa ... 106 kPa (up to 3000 m above sea level)
Ambient temperature (storage/transport)	-40 °C ... 85 °C
Permissible humidity (operation)	5 % ... 95 % (non-condensing)
Permissible humidity (storage/transport)	5 % ... 95 % (non-condensing)

Mechanical test

Vibration resistance in accordance with EN 60068-2-6/IEC 60068-2-6	5g
Shock in accordance with EN 60068-2-27/IEC 60068-2-27	30g
Continuous shock in accordance with EN 60068-2-27/IEC 60068-2-27	10g

Standards and regulations

Protection class	III (IEC 61140, EN 61140, VDE 0140-1)
------------------	---------------------------------------

Mounting

Mounting type	DIN rail mounting
	DIN rail mounting
Mounting position	any (observe temperature derating)

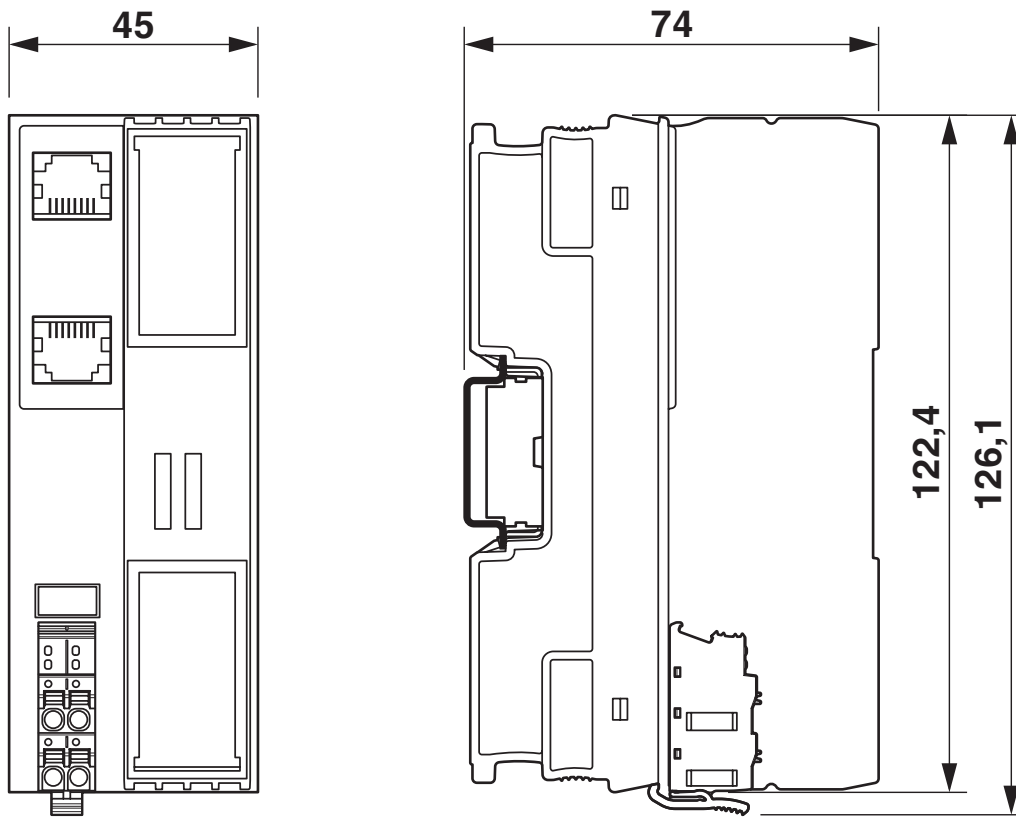
AXL F BK ETH NET2 - Bus coupler

2702177

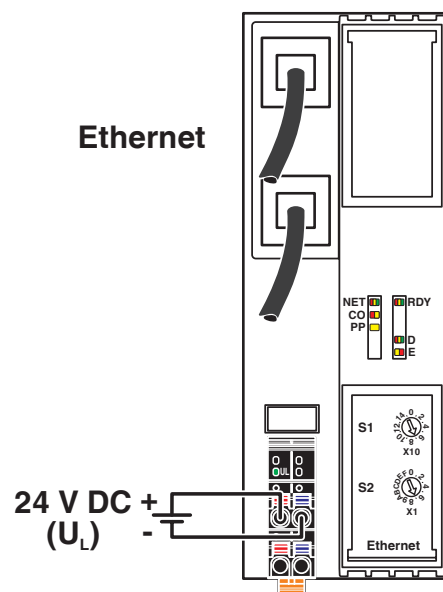
<https://www.phoenixcontact.com/us/products/2702177>

Drawings

Dimensional drawing



Connection diagram

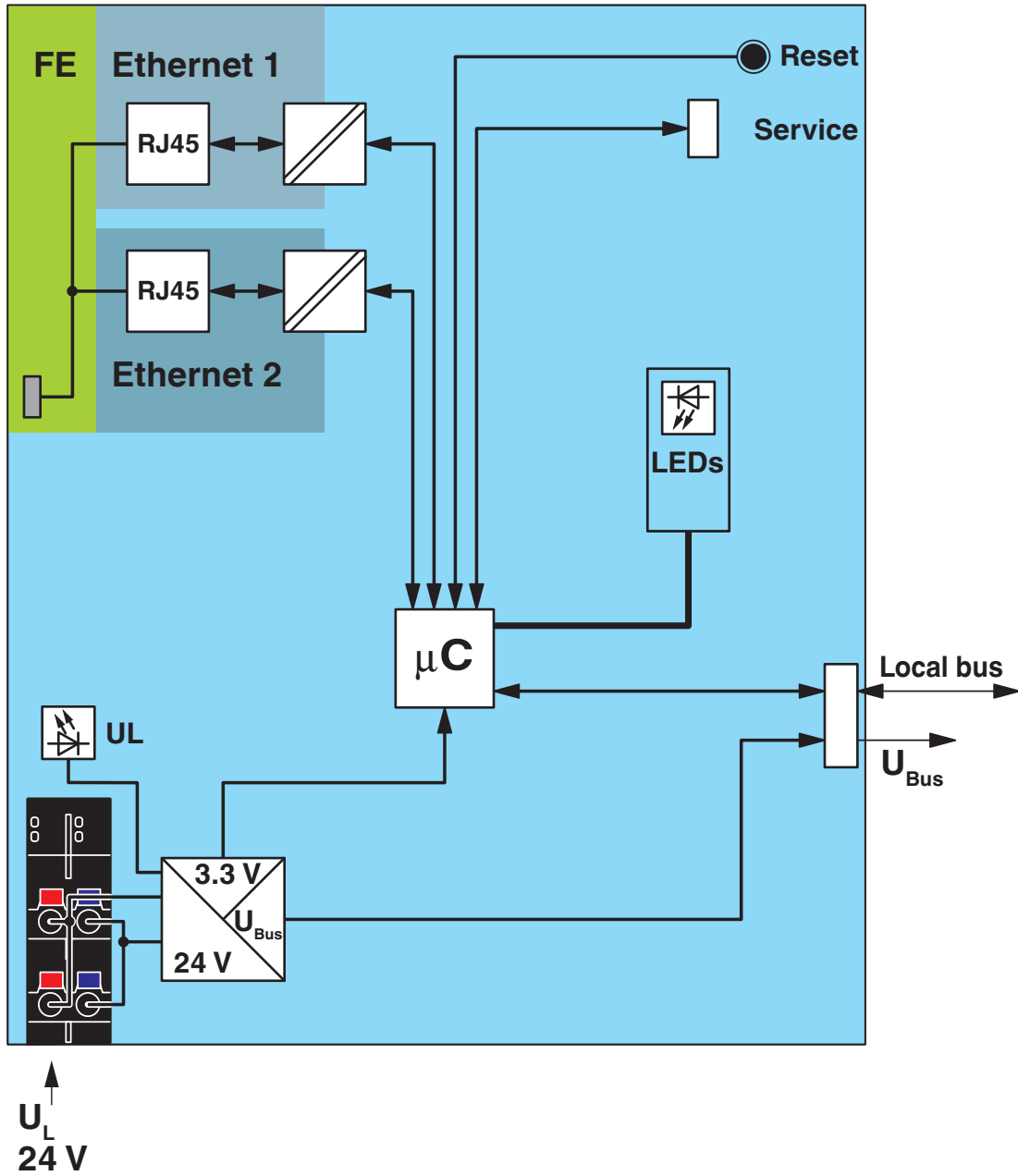


AXL F BK ETH NET2 - Bus coupler

2702177

<https://www.phoenixcontact.com/us/products/2702177>

Block diagram



Internal wiring of the terminal points

AXL F BK ETH NET2 - Bus coupler

2702177

<https://www.phoenixcontact.com/us/products/2702177>



Classifications

UNSPSC

UNSPSC 21.0	32151600
-------------	----------

AXL F BK ETH NET2 - Bus coupler



2702177

<https://www.phoenixcontact.com/us/products/2702177>

Environmental product compliance

EU RoHS

Fulfills EU RoHS substance requirements	Yes
Exemption	7(a), 7(c)-I

China RoHS

Environment friendly use period (EFUP)	EFUP-E
	No hazardous substances above the limits

EU REACH SVHC

REACH candidate substance (CAS No.)	Lead(CAS: 7439-92-1)
-------------------------------------	----------------------

Phoenix Contact 2026 © - all rights reserved

<https://www.phoenixcontact.com>

Phoenix Contact USA
586 Fulling Mill Road
Middletown, PA 17057, United States
(+717) 944-1300
info@phoenixcon.com