

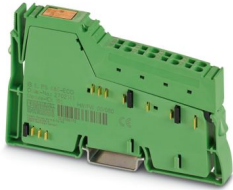
IB IL RS 485-ECO - Communication module



2702141

<https://www.phoenixcontact.com/us/products/2702141>

Please be informed that the data shown in this PDF document is generated from our online catalog. Please find the complete data in the user documentation. Our general terms of use for downloads are valid.



Inline, Communication module, Serial data transmission; interface: RS-485: 1; Transmission speed: 110 bps ... 38400 bps; transmission speed in the local bus: 500 kbps; degree of protection: IP20; Communication via process data; Scope of supply: including Inline connector

Product description

The terminal is designed for use within an Inline station. The terminal is used to operate standard I/O devices with serial interfaces on a bus system. Inline ECO terminals are approved for the temperature range from 0°C to +55°C. The electronics base and Inline connector are supplied as standard.

Your advantages

- One serial input and output channel in RS-485 format
- Data is transmitted in transparent mode
- Transmission speed can be set up to 38400 bps
- Number of data bits, stop bits and parity can be set
- Parameterization and data exchange via process data

Commercial data

Item number	2702141
Packing unit	1 pc
Minimum order quantity	1 pc
Sales key	DR01
Product key	DRI151
GTIN	4046356983235
Weight per piece (including packing)	74.4 g
Weight per piece (excluding packing)	84.8 g
Customs tariff number	85389099
Country of origin	DE

Technical data

Dimensions

Dimensional drawing	
Width	12.2 mm
Height	119.8 mm
Depth	71.5 mm

Notes

Note on application

Note on application	Only for industrial use
---------------------	-------------------------

Interfaces

Inline local bus

Number of interfaces	2
Connection method	Inline data jumper
Transmission speed	500 kbps

RS-485

Number of interfaces	1
Connection method	Spring-cage connection
Note on the connection method	Use shielded cables.
Transmission speed	110 bps ... 38400 bps (can be parameterized)
Transmission physics	Copper
Protocols supported	Transparent
Termination resistor	typ. 120 Ω (active, integrated)
Data bits	6 ... 8
Stop bits	1 or 2
Input buffer	4 kByte
Output buffer	1 kByte

System properties

Module

ID code (dec.)	191
ID code (hex)	BF
Length code (hex)	07
Length code (dec)	07

IB IL RS 485-ECO - Communication module



2702141

<https://www.phoenixcontact.com/us/products/2702141>

Process data channel	112 bit
Input address area	14 Byte
Output address area	14 Byte
Register length	112 bit
Required parameter data	16 Byte
Required configuration data	5 Byte

Product properties

Product type	I/O component
Product family	Inline
Type	modular
Installation location	Control cabinet
Scope of supply	including Inline connector
Special properties	Communication via process data

Insulation characteristics

Overvoltage category	II (IEC 60664-1, EN 60664-1)
Pollution degree	2 (IEC 60664-1, EN 60664-1)

Electrical properties

Maximum power dissipation for nominal condition	0.7 W
---	-------

Potentials: Communications power (U_L)

Supply voltage	7.5 V DC (via voltage jumper)
Current draw	max. 85 mA typ. 70 mA

Electrical isolation/isolation of the voltage ranges

Test voltage: Serial interface/7.5 V supply (bus logic)	500 V AC, 50 Hz, 1 min
Test voltage: Serial interface/24 V supply U_M	500 V AC, 50 Hz, 1 min
Test voltage: Serial interface/functional ground	500 V AC, 50 Hz, 1 min
Test voltage: 7.5 V supply (bus logic)/functional ground	500 V AC, 50 Hz, 1 min
Test voltage: 24 V supply (U_M)/functional ground	500 V AC, 50 Hz, 1 min

Connection data

Connection technology

Connection name	Inline connector
-----------------	------------------

Inline connector

Connection method	Spring-cage connection
Conductor cross-section, rigid	0.08 mm ² ... 1.5 mm ²
Conductor cross-section, flexible	0.08 mm ² ... 1.5 mm ²
Conductor cross-section AWG	28 ... 16
Stripping length	8 mm

Environmental and real-life conditions

2702141

<https://www.phoenixcontact.com/us/products/2702141>

Ambient conditions

Ambient temperature (operation)	0 °C ... 55 °C
Degree of protection	IP20
Air pressure (operation)	70 kPa ... 106 kPa (up to 3000 m above sea level)
Air pressure (storage/transport)	70 kPa ... 106 kPa (up to 3000 m above sea level)
Ambient temperature (storage/transport)	-25 °C ... 85 °C
Permissible humidity (operation)	10 % ... 95 % (non-condensing)
Permissible humidity (storage/transport)	10 % ... 95 % (non-condensing)

Standards and regulations

Protection class	III (IEC 61140, EN 61140, VDE 0140-1)
------------------	---------------------------------------

Mounting

Mounting type	DIN rail mounting
---------------	-------------------

IB IL RS 485-ECO - Communication module

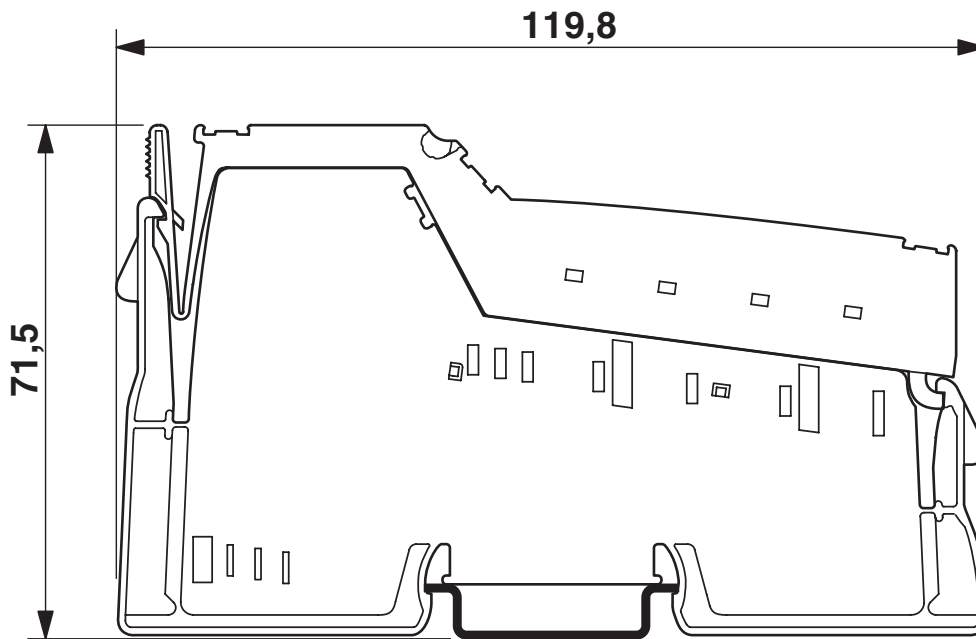


2702141

<https://www.phoenixcontact.com/us/products/2702141>

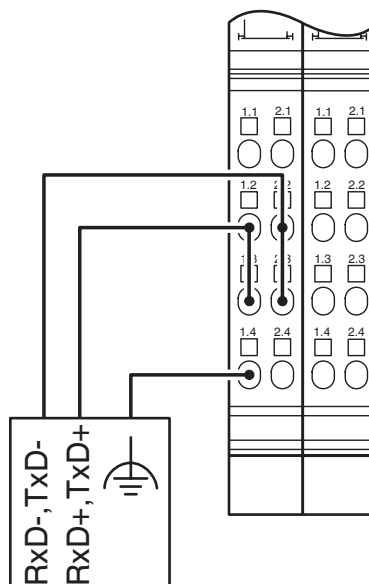
Drawings

Dimensional drawing



Dimensions

Connection diagram



Inline terminal as network end point

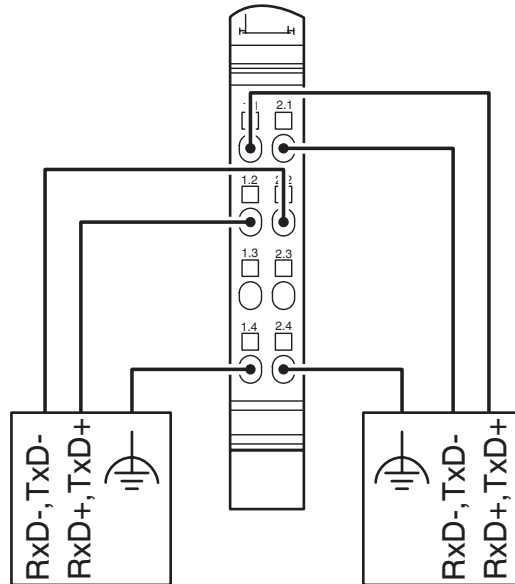
IB IL RS 485-ECO - Communication module

2702141

<https://www.phoenixcontact.com/us/products/2702141>



Connection diagram



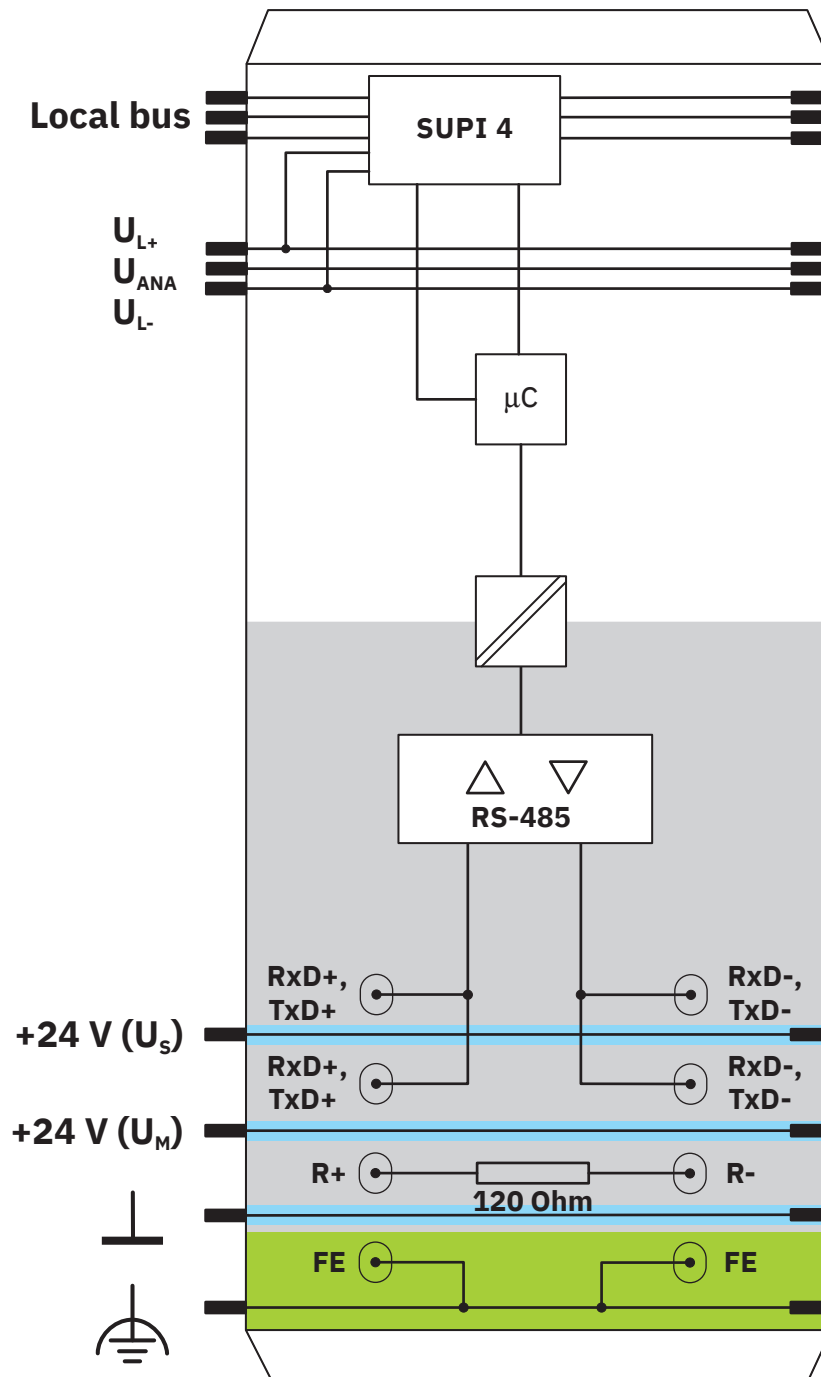
Inline terminal in the network center

IB IL RS 485-ECO - Communication module

2702141

<https://www.phoenixcontact.com/us/products/2702141>

Block diagram



Internal wiring of the terminal points

IB IL RS 485-ECO - Communication module



2702141

<https://www.phoenixcontact.com/us/products/2702141>

Approvals

To download certificates, visit the product detail page: <https://www.phoenixcontact.com/us/products/2702141>



cULus Listed

Approval ID: E238705

IB IL RS 485-ECO - Communication module



2702141

<https://www.phoenixcontact.com/us/products/2702141>

Classifications

ECLASS

ECLASS-13.0	27242608
ECLASS-15.0	27242608

ETIM

ETIM 10.0	EC001604
-----------	----------

UNSPSC

UNSPSC 21.0	32151600
-------------	----------

2702141

<https://www.phoenixcontact.com/us/products/2702141>

Environmental product compliance

EU RoHS

Fulfills EU RoHS substance requirements	Yes
Exemption	7(c)-I

China RoHS

Environment friendly use period (EFUP)	EFUP-50
	An article-related China RoHS declaration table can be found in the download area for the respective article under "Manufacturer declaration". For all articles with EFUP-E, no China RoHS declaration table issued and required.

EU REACH SVHC

REACH candidate substance (CAS No.)	No substance above 0.1 wt%
-------------------------------------	----------------------------

Phoenix Contact 2026 © - all rights reserved
<https://www.phoenixcontact.com>

Phoenix Contact USA
586 Fulling Mill Road
Middletown, PA 17057, United States
(+717) 944-1300
info@phoenixcon.com