

ANT-OMNI-868-01 - Antenna

2702136

<https://www.phoenixcontact.com/us/products/2702136>

Please be informed that the data shown in this PDF document is generated from our online catalog. Please find the complete data in the user documentation. Our general terms of use for downloads are valid.



Omnidirectional antenna for wall or mast mounting, 868 MHz, gain: 4 dBi, degree of protection: IP67, seawater-resistant, connection: N (female), incl. mounting bracket and mast clamps, ATEX and IECEx approval

Your advantages

- Ideally suited for stationary 868 MHz applications
- For use in potentially explosive areas
- Resistant to salt water

Commercial data

Item number	2702136
Packing unit	1 pc
Minimum order quantity	1 pc
Sales key	DN99
Product key	DNC6A2
GTIN	4046356995863
Weight per piece (including packing)	497 g
Weight per piece (excluding packing)	482 g
Customs tariff number	85177100
Country of origin	TW

Technical data

Notes

Note on application

Note on application	Only for industrial use
---------------------	-------------------------

Utilization restriction

CCCex note	Use in potentially explosive areas is not permitted in China.
------------	---------------------------------------------------------------

Product properties

Product type	Antenna
Scope of supply	included mounting bracket and mast clamps
Radiation characteristics	Omnidirectional
Gain	4 dBi
Vertical beamwidth	30 °
Horizontal beamwidth	360 °
Polarization	Linear vertical

Electrical properties

Frequency band	868 MHz
Frequency range	868 MHz ... 870 MHz
Impedance	50 Ω
Maximum capacity	15.00 W
Voltage standing wave ratio VSWR in a 50 Ω system	≤ 2.00

Connection data

Connection technology

Connection method	N (female)
Outside diameter	30 mm ... 45 mm (Mast)

Ex data

Safety data

Input voltage U_i	max. 30 V
Input current I_i	max. 600 mA
Input power P_i	0.79 W (Maximum HF input power, 29 dBm, group IIC)
	1.38 W (Maximum HF input power, 31.4 dBm, group IIB)
	2.34 W (Maximum HF input power, 33.7 dBm, group IIA)
Max. internal inductance L_i	negligible
Max. internal capacitance C_i	negligible

Dimensions

Height	620 mm
Diameter	24 mm

ANT-OMNI-868-01 - Antenna



2702136

<https://www.phoenixcontact.com/us/products/2702136>

External dimensions

Outside diameter	30 mm ... 45 mm (Mast)
------------------	------------------------

Material specifications

Color	gray (RAL 7042)
	gray white (RAL 9002)
Material (Radom)	PC (glass-fiber reinforced)
Material (Holder)	PC (glass-fiber reinforced)
Material (U-bolt)	Stainless steel V2A

Cable/line

Other resistance	salt water resistant
------------------	----------------------

Environmental and real-life conditions

Ambient conditions

Degree of protection	IP67
Ambient temperature (operation)	-40 °C ... 75 °C
Ambient temperature (storage/transport)	-40 °C ... 85 °C
Air pressure (operation)	80 kPa ... 110 kPa

Approvals

CE

Certificate	CE-compliant
-------------	--------------

ATEX

Identification	⊕ II 1G Ex ia IIC T6 Ga
Certificate	IBExU14ATEX1116 X
Note	Please follow the special installation instructions in the documentation!

IECEX

Identification	Ex ia IIC T6 Ga
Certificate	IECEX IBE 14.0039X

Standards and regulations

Other resistance	salt water resistant
------------------	----------------------

Explosive atmospheres

Standard designation	Ex areas, essential requirements
Standards/specifications	EN 60079-0

Explosive atmospheres

Standard designation	Ex areas, intrinsic safety
Standards/specifications	EN 60079-11

ANT-OMNI-868-01 - Antenna



2702136

<https://www.phoenixcontact.com/us/products/2702136>

Mounting

Mounting type	Panel mounting
	Mast mounting
Assembly note	Outdoors and indoors

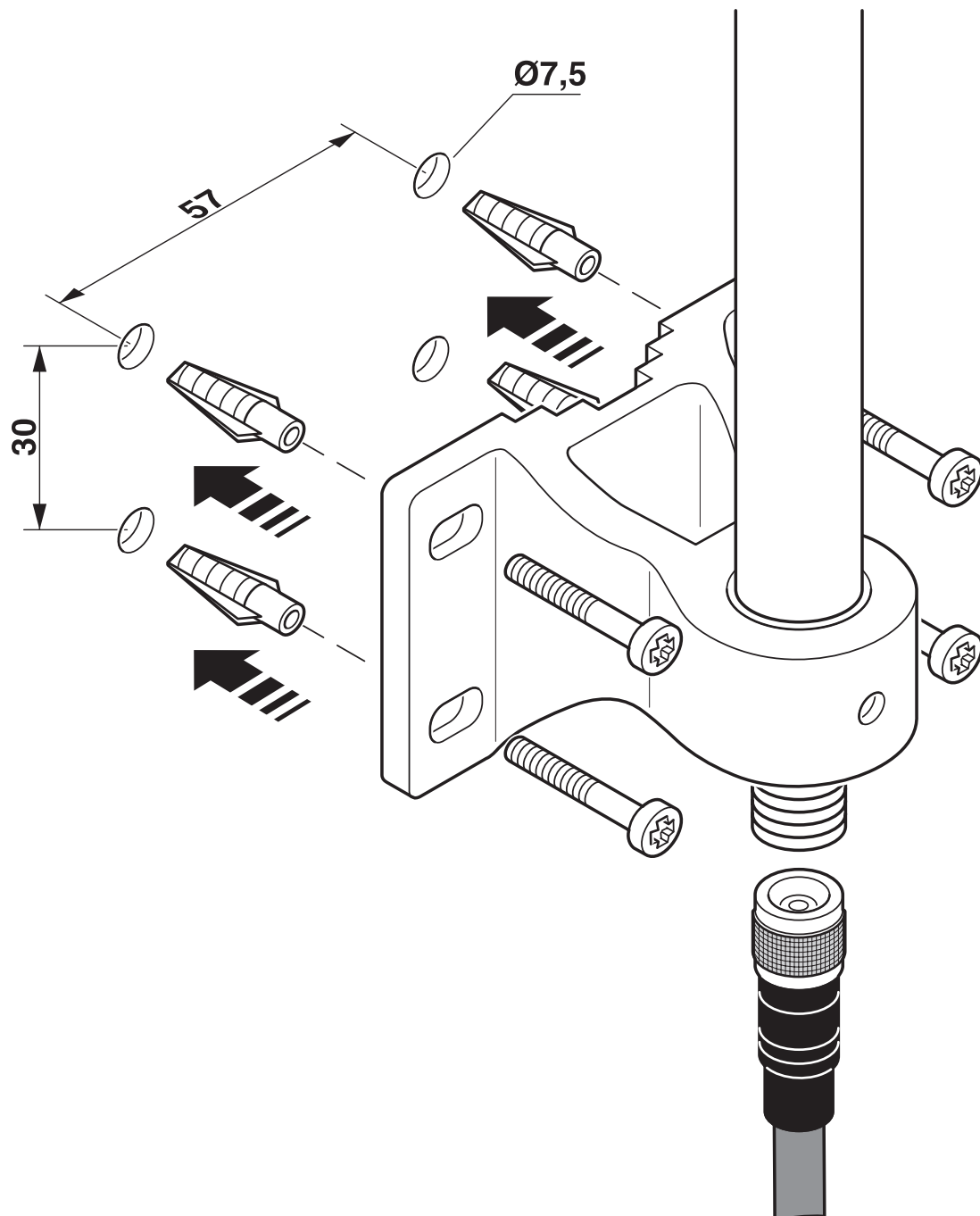
ANT-OMNI-868-01 - Antenna

2702136

<https://www.phoenixcontact.com/us/products/2702136>

Drawings

Schematic diagram



Panel mounting

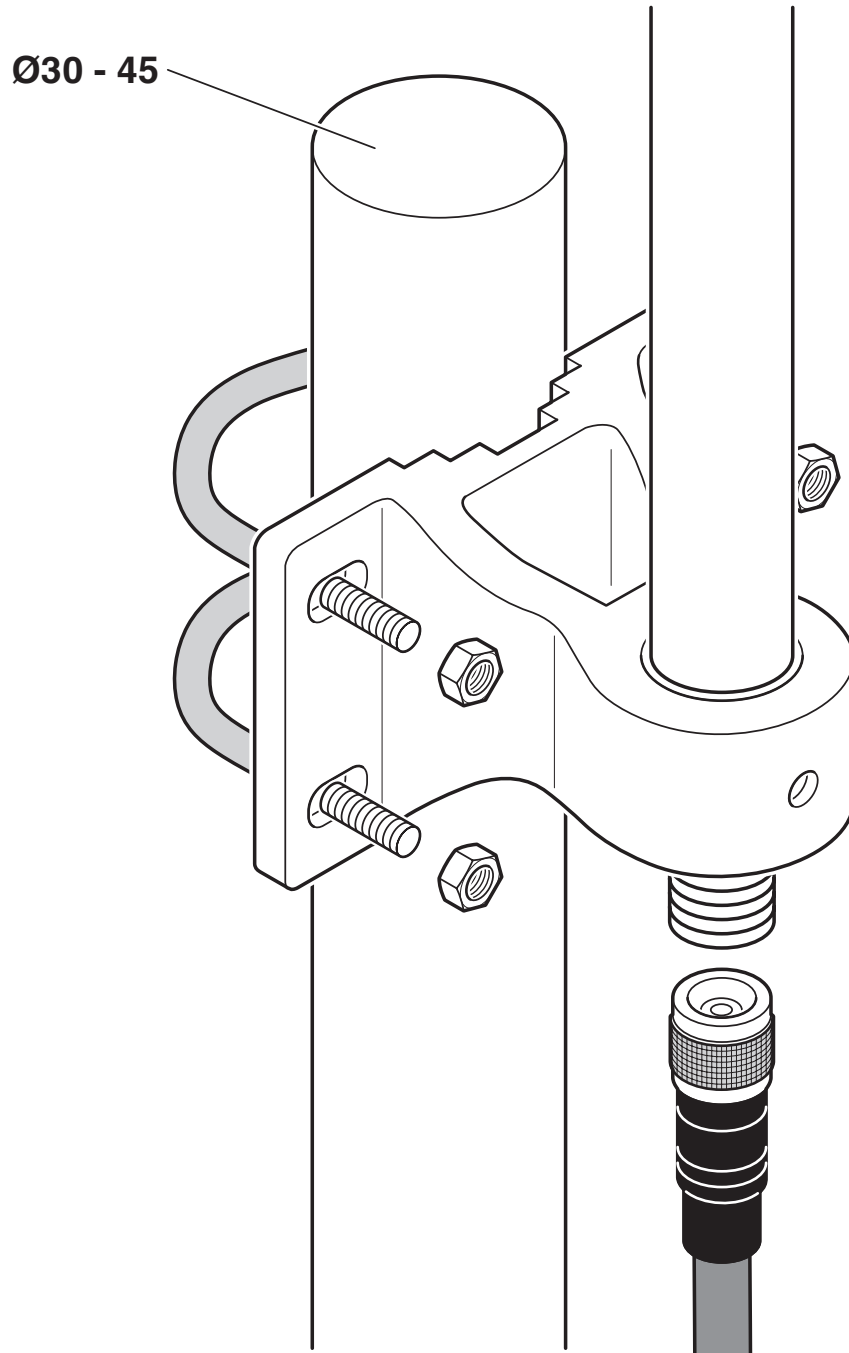
ANT-OMNI-868-01 - Antenna

2702136

<https://www.phoenixcontact.com/us/products/2702136>



Schematic diagram



Mast mounting

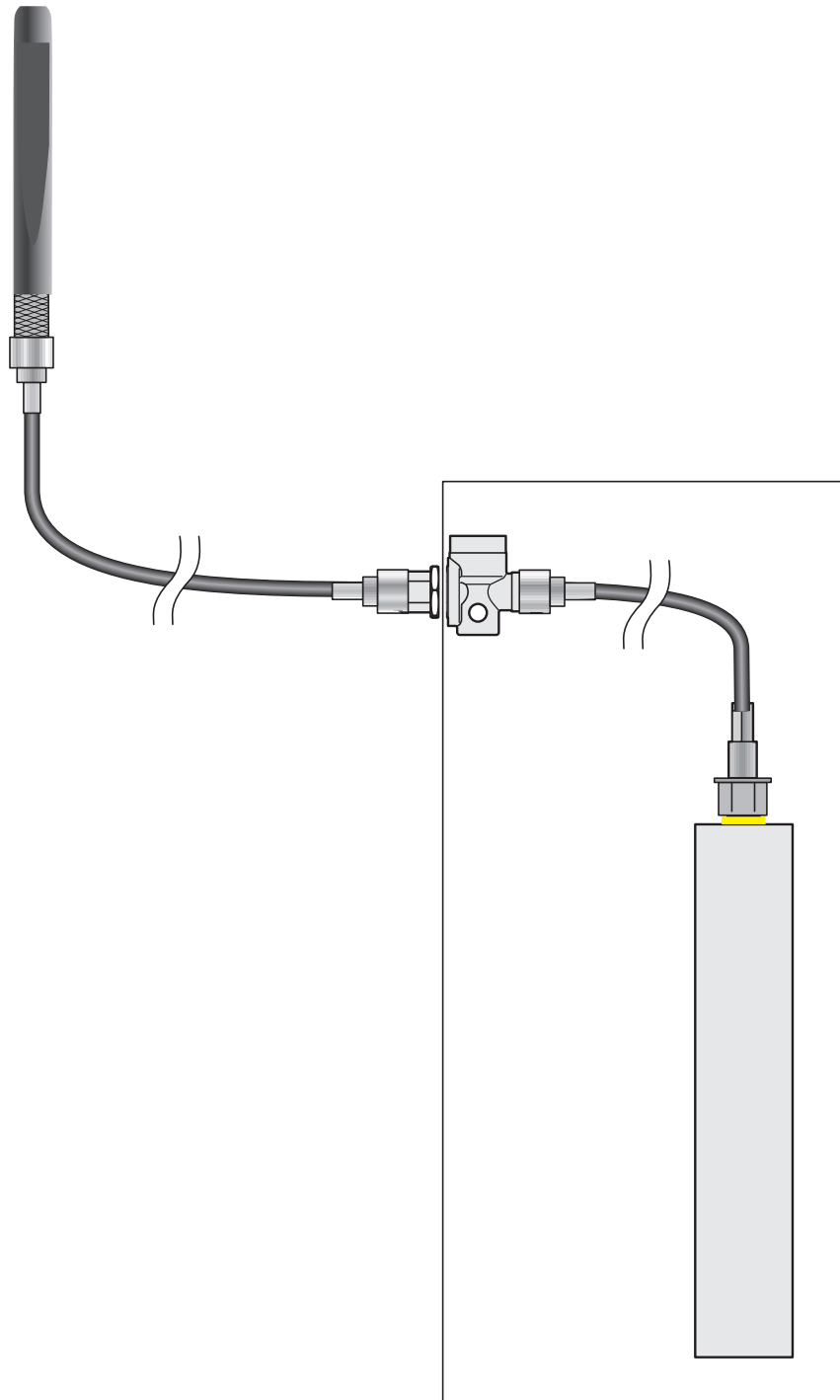
ANT-OMNI-868-01 - Antenna

2702136

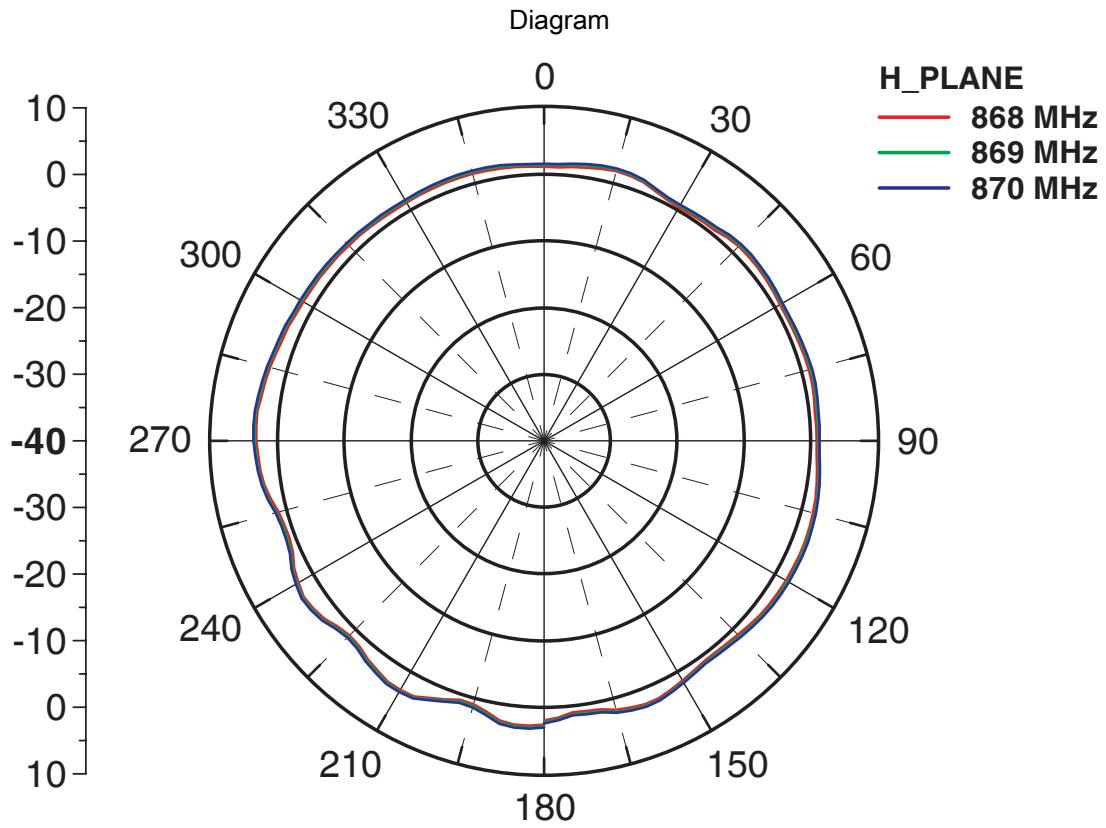
<https://www.phoenixcontact.com/us/products/2702136>



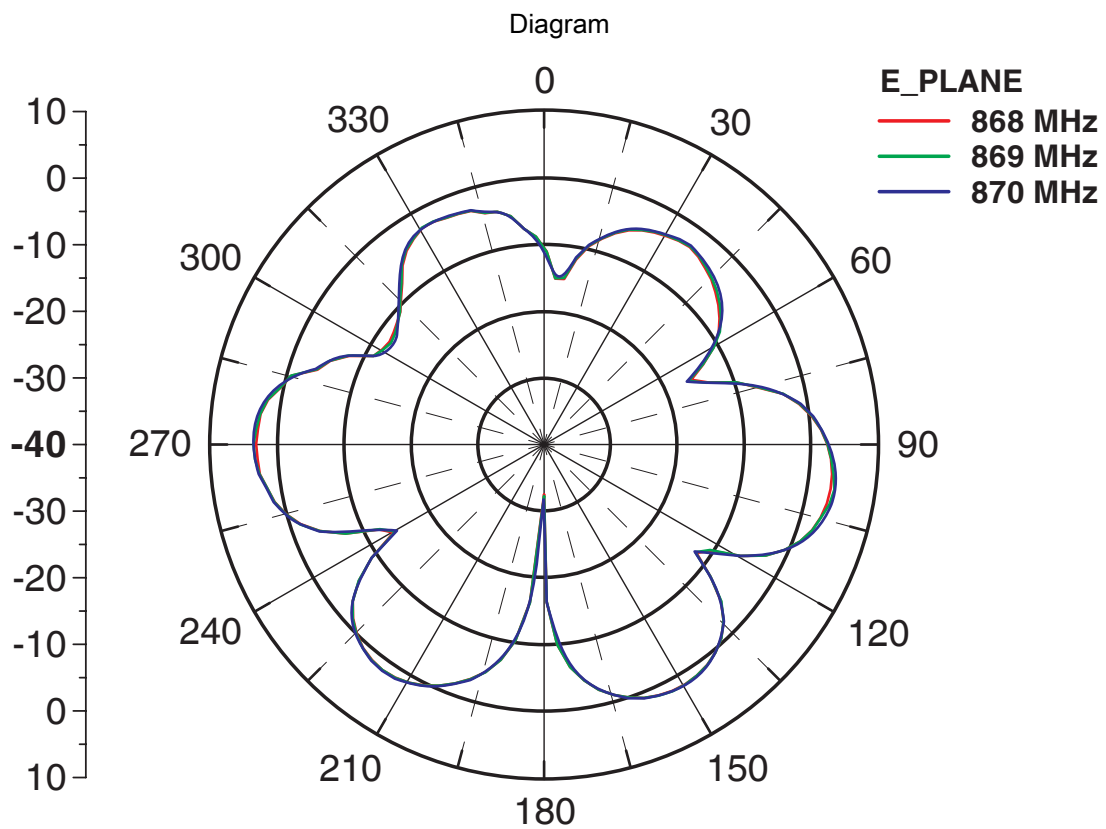
Schematic diagram



Installation example (antenna cable and surge protection available as accessories)



Horizontal



Vertical

ANT-OMNI-868-01 - Antenna



2702136

<https://www.phoenixcontact.com/us/products/2702136>

Approvals

To download certificates, visit the product detail page: <https://www.phoenixcontact.com/us/products/2702136>



IECEx

Approval ID: IECEx IBE 14.0039X



ATEX

Approval ID: IBExU14ATEX1116 X

ANT-OMNI-868-01 - Antenna



2702136

<https://www.phoenixcontact.com/us/products/2702136>

Classifications

ECLASS

ECLASS-13.0	19070105
ECLASS-15.0	19070105

ETIM

ETIM 10.0	EC001698
-----------	----------

UNSPSC

UNSPSC 21.0	43223100
-------------	----------

Environmental product compliance

EU RoHS

Fulfills EU RoHS substance requirements	Yes
Exemption	6(c)

China RoHS

Environment friendly use period (EFUP)	EFUP-50
	An article-related China RoHS declaration table can be found in the download area for the respective article under "Manufacturer declaration". For all articles with EFUP-E, no China RoHS declaration table issued and required.

EU REACH SVHC

REACH candidate substance (CAS No.)	Lead(CAS: 7439-92-1)
SCIP	960ecf91-e715-450a-9d9d-c76a8be12acc

EF3.1 Climate Change

CO2e kg	4.9 kg CO2e
---------	-------------