

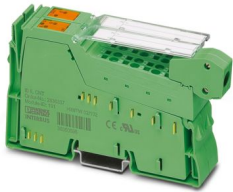
# IB IL CNT-XC-PAC - Function module



2702134

<https://www.phoenixcontact.com/us/products/2702134>

Please be informed that the data shown in this PDF document is generated from our online catalog. Please find the complete data in the user documentation. Our general terms of use for downloads are valid.



The figure shows the standard item

Inline, Function module, Counter input; Counter input for 24 V signals: 1; Control input for 24 V signals: 1; Switching output: 1, 24 V DC (0.5 A); transmission speed in the local bus: 500 kbps; degree of protection: IP20; Extreme conditions version; Scope of supply: including Inline connectors and marking fields

## Product description

The terminal is designed for use within an Inline station. The counter terminal acquires and processes fast pulse sequences from sensors. It has a counter input (source), a control input (gate), and a switching output that can be freely parameterized. The switching output is set independently of the terminal. Fast response times can therefore be achieved, which are independent of both the bus and controller. The terminal can be operated in four different operating modes: frequency measurement, event counting, time measurement, and pulse generation (pulse generator). Thanks to special engineering measures and tests, the terminal can be used under extreme ambient conditions.

## Your advantages

- 1 counter input
- 1 control input
- 1 freely parameterizable switching output
- Four operating modes: event counting, time or state-controlled frequency measurement, time measurement (period or pulse length), and pulse generator
- Processing of 5 V or 24 V signals
- Input frequency of up to 100 kHz
- 16-bit counter value for time measurement
- 24-bit counter value for event counting and frequency measurement
- Can be used under extreme ambient conditions
- Extended temperature range of -40 °C ... +70 °C (see "Tested successfully: use under extreme ambient conditions" in the data sheet)
- Coated PCBs

## Commercial data

Item number	2702134
Packing unit	1 pc
Minimum order quantity	1 pc
Sales key	DR01
Product key	DRI163
GTIN	4046356981798
Weight per piece (including packing)	177 g
Weight per piece (excluding packing)	130 g

# IB IL CNT-XC-PAC - Function module



2702134

<https://www.phoenixcontact.com/us/products/2702134>

Customs tariff number	85389099
Country of origin	DE

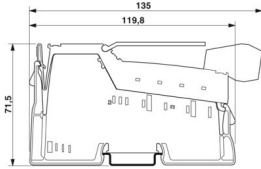
# IB IL CNT-XC-PAC - Function module

2702134

<https://www.phoenixcontact.com/us/products/2702134>

## Technical data

### Dimensions

Dimensional drawing	
Width	24.4 mm
Height	135 mm
Depth	71.5 mm

### Notes

#### Note on application

Note on application	Only for industrial use
---------------------	-------------------------

### Interfaces

#### Inline local bus

Number of interfaces	2
Connection method	Inline data jumper
Transmission speed	500 kbps
Transmission physics	Copper

### System properties

#### Module

ID code (dec.)	191
ID code (hex)	BF
Length code (hex)	02
Length code (dec)	02
Process data channel	32 bit
Input address area	4 Byte
Output address area	4 Byte
Register length	4 Byte
Required parameter data	1 Byte
Required configuration data	5 Byte

### Input data

#### Counter:

Input name	Counter input for 24 V signals
Connection method	Spring-cage connection

# IB IL CNT-XC-PAC - Function module



2702134

<https://www.phoenixcontact.com/us/products/2702134>

Connection technology	2-, 3-conductor
Number of inputs	1 (only one counter input can be used, either for 24 V or for 5 V signals)
Operating mode	Event counting, frequency/time measurement
Input voltage	24 V DC (Nominal voltage) 30 V DC (maximum)
Input voltage range "0" signal	0 V DC ... 5 V DC
Input voltage range "1" signal	15 V DC ... 30 V DC
Input frequency	max. 100 kHz
Input current	typ. 5 mA
Input resistance	approx. 5.7 kΩ

## Counter:

Input name	Counter input for 5 V signals
Connection method	Spring-cage connection
Connection technology	2-conductor (shielded), external 5 V supply
Number of inputs	1 (only one counter input can be used, either for 24 V or for 5 V signals)
Operating mode	Event counting, frequency/time measurement
Input voltage	5 V DC (Nominal voltage) 8 V DC (maximum)
Input voltage range "0" signal	0 V ... 1.5 V
Input voltage range "1" signal	3.5 V ... 8 V
Input frequency	max. 100 kHz
Input current	typ. 5 mA
Input resistance	approx. 1.7 kΩ

## Output data

### Digital:

Output name	Switching output
Connection method	Spring-cage connection
Connection technology	2-conductor
Number of outputs	1
Protective circuit	Short-circuit protection; Yes, short-circuit-proof (automatically switched on again) Overload protection
Output voltage	24 V DC (Nominal voltage)
Output current	max. 0.5 A (Nominal current)
Nominal load, inductive	max. 12 VA (1.2 H, 48 Ω)
Nominal load, lamp	max. 12 W
Nominal load, ohmic	max. 12 W (48 Ω)
Reverse voltage resistance to short pulses	Reverse voltage proof
Behavior in the event of ohmic overload	Auto restart after eliminating the overload
Behavior with inductive overload	Output can be destroyed
Behavior in the event of lamp overload	Auto restart after eliminating the overload

# IB IL CNT-XC-PAC - Function module



2702134

<https://www.phoenixcontact.com/us/products/2702134>

Overcurrent shut-down	min. 0.7 A
-----------------------	------------

## Product properties

Product type	I/O component
Product family	Inline
Type	modular
Scope of supply	including Inline connectors and marking fields
Operating mode	Process data operation with 2 words
Special properties	Extreme conditions version
Diagnostics messages	Sensor supply short-circuit Sensor supply overload

## Electrical properties

### Potentials: Communications power ( $U_L$ )

Supply voltage	7.5 V DC (via voltage jumper)
Current draw	max. 50 mA typ. 40 mA
Power consumption	max. 0.375 W (at $U_L$ )

### Potentials: Segment circuit supply ( $U_S$ )

Supply voltage	24 V DC (via voltage jumper)
Current draw	max. 1 A min. 0 A (without connected peripherals)

### Supply:

Designation	Power supply for sensors
Supply voltage	24 V DC (generated from segment supply $U_S$ )

### Electrical isolation/isolation of the voltage ranges

Test voltage: 7.5 V supply (bus logics)/24 V supply (I/O)	500 V AC, 50 Hz, 1 min
Test voltage: 7.5 V supply (bus logic)/functional ground	500 V AC, 50 Hz, 1 min
Test voltage: 24 V supply (I/O) / functional ground	500 V AC, 50 Hz, 1 min

## Connection data

### Connection technology

Connection name	Inline connector
-----------------	------------------

### Inline connector

Connection method	Spring-cage connection
Conductor cross-section, rigid	0.08 mm <sup>2</sup> ... 1.5 mm <sup>2</sup>
Conductor cross-section, flexible	0.08 mm <sup>2</sup> ... 1.5 mm <sup>2</sup>
Conductor cross-section AWG	28 ... 16
Stripping length	8 mm

## Environmental and real-life conditions

# IB IL CNT-XC-PAC - Function module



2702134

<https://www.phoenixcontact.com/us/products/2702134>

## Ambient conditions

Ambient temperature (operation)	-25 °C ... 55 °C (Standard) -40 °C ... 70 °C (Extended, see section "Tested successfully: use under extreme ambient conditions" in the data sheet.)
Degree of protection	IP20
Air pressure (operation)	70 kPa ... 106 kPa (up to 3000 m above sea level)
Air pressure (storage/transport)	70 kPa ... 106 kPa (up to 3000 m above sea level)
Ambient temperature (storage/transport)	-40 °C ... 85 °C
Permissible humidity (operation)	10 % ... 95 % (non-condensing)
Permissible humidity (storage/transport)	10 % ... 95 % (non-condensing)

## Standards and regulations

Protection class	III (IEC 61140, EN 61140, VDE 0140-1)
------------------	---------------------------------------

## Mounting

Mounting type	DIN rail mounting
---------------	-------------------

# IB IL CNT-XC-PAC - Function module

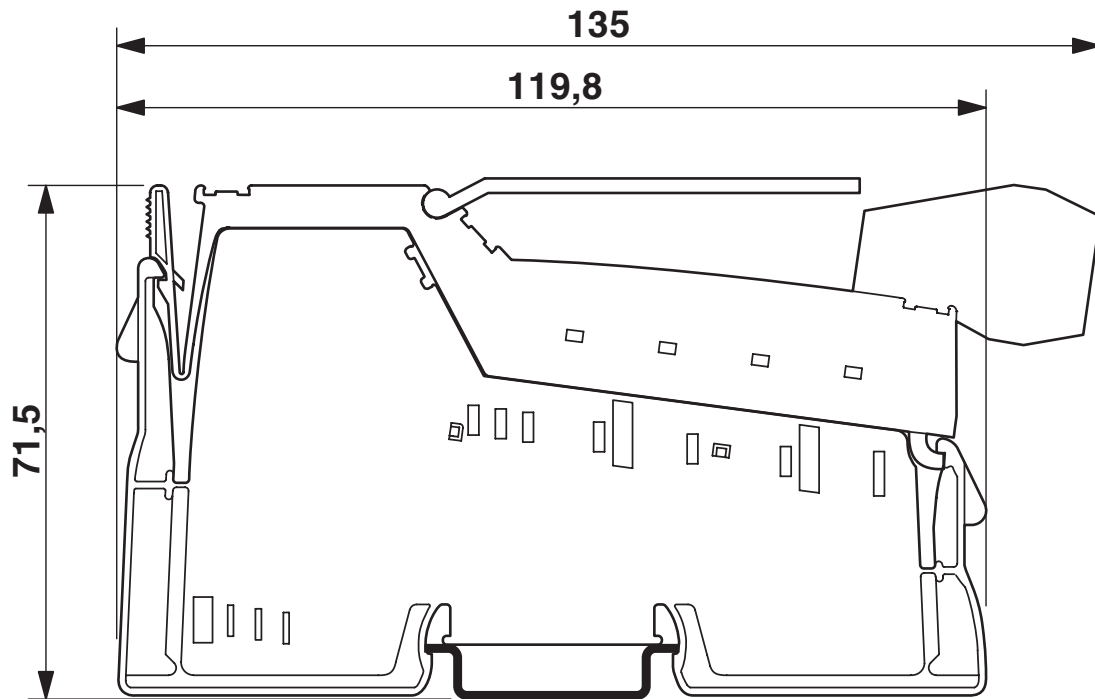


2702134

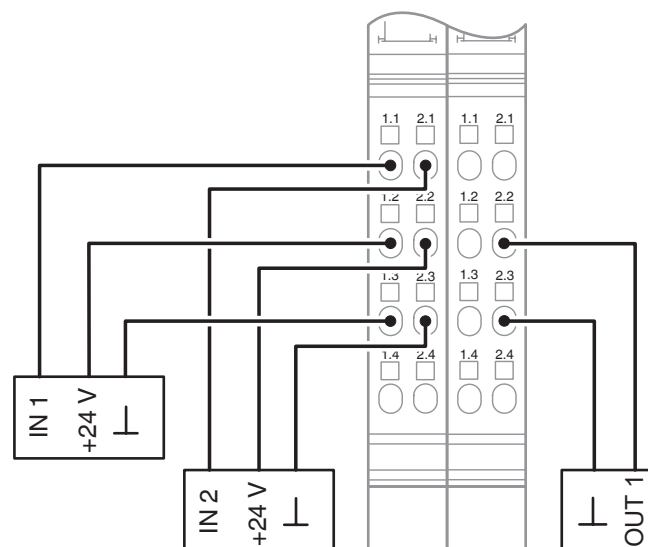
<https://www.phoenixcontact.com/us/products/2702134>

## Drawings

Dimensional drawing



Connection diagram

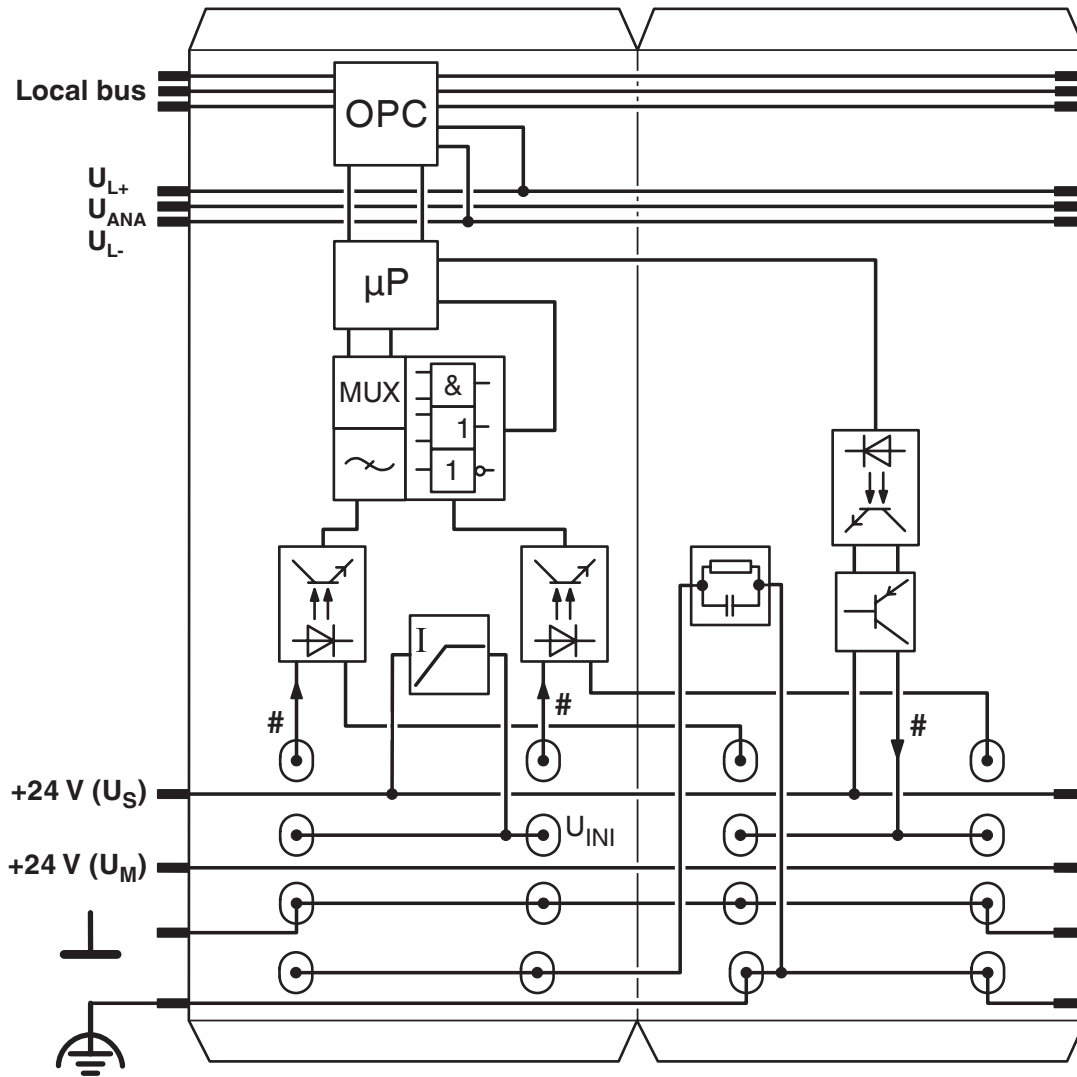


# IB IL CNT-XC-PAC - Function module

2702134

<https://www.phoenixcontact.com/us/products/2702134>

Block diagram



# IB IL CNT-XC-PAC - Function module



2702134

<https://www.phoenixcontact.com/us/products/2702134>

## Approvals

To download certificates, visit the product detail page: <https://www.phoenixcontact.com/us/products/2702134>



**cULus Recognized**

Approval ID: E140324

# IB IL CNT-XC-PAC - Function module



2702134

<https://www.phoenixcontact.com/us/products/2702134>

## Classifications

### ECLASS

ECLASS-13.0	27242605
ECLASS-15.0	27242605

### ETIM

ETIM 9.0	EC001601
----------	----------

### UNSPSC

UNSPSC 21.0	32151600
-------------	----------

2702134

<https://www.phoenixcontact.com/us/products/2702134>

## Environmental product compliance

### EU RoHS

Fulfills EU RoHS substance requirements	Yes
Exemption	7(a), 7(c)-I

### China RoHS

Environment friendly use period (EFUP)	EFUP-50
	An article-related China RoHS declaration table can be found in the download area for the respective article under "Manufacturer declaration". For all articles with EFUP-E, no China RoHS declaration table issued and required.

### EU REACH SVHC

REACH candidate substance (CAS No.)	Lead(CAS: 7439-92-1)
SCIP	07c6879f-b1ba-49fd-a16a-13d854212c28

Phoenix Contact 2026 © - all rights reserved

<https://www.phoenixcontact.com>

Phoenix Contact USA  
586 Fulling Mill Road  
Middletown, PA 17057, United States  
(+717) 944-1300  
[info@phoenixcon.com](mailto:info@phoenixcon.com)