

AXL F BK S3 - Bus coupler

2701686

<https://www.phoenixcontact.com/us/products/2701686>



Please be informed that the data shown in this PDF document is generated from our online catalog. Please find the complete data in the user documentation. Our general terms of use for downloads are valid.



Axioline F, Bus coupler, Sercos, RJ45 jack, transmission speed in the local bus: 100 Mbps, degree of protection: IP20, including bus base module and Axioline F connector

Product description

The bus coupler is intended for use within a third-generation Sercos® network. The bus coupler creates the link to the Axioline F I/O system and the industrial I/O signals connected to it. Up to 63 Axioline F devices can be connected to the bus coupler. A corresponding SDDML file is available for integrating the Axioline F station into the programming system. It can be downloaded at: www.phoenixcontact.com/product/2701686

Your advantages

- 2 Ethernet ports (with integrated switch)
- Rotary coding switches for setting the Sercos address
- Certified in accordance with Sercos V1.12
- Supports Sercos V1.31
- FSP-IO (Function Specific Profile-IO) for modular I/O devices
- Minimum Sercos III cycle time of 31.25 μ s
- 8 connections (max. 4 consumer and max. 4 producer connections)
- Cross communication is possible up to reaching the maximum number of connections
- Synchronization between fieldbus and local bus
- Typical cycle time of the Axioline F local bus is around 10 μ s
- Runtime in bus coupler is negligible (almost 0 μ s)
- Firmware can be updated
- Supports the operation of Axioline Smart Elements
- Supports passive Smart Elements (firmware version 1.35 or later)
- Supports IOL-CONF (firmware version 1.35 or later)

Commercial data

Item number	2701686
Packing unit	1 pc
Minimum order quantity	1 pc
Sales key	DR02
Product key	DRI21C
GTIN	4046356790109
Weight per piece (including packing)	211.5 g
Weight per piece (excluding packing)	177 g

AXL F BK S3 - Bus coupler

2701686

<https://www.phoenixcontact.com/us/products/2701686>



Customs tariff number	85176200
Country of origin	DE

AXL F BK S3 - Bus coupler

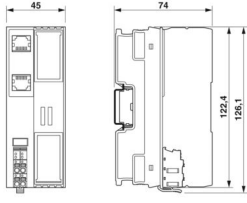
2701686

<https://www.phoenixcontact.com/us/products/2701686>



Technical data

Dimensions

Dimensional drawing	
Width	45 mm
Height	126.1 mm
Depth	74 mm
Note on dimensions	The depth applies when a TH 35-7.5 DIN rail is used (in accordance with EN 60715).

Notes

Note on application	
Note on application	Only for industrial use

Material specifications

Color (Housing)	gray (RAL 7042)
-----------------	-----------------

Interfaces

Supported protocols	Sercos
	TFTP

Sercos

Number of interfaces	2
Connection method	RJ45 jack
Note on the connection method	Auto negotiation and autocrossing
Transmission speed	100 Mbps (full duplex)
Transmission physics	Ethernet in RJ45 twisted pair

Axioline F local bus

Number of interfaces	1
Connection method	Bus base module
Transmission speed	100 Mbps

Service

Number of interfaces	1
Connection method	USB type C (from HW 05)
	Micro USB type B (up to HW 04)

Sercos

Equipment type	Sercos slave
System-specific protocols	Sercos protocols Sercos
Specification	Sercos specification 1.31

System properties

System limits

Number of supported devices	max. 63 (per station)
Number of local bus devices that can be connected	max. 63

Programming data

Register length (master)	1484 Byte
--------------------------	-----------

Product properties

Product type	I/O component
Product family	Axioline F
Type	block modular
Mounting position	any (observe temperature derating)
Scope of supply	including bus base module and Axioline F connector

Insulation characteristics

Overvoltage category	II (IEC 60664-1, EN 60664-1)
Pollution degree	2 (IEC 60664-1, EN 60664-1)

Electrical properties

Maximum power dissipation for nominal condition	3.7 W
---	-------

Potentials: Communications power U_L feed-in (the supply of the Axioline F local bus U_{BUS} is generated from U_L)

Supply voltage	24 V DC
Supply voltage range	19.2 V DC ... 30 V DC (including all tolerances, including ripple)
Current draw	max. 570 mA (2.0 A at U_{BUS} , $U_L = 24$ V, up to HW 04) max. 670 mA (2.5 A at U_{BUS} , $U_L = 24$ V, from HW 05)
Current consumption	typ. 105 mA (without I/O modules, $U_L = 24$ V, up to HW 04) typ. 85 mA (without I/O modules, $U_L = 24$ V, from HW 05)
Protective circuit	Surge protection; electronic Reverse polarity protection; electronic

Potentials: Axioline F local bus supply (U_{BUS})

Supply voltage	5 V DC (via bus base module)
Power supply unit	max. 2 A (up to HW 04) max. 2.5 A (from HW 05)

Electrical isolation/isolation of the voltage ranges

Test voltage: Ethernet interface 1 / Ethernet interface 2	1500 V AC, 50 Hz, 1 min
Test voltage: Ethernet interface 1 / 24 V communications voltage (U_L) feed-in	1500 V AC, 50 Hz, 1 min
Test voltage: Ethernet interface 2 / 24 V communications voltage (U_L) feed-in	1500 V AC, 50 Hz, 1 min

AXL F BK S3 - Bus coupler



2701686

<https://www.phoenixcontact.com/us/products/2701686>

Test voltage: Ethernet interface 1 / functional ground	1500 V AC, 50 Hz, 1 min
Test voltage: Ethernet interface 2 / functional ground	1500 V AC, 50 Hz, 1 min
Test voltage: 24 V communications voltage (U _L) feed-in / functional ground	500 V AC, 50 Hz, 1 min

Connection data

Connection technology

Connection name	Axioline F connector
Note on the connection method	Please observe the information provided on conductor cross-sections in the "Axioline F: system and installation" user manual.

Axioline F connector

Connection method	Push-in connection
Note on the connection method	Please observe the information provided on conductor cross-sections in the "Axioline F: system and installation" user manual.
Conductor cross-section, rigid	0.2 mm ² ... 1.5 mm ²
Conductor cross-section, flexible	0.2 mm ² ... 1.5 mm ²
Conductor cross-section AWG	24 ... 16
Stripping length	8 mm

Environmental and real-life conditions

Ambient conditions

Ambient temperature (operation)	-25 °C ... 60 °C (Mounting position: panel mounting on horizontal DIN rail) -25 °C ... 55 °C (Mounting position: any)
Degree of protection	IP20
Air pressure (operation)	70 kPa ... 106 kPa (up to 3000 m above sea level)
Air pressure (storage/transport)	70 kPa ... 106 kPa (up to 3000 m above sea level)
Ambient temperature (storage/transport)	-40 °C ... 85 °C
Permissible humidity (operation)	5 % ... 95 % (non-condensing)
Permissible humidity (storage/transport)	5 % ... 95 % (non-condensing)

Mechanical test

Vibration resistance in accordance with EN 60068-2-6/IEC 60068-2-6	5g
Shock in accordance with EN 60068-2-27/IEC 60068-2-27	30g
Continuous shock in accordance with EN 60068-2-27/IEC 60068-2-27	10g

Standards and regulations

Protection class	III (IEC 61140, EN 61140, VDE 0140-1)
------------------	---------------------------------------

Mounting

Mounting type	DIN rail mounting
Mounting position	any (observe temperature derating)

AXL F BK S3 - Bus coupler

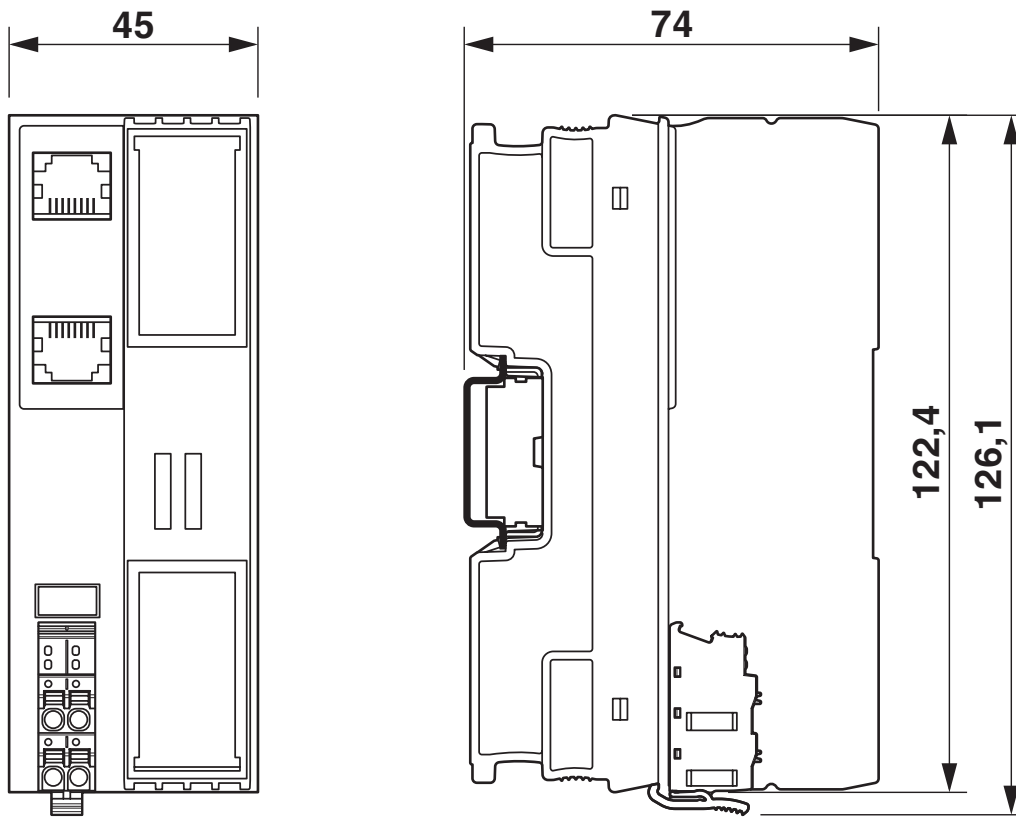
2701686

<https://www.phoenixcontact.com/us/products/2701686>

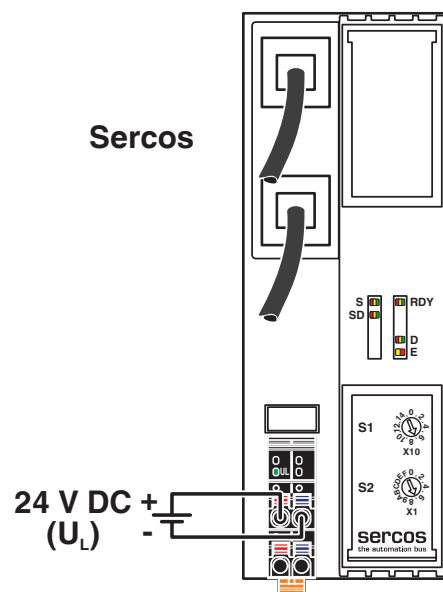


Drawings

Dimensional drawing



Connection diagram



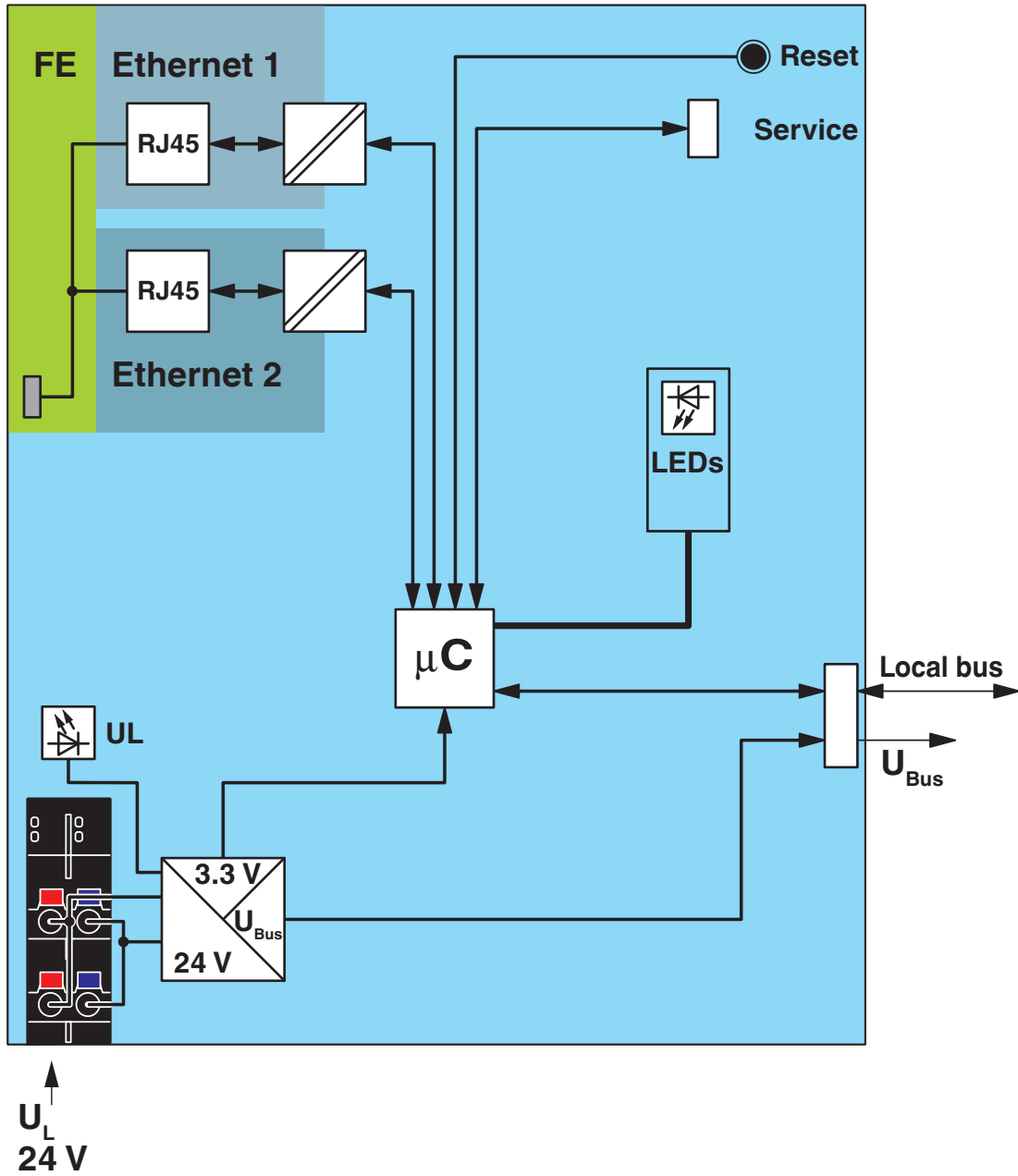
Connection of the cables

AXL F BK S3 - Bus coupler

2701686

<https://www.phoenixcontact.com/us/products/2701686>

Block diagram



Internal wiring of the terminal points

AXL F BK S3 - Bus coupler



2701686

<https://www.phoenixcontact.com/us/products/2701686>

Approvals

To download certificates, visit the product detail page: <https://www.phoenixcontact.com/us/products/2701686>



DNV GL

Approval ID: TAA00000DF



LR

Approval ID: LR2480202TA-02



PRS

Approval ID: TE/1020/880590/21

BSH

Approval ID: 840



RINA

Approval ID: ELE008423XG001

ABS

Approval ID: 23-2449604-PDA



cULus Listed

Approval ID: E238705



cULus Listed

Approval ID: E238705

AXL F BK S3 - Bus coupler

2701686

<https://www.phoenixcontact.com/us/products/2701686>



Classifications

ECLASS

ECLASS-13.0	27242608
ECLASS-15.0	27242608

ETIM

ETIM 10.0	EC001604
-----------	----------

UNSPSC

UNSPSC 21.0	32151600
-------------	----------

AXL F BK S3 - Bus coupler



2701686

<https://www.phoenixcontact.com/us/products/2701686>

Environmental product compliance

EU RoHS

Fulfills EU RoHS substance requirements	Yes
Exemption	7(a), 7(c)-I

China RoHS

Environment friendly use period (EFUP)	EFUP-50
	An article-related China RoHS declaration table can be found in the download area for the respective article under "Manufacturer declaration". For all articles with EFUP-E, no China RoHS declaration table issued and required.

EU REACH SVHC

REACH candidate substance (CAS No.)	4,4'-isopropylidenediphenol(CAS: 80-05-7)
	Lead(CAS: 7439-92-1)
SCIP	dccc1b9f-2267-48ee-882f-35b166de8313

Phoenix Contact 2026 © - all rights reserved
<https://www.phoenixcontact.com>

Phoenix Contact USA
586 Fulling Mill Road
Middletown, PA 17057, United States
(+717) 944-1300
info@phoenixcon.com