

PSD-S WIN MA/UL - Wireless elements



2701664

<https://www.phoenixcontact.com/us/products/2701664>

Please be informed that the data shown in this PDF document is generated from our online catalog. Please find the complete data in the user documentation. Our general terms of use for downloads are valid.



Master with antenna for the WIN signal tower wireless system, with USB interface, voltage supply via USB interface, software CD, USB cable (3 m), four rubber feet and material for panel mounting of the master

Your advantages

- Repeater for increasing the range integrated in each wireless element
- Existing signal towers can be extended without additional wiring
- Can be operated parallel to other wireless applications
- Simultaneous detection of up to 50 wireless elements
- Error messages can be sent via e-mail
- Range of a wireless element with a free line of sight of up to 300 m

Commercial data

Item number	2701664
Packing unit	1 pc
Note	Made to order (non-returnable)
Sales key	DR07
Product key	DRL115
GTIN	4046356801553
Weight per piece (including packing)	269.7 g
Weight per piece (excluding packing)	269.7 g
Customs tariff number	85318095
Country of origin	DE

2701664

<https://www.phoenixcontact.com/us/products/2701664>

Technical data

Product properties

Product type	Wireless element
Set comprises	2701563 PSD-S WIN SET-1MA-3SL/UL
	2701564 PSD-S WIN STARTERKIT/UL
Scope of supply	1 master with antenna including accessories, USB cable (3 m), software CD

Interfaces

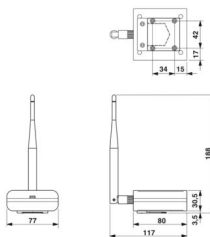
Functions

Wireless licenses	USA, Canada
Country support	USA
	Canada

Wireless

Modulation type	2 FSK
Frequency range	913 Hz ... 917 Hz
Frequency band	915 MHz
Transmission power	10 dBm (at 50 Ohm)
Range	max. 300 m
Transmission speed	38.4 kbps (can be adjusted via WIN software)
	76.8 kbps (default)
Wireless modules that can be connected	up to 50 (2701565 PSD-S WIN SL/UL)

Dimensions

Dimensional drawing	
Width	77 mm
Height	188 mm
Depth	117 mm
Note on dimensions	Height and depth when antenna is perpendicular

Material specifications

Color	black
Material	Acrylonitrile butadiene styrene (ABS)

Environmental and real-life conditions

PSD-S WIN MA/UL - Wireless elements



2701664

<https://www.phoenixcontact.com/us/products/2701664>

Ambient conditions

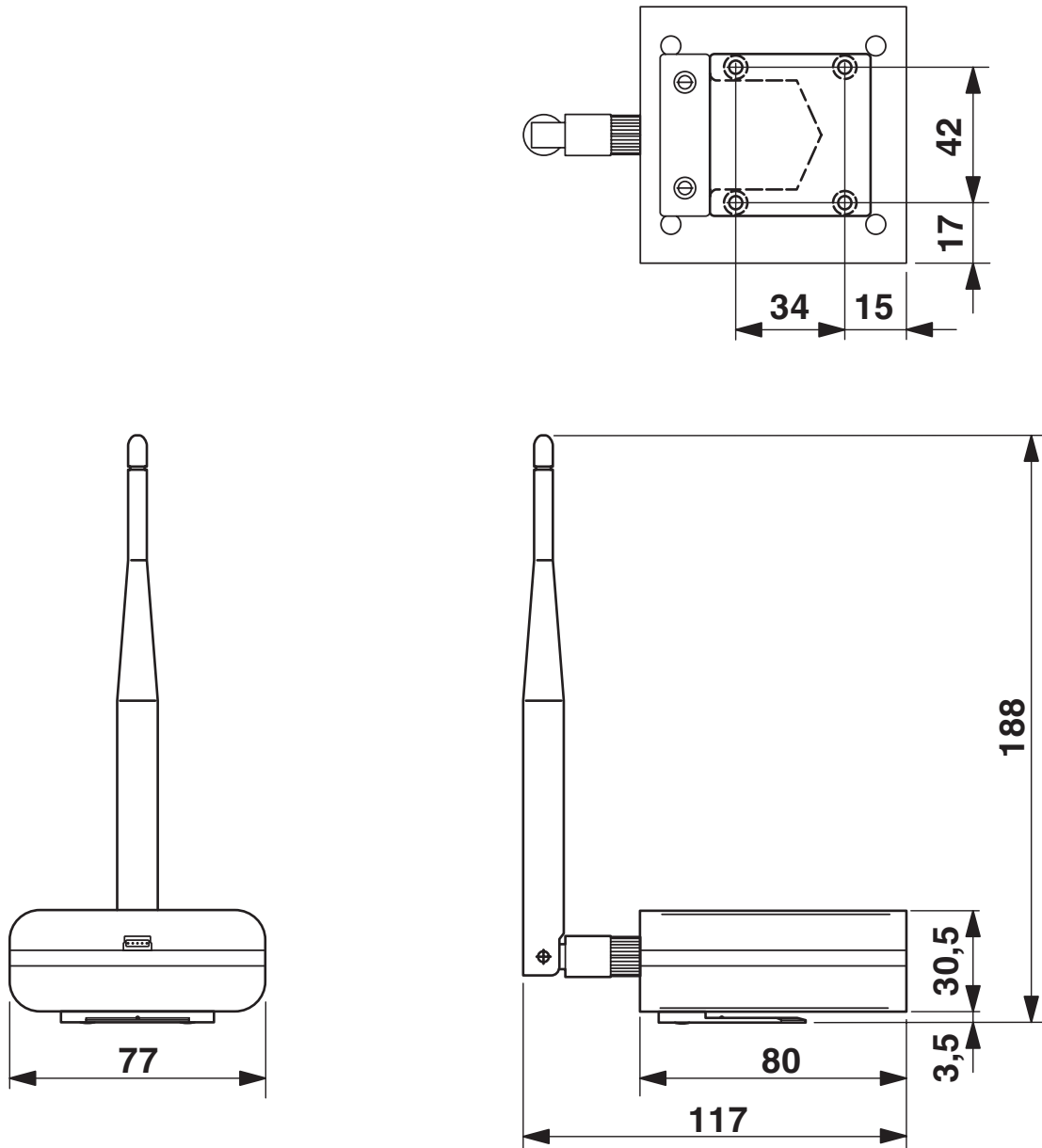
Degree of protection	IP20
Ambient temperature (operation)	-20 °C ... 50 °C

EMC data

Electromagnetic compatibility	Conforms with guidelines: FCC Part 15.249/IC: RSS-210 Issue 8, RSS-GEN Issue 4, RSS-102 Issue 4
-------------------------------	---

Drawings

Dimensional drawing



PSD-S WIN MA/UL - Wireless elements



2701664

<https://www.phoenixcontact.com/us/products/2701664>

Environmental product compliance

EU RoHS

Fulfills EU RoHS substance requirements	Yes, No exemptions
---	--------------------

China RoHS

Environment friendly use period (EFUP)	EFUP-E
	No hazardous substances above the limits

EU REACH SVHC

REACH candidate substance (CAS No.)	No substance above 0.1 wt%
-------------------------------------	----------------------------

Phoenix Contact 2026 © - all rights reserved
<https://www.phoenixcontact.com>

Phoenix Contact USA
586 Fulling Mill Road
Middletown, PA 17057, United States
(+717) 944-1300
info@phoenixcon.com