

GE 35/1-A BU - Device terminal block



2701575

<https://www.phoenixcontact.com/us/products/2701575>

Please be informed that the data shown in this PDF document is generated from our online catalog. Please find the complete data in the user documentation. Our general terms of use for downloads are valid.



Device terminal block, nom. voltage: 630 V, nominal current: 150 A, number of connections: 2, connection method: Screw connection, Rated cross section: 35 mm², cross section: 0.75 mm² - 50 mm², mounting type: direct screw connection, color: blue

The figure shows a similar product

Commercial data

Item number	2701575
Packing unit	15 pc
Minimum order quantity	1 pc
Product key	BE1265
GTIN	4046356182430
Weight per piece (including packing)	74.01 g
Weight per piece (excluding packing)	74.01 g
Country of origin	PL

Technical data

Product properties

Product type	Feed-through terminal block
Number of connections	2
Number of rows	1
Potentials	1

Insulation characteristics

Overvoltage category	III
Degree of pollution	3

Electrical properties

Rated surge voltage	8 kV
---------------------	------

Connection data

Number of connections per level	2
Nominal cross section	35 mm ²

Level 1 above 1 below 1

Connection method	Screw connection
Screw thread	M6
Note	Terminal point
Tightening torque	3.2 ... 3.7 Nm
Stripping length	15 mm
Connection in acc. with standard	IEC 60947-7-2
Conductor cross-section rigid	0.75 mm ² ... 50 mm ²
Cross section AWG	18 ... 1/0 (converted acc. to IEC)
Conductor cross-section flexible	0.75 mm ² ... 35 mm ²
Conductor cross-section, flexible [AWG]	18 ... 2 (converted acc. to IEC)
Conductor cross-section flexible (ferrule without plastic sleeve)	0.75 mm ² ... 35 mm ²
Flexible conductor cross-section (ferrule with plastic sleeve)	0.75 mm ² ... 35 mm ²
2 conductors with same cross section, rigid	0.75 mm ² ... 16 mm ²
2 conductors with same cross section, flexible	0.75 mm ² ... 10 mm ²
2 conductors with same cross section, flexible, with ferrule without plastic sleeve	0.75 mm ² ... 10 mm ²
2 conductors with the same cross section, flexible, with TWIN ferrule with plastic sleeve	0.75 mm ² ... 6 mm ²
Nominal cross section	35 mm ²
Nominal current	150 A
Maximum load current	150 A (with 50 mm ² conductor cross-section)
Nominal voltage	630 V
Connection in acc. with standard	IEC/EN 60079-7
Test certificate name	KEMA 01ATEX2046 U
Conductor cross-section rigid	0.75 mm ² ... 50 mm ²

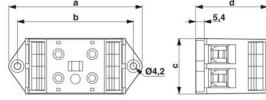
GE 35/1-A BU - Device terminal block

2701575

<https://www.phoenixcontact.com/us/products/2701575>

Cross section AWG	18 ... 1/0 (converted acc. to IEC)
Conductor cross-section flexible	0.75 mm ² ... 35 mm ²

Dimensions

Dimensional drawing	
Width	19.75 mm
Height	44.9 mm

Material specifications

Color	blue
Flammability rating according to UL 94	V0
Insulating material group	I
Insulating material	PA

Mechanical properties

Mechanical data

Open side panel	No
-----------------	----

Standards and regulations

Connection in acc. with standard	IEC 60947-7-2
	IEC/EN 60079-7

Mounting

Mounting type	direct screw connection
---------------	-------------------------

GE 35/1-A BU - Device terminal block

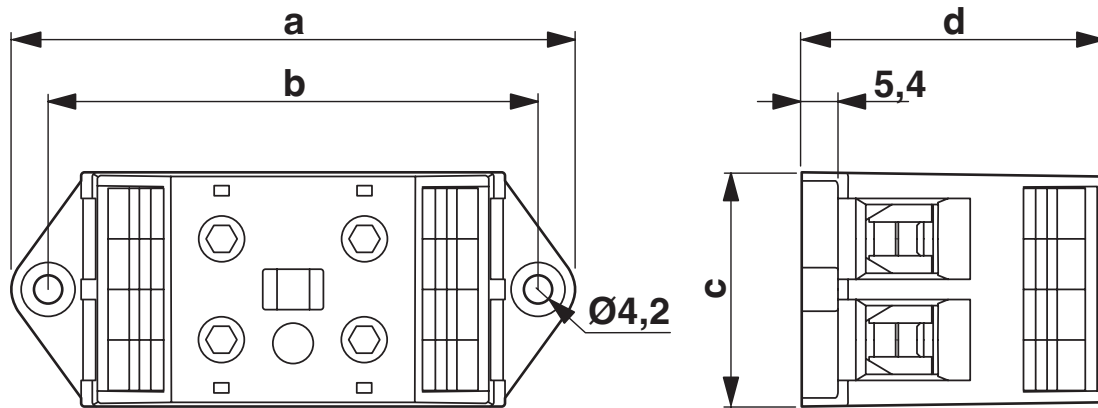


2701575

<https://www.phoenixcontact.com/us/products/2701575>

Drawings

Dimensional drawing



GE 35/1-A BU - Device terminal block



2701575

<https://www.phoenixcontact.com/us/products/2701575>

Environmental product compliance

China RoHS

Environment friendly use period (EFUP)	EFUP-50
	An article-related China RoHS declaration table can be found in the download area for the respective article under "Manufacturer declaration". For all articles with EFUP-E, no China RoHS declaration table issued and required.

EU REACH SVHC

REACH candidate substance (CAS No.)	No substance above 0.1 wt%
-------------------------------------	----------------------------

Phoenix Contact 2026 © - all rights reserved
<https://www.phoenixcontact.com>

Phoenix Contact USA
586 Fulling Mill Road
Middletown, PA 17057, United States
(+717) 944-1300
info@phoenixcon.com