

# GE 35/2-B - Device terminal block



2701569

<https://www.phoenixcontact.com/us/products/2701569>

Please be informed that the data shown in this PDF document is generated from our online catalog. Please find the complete data in the user documentation. Our general terms of use for downloads are valid.



Device terminal block, nom. voltage: 630 V, nominal current: 125 A, number of connections: 4, number of positions: 1, connection method: Screw connection, Rated cross section: 35 mm<sup>2</sup>, cross section: 0.75 mm<sup>2</sup> - 35 mm<sup>2</sup>, mounting type: direct screw connection, color: gray

## Your advantages

- Touch-proof shock protection
- Mounting with two screws per block

## Commercial data

Item number	2701569
Packing unit	1 pc
Note	Made to order (non-returnable)
Sales key	BE12
Product key	BE1265
GTIN	4046356182379
Weight per piece (including packing)	130.2 g
Weight per piece (excluding packing)	130.2 g
Customs tariff number	85369010
Country of origin	PL

# GE 35/2-B - Device terminal block



2701569

<https://www.phoenixcontact.com/us/products/2701569>

## Technical data

### Product properties

Product type	Feed-through terminal block
Number of positions	1
Number of connections	4
Number of rows	1
Potentials	1

### Insulation characteristics

Overvoltage category	III
Degree of pollution	3

### Electrical properties

Rated surge voltage	8 kV
---------------------	------

### Connection data

Number of connections per level	4
Nominal cross section	35 mm <sup>2</sup>

### Level 1 above 1 below 1

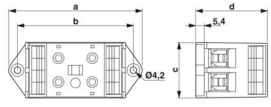
Connection method	Screw connection
Screw thread	M6
Note	Terminal point
Tightening torque	3.5 ... 4 Nm
Stripping length	16 mm
Connection in acc. with standard	IEC 60947-7-1
Conductor cross-section rigid	0.75 mm <sup>2</sup> ... 35 mm <sup>2</sup>
Cross section AWG	18 ... 2 (converted acc. to IEC)
Conductor cross-section flexible	0.75 mm <sup>2</sup> ... 35 mm <sup>2</sup>
Conductor cross-section, flexible [AWG]	18 ... 2 (converted acc. to IEC)
Conductor cross-section flexible (ferrule without plastic sleeve)	0.75 mm <sup>2</sup> ... 35 mm <sup>2</sup>
Flexible conductor cross-section (ferrule with plastic sleeve)	0.75 mm <sup>2</sup> ... 35 mm <sup>2</sup>
2 conductors with same cross section, rigid	0.75 mm <sup>2</sup> ... 10 mm <sup>2</sup>
2 conductors with same cross section, flexible	0.75 mm <sup>2</sup> ... 10 mm <sup>2</sup>
2 conductors with same cross section, flexible, with ferrule without plastic sleeve	0.75 mm <sup>2</sup> ... 10 mm <sup>2</sup>
2 conductors with the same cross section, flexible, with TWIN ferrule with plastic sleeve	0.75 mm <sup>2</sup> ... 6 mm <sup>2</sup>
Nominal cross section	35 mm <sup>2</sup>
Nominal current	125 A
Maximum load current	125 A (with 35 mm <sup>2</sup> conductor cross-section)
Nominal voltage	630 V

### Dimensions

# GE 35/2-B - Device terminal block

2701569

<https://www.phoenixcontact.com/us/products/2701569>

Dimensional drawing	
Width	34.8 mm
Height	44.9 mm

## Material specifications

Color	gray
Flammability rating according to UL 94	V2
Insulating material group	I
Insulating material	PA

## Mechanical properties

### Mechanical data

Open side panel	No
-----------------	----

## Standards and regulations

Connection in acc. with standard	IEC 60947-7-1
----------------------------------	---------------

## Mounting

Mounting type	direct screw connection
---------------	-------------------------

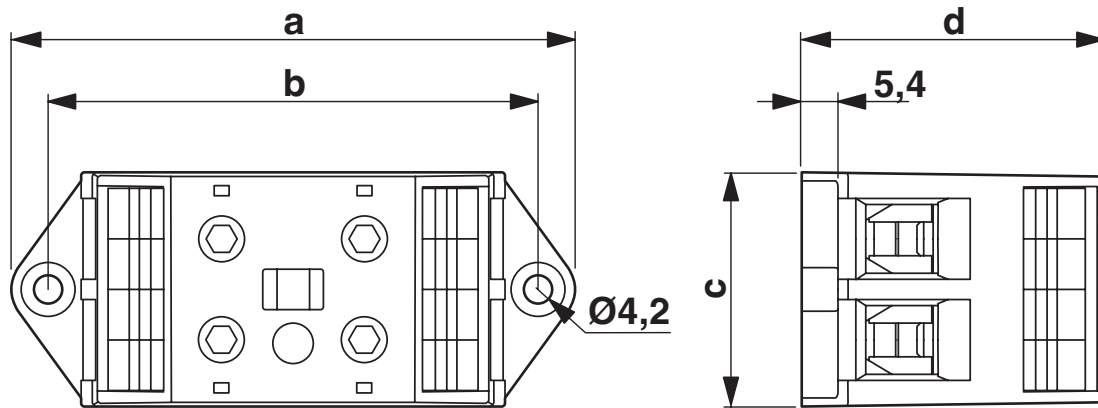
# GE 35/2-B - Device terminal block

2701569

<https://www.phoenixcontact.com/us/products/2701569>

## Drawings

Dimensional drawing



Circuit diagram



# GE 35/2-B - Device terminal block



2701569

<https://www.phoenixcontact.com/us/products/2701569>

## Environmental product compliance

### EU RoHS

Fulfills EU RoHS substance requirements	Yes, No exemptions
---	--------------------

### China RoHS

Environment friendly use period (EFUP)	EFUP-E
	No hazardous substances above the limits

### EU REACH SVHC

REACH candidate substance (CAS No.)	No substance above 0.1 wt%
-------------------------------------	----------------------------

Phoenix Contact 2026 © - all rights reserved  
<https://www.phoenixcontact.com>

Phoenix Contact USA  
586 Fulling Mill Road  
Middletown, PA 17057, United States  
(+717) 944-1300  
[info@phoenixcon.com](mailto:info@phoenixcon.com)