

AXL E PB DI8 DO4 2A M12 6P - Digital module



2701502

<https://www.phoenixcontact.com/us/products/2701502>

Please be informed that the data shown in this PDF document is generated from our online catalog. Please find the complete data in the user documentation. Our general terms of use for downloads are valid.



Axioline E, Digital I/O device, PROFIBUS DP, M12 connector, Digital inputs: 8, 24 V DC, connection technology: 4-conductor, Digital outputs: 4, 24 V DC, connection technology: 3-conductor, Plastic housing, degree of protection: IP65/IP67

Product description

The Axioline E device is designed for use within a PROFIBUS network. It is used to acquire and output digital signals.

Your advantages

- Connection to PROFIBUS DP using M12 connectors (B-coded)
- Baud rate of up to 12 Mbaud (automatic baud rate detection)
- Connection of digital sensors and actuators using M12connectors (A-coded)
- Diagnostic and status indicators
- Short-circuit and overload protection of the sensor supply
- IP65/IP67 degree of protection

Commercial data

Item number	2701502
Packing unit	1 pc
Minimum order quantity	1 pc
Sales key	DR04
Product key	DRI7D2
GTIN	4046356763547
Weight per piece (including packing)	555 g
Weight per piece (excluding packing)	480 g
Customs tariff number	85176200
Country of origin	DE

AXL E PB DI8 DO4 2A M12 6P - Digital module



2701502

<https://www.phoenixcontact.com/us/products/2701502>

Technical data

Dimensions

Dimensional drawing	
Width	60 mm
Height	185 mm
Depth	30.5 mm
Drill hole spacing	198.5 mm
Note on dimensions	The height is 212 mm including fixing clips.

Notes

Note on application

Note on application	Only for industrial use
---------------------	-------------------------

Material specifications

Color (Housing)	anthracite gray (RAL 7016)
Housing material	Pocan®

Interfaces

PROFIBUS DP

No. of channels	2
Connection method	M12 connector
Note on the connection method	B-coded
Number of positions	5
Transmission speed	9.6 kbps ... 12 Mbps (Automatic baud rate detection)
Transmission physics	PROFIBUS-DP-compliant copper cable
Address area assignment	1 ... 126, adjustable

PROFIBUS DP

Equipment type	PROFIBUS slave
System-specific protocols	PROFIBUS protocols DP V1

System properties

Programming data

Input address area	8 bit
Output address area	8 bit

Input data

AXL E PB DI8 DO4 2A M12 6P - Digital module



2701502

<https://www.phoenixcontact.com/us/products/2701502>

Digital:

Input name	Digital inputs
Description of the input	IEC 61131-2 types 1 and 3
Number of inputs	8
Cable length	max. 30 m (to the sensor)
Connection method	M12 connector double occupancy
Connection technology	4-conductor
Input voltage range "0" signal	0 V DC ... 5 V DC
Input voltage range "1" signal	11 V DC ... 30 V DC
Nominal input voltage U_{IN}	24 V DC
Nominal input current at U_{IN}	typ. 3 mA
Sensor current per channel	typ. 75 mA (from U_S)
Total sensor current	max. 0.6 A (per device)
Input filter time	< 1000 μ s
Protective circuit	Overload protection, short-circuit protection of sensor supply

Output data

Digital:

Output name	Digital outputs
Connection method	M12 connector, A-coded
Connection technology	3-conductor
Number of outputs	4
Protective circuit	Overload protection, short-circuit protection of outputs; yes
Output voltage	24 V DC
Limitation of the voltage induced on circuit interruption	-28 V ... -17 V
Maximum output current per channel	2 A
Nominal output voltage	24 V DC (from voltage U_A)
Output voltage range	18 V DC ... 31.2 V DC
Output voltage when switched off	max. 1 V
Output current when switched off	max. 20 μ A
Nominal load, inductive	48 VA (1.2 H, 48 Ω , with nominal voltage)
Nominal load, ohmic	48 W (48 Ω , with nominal voltage)
Switching frequency	max. 5500 per second (with at least 50 mA load current) max. 1 per second (with inductive load)
Reverse voltage resistance to short pulses	Reverse voltage proof
Behavior with overload	Auto restart
Signal delay	max. 150 μ s (when switched on) max. 200 μ s (when switched off)
Overcurrent shut-down	min. 2.2 A

Product properties

Product type	I/O component
Product family	Axioline E

AXL E PB DI8 DO4 2A M12 6P - Digital module



2701502

<https://www.phoenixcontact.com/us/products/2701502>

Type	Stand-alone
Special properties	Plastic housing

Electrical properties

Potentials

Voltage supply U_S	24 V DC
Power supply at U_S	max. 4 A
Current consumption from U_S	typ. 8 mA max. 1.2 A

Supply: Module electronics and sensors

Designation	Supply of module electronics and sensors (U_S)
Connection method	M12 connector, T-coded
Number of positions	4
Supply voltage	24 V DC
Supply voltage range	18 V DC ... 31.2 V DC (including all tolerances, including ripple)
Current consumption	typ. 110 mA \pm 15 % (at 24 V DC) max. 12 A

Supply: Actuators

Designation	Supply of actuators (U_A)
Connection method	M12 connector, T-coded
Number of positions	4
Supply voltage	24 V DC
Supply voltage range	18 V DC ... 31.2 V DC (including all tolerances, including ripple)
Current consumption	typ. 30 mA \pm 15 % (at 24 V DC) max. 12 A

Electrical isolation/isolation of the voltage ranges

Test voltage: 24 V supply (communications power and sensor supply, digital inputs)/bus connection	500 V AC, 50 Hz, 1 min
Test voltage: 24 V supply (communications power and sensor supply, digital inputs)/FE	500 V AC, 50 Hz, 1 min
Test voltage: Bus connection / FE	500 V AC, 50 Hz, 1 min
Test voltage: 24 V supply (actuator supply, digital outputs)/24 V supply (communications power and sensor supply, digital inputs)	500 V AC, 50 Hz, 1 min
Test voltage: 24 V supply (actuator supply, digital outputs)/bus connection	500 V AC, 50 Hz, 1 min
Test voltage: 24 V supply (actuator supply, digital outputs)/FE	500 V AC, 50 Hz, 1 min

Connection data

Connection method	M12 connector
-------------------	---------------

Environmental and real-life conditions

Ambient conditions

Ambient temperature (operation)	-25 °C ... 60 °C
---------------------------------	------------------

AXL E PB DI8 DO4 2A M12 6P - Digital module



2701502

<https://www.phoenixcontact.com/us/products/2701502>

Degree of protection	IP65/IP67
Air pressure (operation)	70 kPa ... 106 kPa (up to 3000 m above sea level)
Air pressure (storage/transport)	70 kPa ... 106 kPa (up to 3000 m above sea level)
Ambient temperature (storage/transport)	-25 °C ... 85 °C
Permissible humidity (operation)	5 % ... 95 %
Permissible humidity (storage/transport)	5 % ... 95 %

Mechanical test

Vibration resistance in accordance with EN 60068-2-6/IEC 60068-2-6	5g
Shock in accordance with EN 60068-2-27/IEC 60068-2-27	30g, 11 ms period, half-sine shock pulse
Continuous shock in accordance with EN 60068-2-27/IEC 60068-2-27	10g

Standards and regulations

Protection class	III (IEC 61140, EN 61140, VDE 0140-1)
------------------	---------------------------------------

Mounting

Mounting type	Screw mounting
---------------	----------------

AXL E PB DI8 DO4 2A M12 6P - Digital module

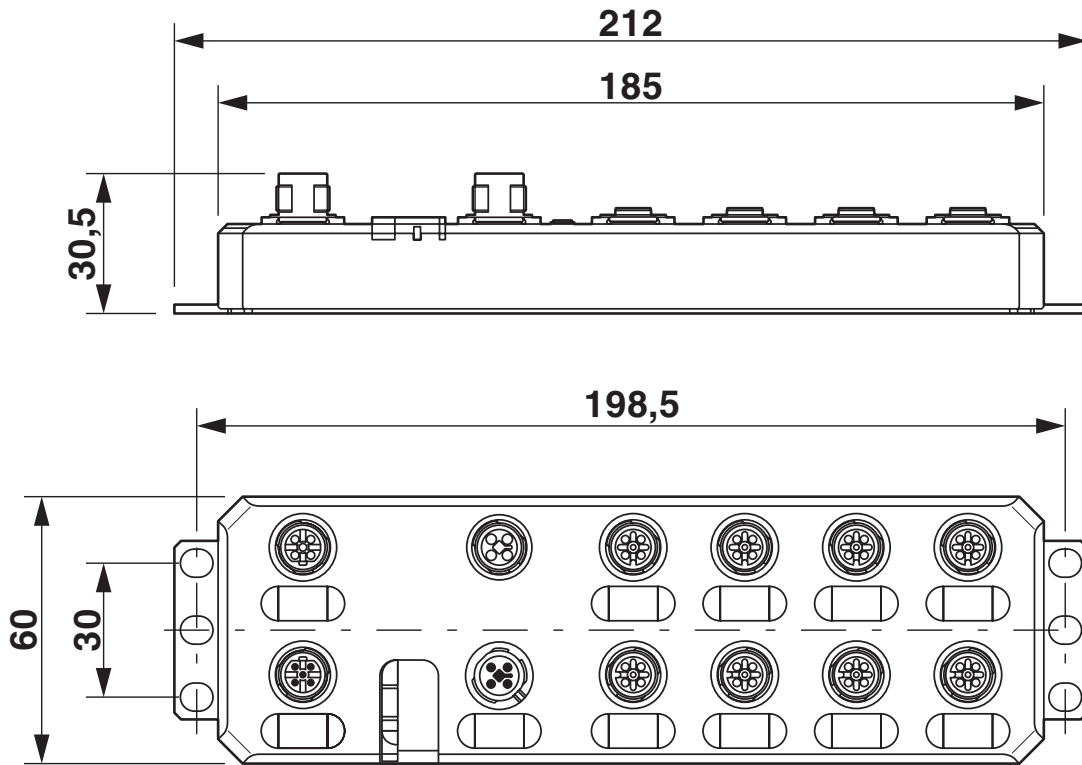


2701502

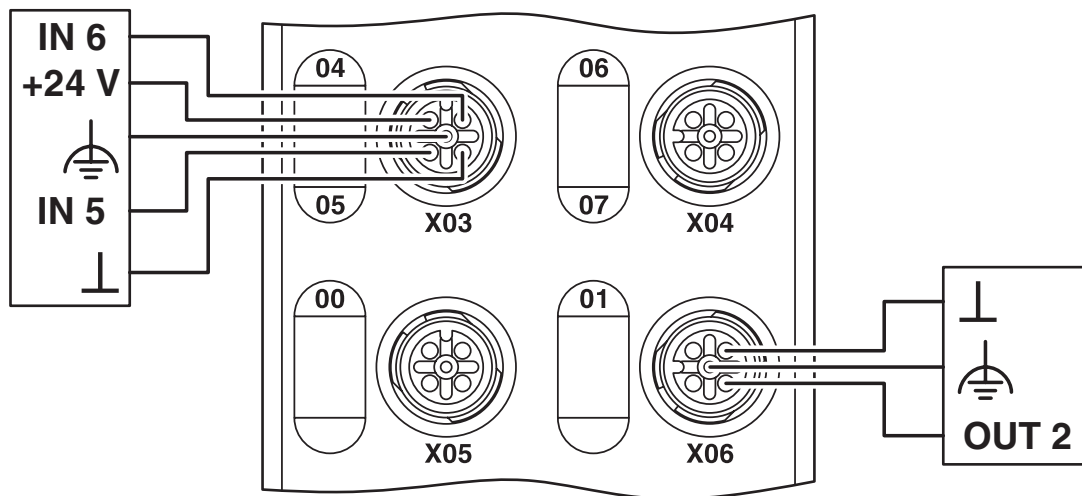
<https://www.phoenixcontact.com/us/products/2701502>

Drawings

Dimensional drawing



Connection diagram




AXL E PB DI8 DO4 2A M12 6P - Digital module



2701502

<https://www.phoenixcontact.com/us/products/2701502>

Approvals

 To download certificates, visit the product detail page: <https://www.phoenixcontact.com/us/products/2701502>

PROFIBUS

Approval ID: Z01812



cULus Listed

Approval ID: E140324



cULus Listed

Approval ID: E199827

AXL E PB DI8 DO4 2A M12 6P - Digital module



2701502

<https://www.phoenixcontact.com/us/products/2701502>

Classifications

ECLASS

ECLASS-13.0	27242604
ECLASS-15.0	27242604

ETIM

ETIM 10.0	EC001599
-----------	----------

UNSPSC

UNSPSC 21.0	32151600
-------------	----------

2701502

<https://www.phoenixcontact.com/us/products/2701502>

Environmental product compliance

EU RoHS

Fulfills EU RoHS substance requirements	Yes
Exemption	6(c)

China RoHS

Environment friendly use period (EFUP)	EFUP-25
	An article-related China RoHS declaration table can be found in the download area for the respective article under "Manufacturer declaration". For all articles with EFUP-E, no China RoHS declaration table issued and required.

EU REACH SVHC

REACH candidate substance (CAS No.)	Lead(CAS: 7439-92-1)
SCIP	4962be35-ac1a-45a6-bc14-aaacb9b1027a

Phoenix Contact 2026 © - all rights reserved

<https://www.phoenixcontact.com>

Phoenix Contact USA
586 Fulling Mill Road
Middletown, PA 17057, United States
(+717) 944-1300
info@phoenixcon.com