

AXL E PB DIO16 M12 6P - Digital module



2701499

<https://www.phoenixcontact.com/us/products/2701499>

Please be informed that the data shown in this PDF document is generated from our online catalog. Please find the complete data in the user documentation. Our general terms of use for downloads are valid.



Axioline E, Digital I/O device, PROFIBUS DP, M12 connector, Digital inputs: 16, 24 V DC, connection technology: 4-conductor, Digital outputs: 16, 24 V DC, connection technology: 3-conductor, Plastic housing, degree of protection: IP65/IP67

Product description

The Axioline E device is designed for use within a PROFIBUS network. It is used to acquire and output digital signals.

Your advantages

- Connection to PROFIBUS DP using M12 connectors (B-coded)
- Baud rate of up to 12 Mbaud (automatic baud rate detection)
- Connection of digital sensors and actuators using M12connectors (A-coded)
- Diagnostic and status indicators
- Short-circuit and overload protection of the sensor supply
- IP65/IP67 degree of protection

Commercial data

| | |
|--------------------------------------|---------------|
| Item number | 2701499 |
| Packing unit | 1 pc |
| Minimum order quantity | 1 pc |
| Sales key | DR04 |
| Product key | DRI7D2 |
| GTIN | 4046356763530 |
| Weight per piece (including packing) | 553.3 g |
| Weight per piece (excluding packing) | 480 g |
| Customs tariff number | 85176200 |
| Country of origin | DE |

AXL E PB DIO16 M12 6P - Digital module

2701499

<https://www.phoenixcontact.com/us/products/2701499>

Technical data

Dimensions

| | |
|---------------------|--|
| Dimensional drawing |  |
| Width | 60 mm |
| Height | 185 mm |
| Depth | 30.5 mm |
| Drill hole spacing | 198.5 mm |
| Note on dimensions | The height is 212 mm including fixing clips. |

Notes

Note on application

| | |
|---------------------|-------------------------|
| Note on application | Only for industrial use |
|---------------------|-------------------------|

Material specifications

| | |
|------------------|----------------------------|
| Color (Housing) | anthracite gray (RAL 7016) |
| Housing material | Pocan® |

Interfaces

PROFIBUS DP

| | |
|-------------------------------|--|
| No. of channels | 2 |
| Connection method | M12 connector |
| Note on the connection method | B-coded |
| Number of positions | 5 |
| Transmission speed | 9.6 kbps ... 12 Mbps (Automatic baud rate detection) |
| Transmission physics | PROFIBUS-DP-compliant copper cable |
| Address area assignment | 1 ... 126, adjustable |

PROFIBUS DP

| | |
|---------------------------|--------------------------|
| Equipment type | PROFIBUS slave |
| System-specific protocols | PROFIBUS protocols DP V1 |

System properties

Programming data

| | |
|---------------------|--------|
| Input address area | 16 bit |
| Output address area | 16 bit |

Input data

AXL E PB DIO16 M12 6P - Digital module



2701499

<https://www.phoenixcontact.com/us/products/2701499>

Digital:

| | |
|-----------------------------------|--|
| Input name | Digital inputs |
| Description of the input | IEC 61131-2 types 1 and 3 |
| Number of inputs | 16 |
| Cable length | max. 30 m (to the sensor) |
| Connection method | M12 connector double occupancy |
| Connection technology | 4-conductor |
| Input voltage range "0" signal | 0 V DC ... 5 V DC |
| Input voltage range "1" signal | 11 V DC ... 30 V DC |
| Nominal input voltage U_{IN} | 24 V DC |
| Nominal input current at U_{IN} | typ. 3 mA |
| Sensor current per channel | typ. 75 mA (from U_S) |
| Total sensor current | max. 1.2 A (per device) |
| Input filter time | < 1000 μ s |
| Protective circuit | Overload protection, short-circuit protection of sensor supply |

Output data

Digital:

| | |
|---|--|
| Output name | Digital outputs |
| Connection method | M12 connector double occupancy |
| Connection technology | 3-conductor |
| Number of outputs | 16 |
| Protective circuit | Overload protection, short-circuit protection of outputs; yes |
| Output voltage | 24 V DC |
| Limitation of the voltage induced on circuit interruption | -28 V ... -17 V |
| Maximum output current per channel | 500 mA |
| Nominal output voltage | 24 V DC (from voltage U_S) |
| Output voltage range | 18 V DC ... 31.2 V DC |
| Output voltage when switched off | max. 1 V |
| Output current when switched off | max. 20 μ A |
| Nominal load, inductive | 12 VA (1.2 H, 48 Ω , with nominal voltage) |
| Nominal load, ohmic | 12 W (48 Ω , with nominal voltage) |
| Switching frequency | max. 5500 per second (with at least 50 mA load current) max. 1 per second (with inductive load) |
| Reverse voltage resistance to short pulses | Reverse voltage proof |
| Behavior with overload | Auto restart |
| Signal delay | max. 150 μ s (when switched on) max. 200 μ s (when switched off) |
| Overcurrent shut-down | min. 0.7 A |

Product properties

| | |
|----------------|---------------|
| Product type | I/O component |
| Product family | Axioline E |

AXL E PB DIO16 M12 6P - Digital module



2701499

<https://www.phoenixcontact.com/us/products/2701499>

| | |
|--------------------|-----------------|
| Type | Stand-alone |
| Special properties | Plastic housing |

Electrical properties

Potentials

| | |
|--------------------------------|------------|
| Voltage supply U_S | 24 V DC |
| Power supply at U_S | max. 4 A |
| Current consumption from U_S | typ. 8 mA |
| | max. 1.2 A |

Supply: Module electronics, sensors, and actuators

| | |
|----------------------|--|
| Designation | Module electronics, sensors and actuators (U_S) |
| Connection method | M12 connector, T-coded |
| Number of positions | 4 |
| Supply voltage | 24 V DC |
| Supply voltage range | 18 V DC ... 31.2 V DC (including all tolerances, including ripple) |
| Current consumption | typ. 165 mA \pm 15 % (at 24 V DC) |
| | max. 12 A |

Supply: Actuators

| | |
|----------------------|--|
| Designation | Supply of actuators (U_A) for additional devices |
| Connection method | M12 connector, T-coded |
| Number of positions | 4 |
| Supply voltage | 24 V DC |
| Supply voltage range | 18 V DC ... 31.2 V DC (including all tolerances, including ripple) |
| Current consumption | typ. 3 mA \pm 15 % (at 24 V DC) |
| | max. 12 A |

Electrical isolation/isolation of the voltage ranges

| | |
|--|------------------------|
| Test voltage: 24 V supply (communications power and sensor supply, digital inputs/outputs)/FE | 500 V AC, 50 Hz, 1 min |
| Test voltage: 24 V supply (communications power/sensor supply, digital inputs/outputs)/FE | 500 V AC, 50 Hz, 1 min |
| Test voltage: Bus connection / FE | 500 V AC, 50 Hz, 1 min |
| Test voltage: 24 V supply (actuator supply)/24 V supply (communications power and sensor supply, digital inputs/outputs) | 500 V AC, 50 Hz, 1 min |
| Test voltage: 24 V supply (actuator supply)/bus connection | 500 V AC, 50 Hz, 1 min |
| Test voltage: 24 V supply (actuator supply)/FE | 500 V AC, 50 Hz, 1 min |

Connection data

| | |
|-------------------|---------------|
| Connection method | M12 connector |
|-------------------|---------------|

Environmental and real-life conditions

Ambient conditions

| | |
|---------------------------------|------------------|
| Ambient temperature (operation) | -25 °C ... 60 °C |
|---------------------------------|------------------|

AXL E PB DIO16 M12 6P - Digital module



2701499

<https://www.phoenixcontact.com/us/products/2701499>

| | |
|--|---|
| Degree of protection | IP65/IP67 |
| Air pressure (operation) | 70 kPa ... 106 kPa (up to 3000 m above sea level) |
| Air pressure (storage/transport) | 70 kPa ... 106 kPa (up to 3000 m above sea level) |
| Ambient temperature (storage/transport) | -25 °C ... 85 °C |
| Permissible humidity (operation) | 5 % ... 95 % |
| Permissible humidity (storage/transport) | 5 % ... 95 % |

Mechanical test

| | |
|--|--|
| Vibration resistance in accordance with EN 60068-2-6/IEC 60068-2-6 | 5g |
| Shock in accordance with EN 60068-2-27/IEC 60068-2-27 | 30g, 11 ms period, half-sine shock pulse |
| Continuous shock in accordance with EN 60068-2-27/IEC 60068-2-27 | 10g |

Standards and regulations

| | |
|------------------|---------------------------------------|
| Protection class | III (IEC 61140, EN 61140, VDE 0140-1) |
|------------------|---------------------------------------|

Mounting

| | |
|---------------|----------------|
| Mounting type | Screw mounting |
|---------------|----------------|

AXL E PB DIO16 M12 6P - Digital module

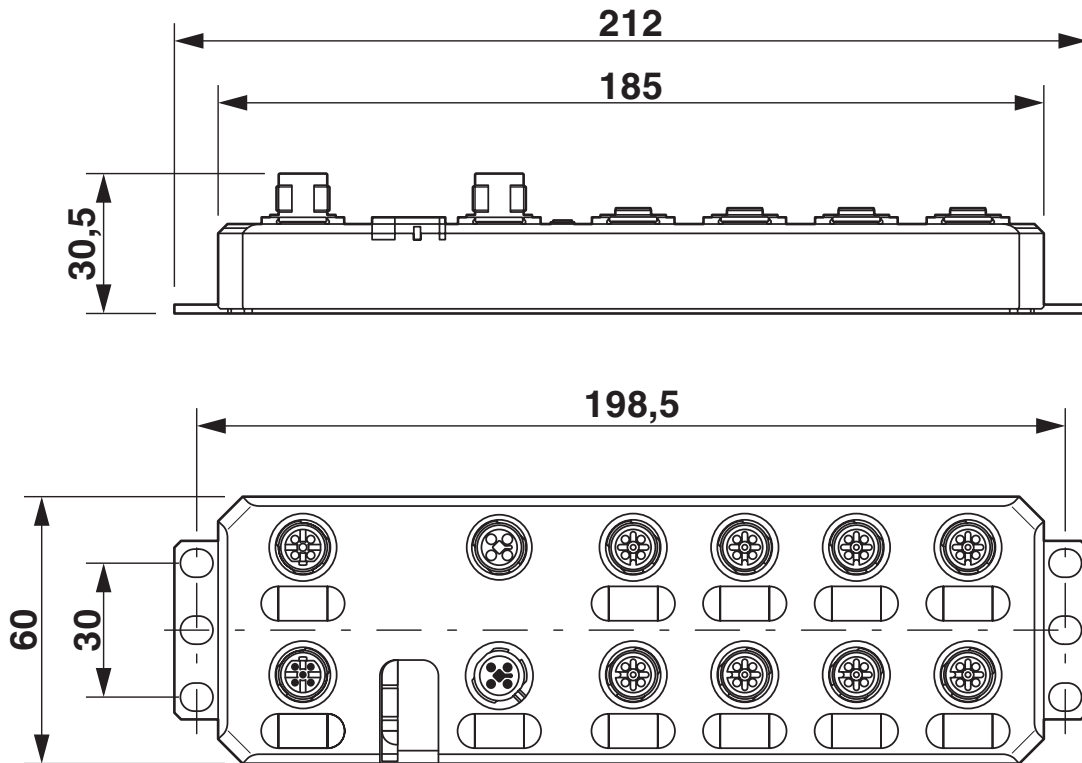


2701499

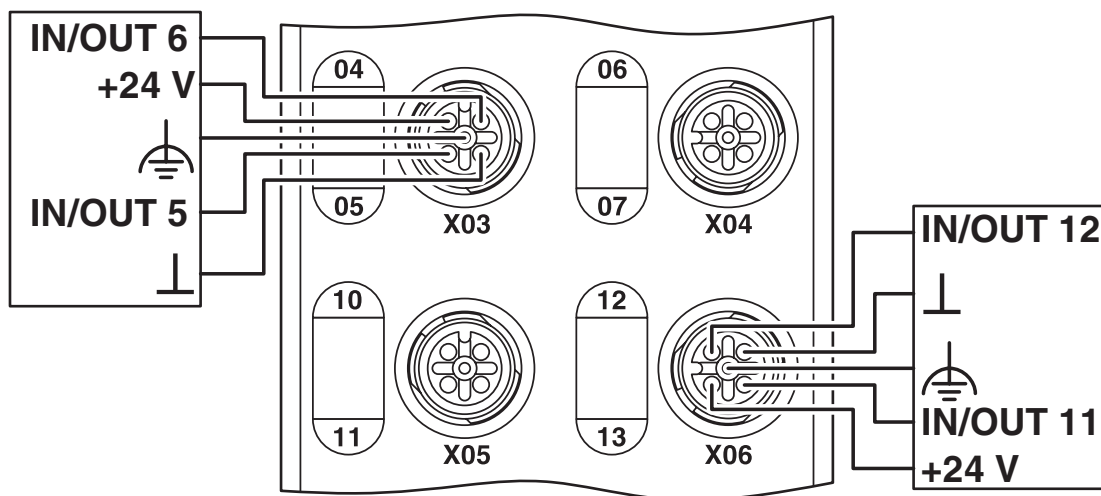
<https://www.phoenixcontact.com/us/products/2701499>

Drawings

Dimensional drawing



Connection diagram




AXL E PB DIO16 M12 6P - Digital module



2701499

<https://www.phoenixcontact.com/us/products/2701499>

Approvals

 To download certificates, visit the product detail page: <https://www.phoenixcontact.com/us/products/2701499>

PROFIBUS

Approval ID: Z01809



cULus Listed

Approval ID: E140324



cULus Listed

Approval ID: E199827

AXL E PB DIO16 M12 6P - Digital module



2701499

<https://www.phoenixcontact.com/us/products/2701499>

Classifications

ECLASS

| | |
|-------------|----------|
| ECLASS-13.0 | 27242604 |
| ECLASS-15.0 | 27242604 |

ETIM

| | |
|-----------|----------|
| ETIM 10.0 | EC001599 |
|-----------|----------|

UNSPSC

| | |
|-------------|----------|
| UNSPSC 21.0 | 32151600 |
|-------------|----------|

2701499

<https://www.phoenixcontact.com/us/products/2701499>

Environmental product compliance

EU RoHS

| | |
|---|------|
| Fulfills EU RoHS substance requirements | Yes |
| Exemption | 6(c) |

China RoHS

| | |
|--|---|
| Environment friendly use period (EFUP) | EFUP-25 |
| | An article-related China RoHS declaration table can be found in the download area for the respective article under "Manufacturer declaration". For all articles with EFUP-E, no China RoHS declaration table issued and required. |

EU REACH SVHC

| | |
|-------------------------------------|-------------------------------------|
| REACH candidate substance (CAS No.) | Lead(CAS: 7439-92-1) |
| SCIP | a0c1b51f-fd77-42ed-a722-0cfeaf45a6f |

Phoenix Contact 2026 © - all rights reserved

<https://www.phoenixcontact.com>

Phoenix Contact USA
586 Fulling Mill Road
Middletown, PA 17057, United States
(+717) 944-1300
info@phoenixcon.com