

FL SWITCH 7008-EIP - Industrial Ethernet Switch



2701418

<https://www.phoenixcontact.com/us/products/2701418>

Please be informed that the data shown in this PDF document is generated from our online catalog. Please find the complete data in the user documentation. Our general terms of use for downloads are valid.



Managed Switch 7000 series, 8 RJ45 ports 10/100 Mbps, degree of protection: IP20, Ambient temperature (operation): -40 °C ... 70 °C, Supply voltage range: 12 V DC ... 58 V DC, PROFINET Conformance Class A, EtherNet/IP™

Your advantages

- RSTP with fast switch-over
- VLANs
- DHCP client, DHCP server (pool-based and port-based), DHCP option 82
- Common Industrial Protocol (CIP)
- Device Level Ring (DLR)
- Ambient temperature -40 °C ... 70 °C
- Web-based management, SNMP
- Slim design

Commercial data

Item number	2701418
Packing unit	1 pc
Minimum order quantity	1 pc
Sales key	DN17
Product key	DNN122
GTIN	4046356749732
Weight per piece (including packing)	1,050.5 g
Weight per piece (excluding packing)	900 g
Customs tariff number	85176200
Country of origin	DE

Technical data

Dimensions

Width	60 mm
Height	130 mm
Depth	135.5 mm

Mounting

Mounting type	DIN rail mounting
---------------	-------------------

Interfaces

Ethernet (RJ45)

Connection method	RJ45
Note on the connection method	Auto negotiation and autocrossing
Transmission speed	10/100 Mbps
Transmission physics	Copper
Transmission length	100 m (per segment)
Signal LEDs	Data receive, link status
No. of channels	8 (RJ45 ports)

Product properties

Product type	Switch
Product family	Managed Switch 7000
Type	Book type
MTTF	209.8 Years (SN 29500 standard, temperature 25°C, operating cycle 21%)
	105.79 Years (SN 29500 standard, temperature 40°C, operating cycle 34.25%)
	14.78 Years (SN 29500 standard, temperature 70°C, operating cycle 100%)
Special properties	EtherNet/IP™

Insulation characteristics

Protection class	III (VDE 0106, IEC 60536)
------------------	---------------------------

Switch functions

Diagnostic functions	Remanente Event-Table
	RMON History
	N:1-Portmirroring
	LLDP (Link Layer Discovery Protocol)
	SNMP-Traps
	ACD (Address Conflict Detection)
EtherNet/IP™ supported protocols	Common Industrial Protocol (CIP)
Basic functions	Store-and-forward switch, complies with IEEE 802.3
Signal contact control voltage	24 V DC (typical)

Signal contact control current	1 A (maximum)
PROFINET conformance class	Conformance Class A
PROFINET device function	Fast Startup
Filter functions	Quality of Service (8 priority classes)
	Port-Priorisierung
	VLAN (up to 32 VLANs)
	IGMP Snooping/Querier (v1/v2)
	Auto-Query-Port
	Extended Multicast Filtering
	Static Multicast Filtering (32 groups)
IP parameterization	Link Aggregation (up to 4 trunks)
	DHCP client
	DHCP Option 82 (Relay Agent)
	DHCP server (pool-based, port-based)
MAC address table	16k
Management	Web-based management (HTTP/HTTPS)
	SNMPv1/v2/v3
Redundancy	DLR (Device Level Ring)
	RSTP (Rapid Spanning Tree Protocol)
	FRD (Fast Ring Detection)
	Large Tree Support
Status and diagnostic indicators	LEDs: US1, US2 (power supply), Fail (alarm contact), 2 LEDs per Ethernet port (Link and switchable Activity/Speed/Duplex) EtherNet/IP™ status LED: Net, Mod
Additional functions	MAC-based Port-Security
Time synchronization	PTP 1588 (Transparent clock on the DLR ports)

Security functions

Basic functions	Store-and-forward switch, complies with IEEE 802.3
-----------------	--

Electrical properties

Power consumption	8.4 W
Local diagnostics	US1/2 Supply voltage US1, US2 Green LED
	FAIL Div. LED red
	LINK Link status Green LED
Maximum power dissipation for nominal condition	8.4 W (at $U_S = 24$ V DC)
Test section	500 V DC 1 min
Transmission medium	Copper

Supply

Supply voltage (DC)	24 V DC (redundant)
Supply voltage range	12 V DC ... 58 V DC
Power supply connection	Via COMBICON, max. conductor cross-section 2.5 mm ²
Residual ripple	3.6 V _{PP} (within the permitted voltage range)

FL SWITCH 7008-EIP - Industrial Ethernet Switch



2701418

<https://www.phoenixcontact.com/us/products/2701418>

Typical current consumption	333 mA (at $U_S = 24$ V DC)
-----------------------------	-----------------------------

Function

Signal contact control voltage	24 V DC (typical)
Signal contact control current	1 A (maximum)

Connection data

Connection method	Screw connection
Conductor cross-section, rigid	0.2 mm ² ... 2.5 mm ²
Conductor cross-section, flexible	0.2 mm ² ... 2.5 mm ²
Conductor cross-section AWG	24 ... 12
Stripping length	7 mm

Environmental and real-life conditions

Ambient conditions

Degree of protection	IP20
Ambient temperature (operation)	-40 °C ... 70 °C
Ambient temperature (storage/transport)	-40 °C ... 85 °C
Permissible humidity (operation)	10 % ... 95 % (non-condensing)
Permissible humidity (storage/transport)	10 % ... 95 % (non-condensing)
Vibration (operation)	in acc. with IEC 60068-2-6: 5g, 150 Hz
Air pressure (operation)	86 kPa ... 108 kPa (1500 m above sea level)
Air pressure (storage/transport)	66 kPa ... 108 kPa (3500 m above sea level)

Standards and regulations

Free from substances that could impair the application of coating	Yes
---	-----

Approvals

Conformity/Approvals

Noxious gas test	ISA S71.04.2013 G3 Harsh Group A
------------------	----------------------------------

EMC data

Electromagnetic compatibility	Conformance with EMC Directive 2004/108/EC
Conformance with EMC directives	IEC 61000-6-2 IEC 61000-4-2 (ESD) Criterion B
	IEC 61000-6-2 EN 61000-4-3 (electromagnetic fields) Criterion A
	IEC 61000-6-2 IEC 61000-4-4 (burst) Criterion A
	IEC 61000-6-2 IEC 61000-4-5 (surge) Criterion A
	IEC 61000-6-2 IEC 61000-4-6 (immunity to conducted interference) Criterion A
Noise immunity	EN 61000-6-2:2005

Noise emission

Standards/regulations	EN 61000-6-4
-----------------------	--------------

System properties

FL SWITCH 7008-EIP - Industrial Ethernet Switch



2701418

<https://www.phoenixcontact.com/us/products/2701418>

Functionality

Basic functions

Store-and-forward switch, complies with IEEE 802.3

Signaling

Status display

LEDs: US1, US2 (power supply), Fail (alarm contact), 2 LEDs per Ethernet port (Link and switchable Activity/Speed/Duplex)
EtherNet/IP™ status LED: Net, Mod

FL SWITCH 7008-EIP - Industrial Ethernet Switch

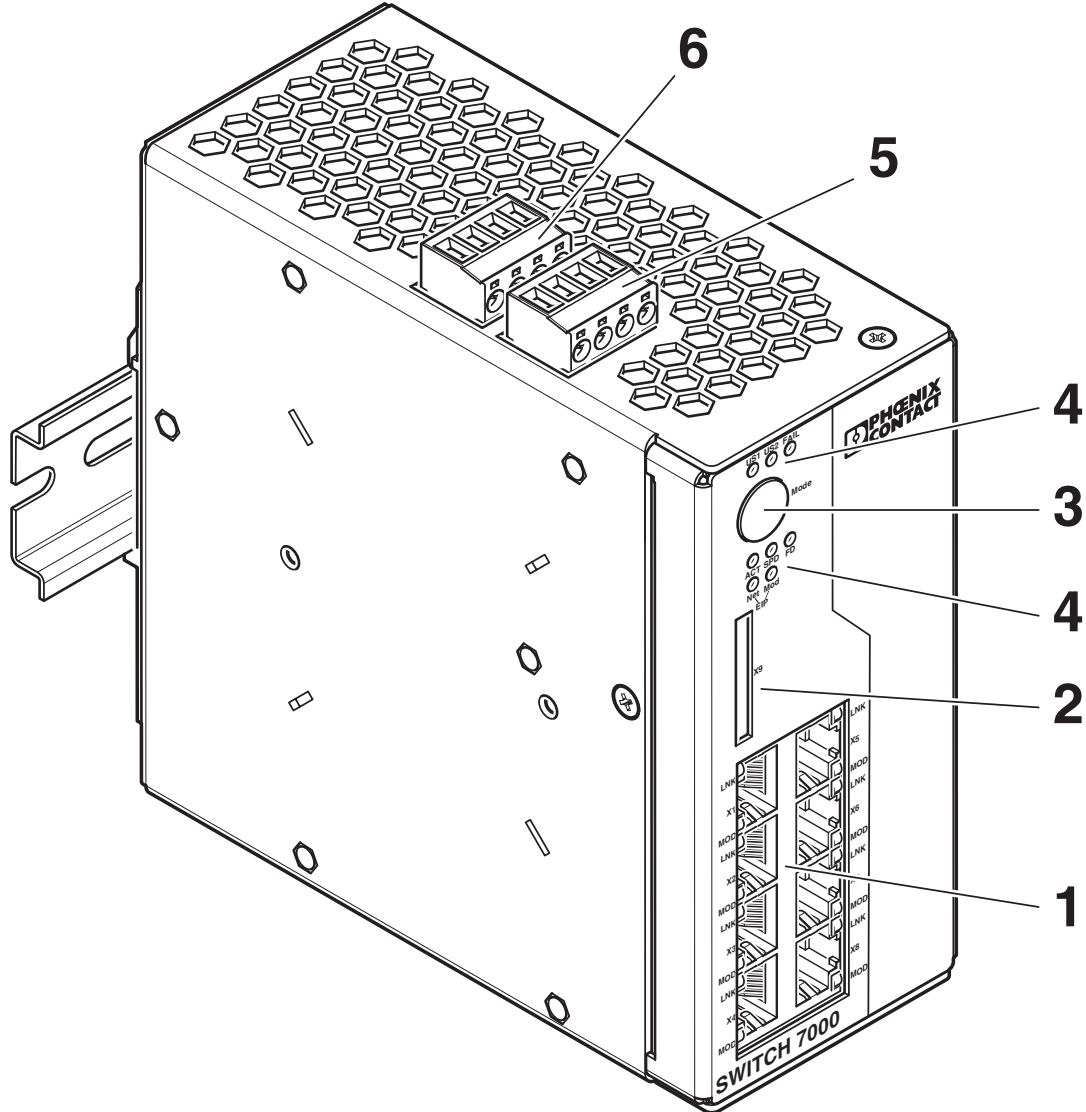


2701418

<https://www.phoenixcontact.com/us/products/2701418>

Drawings

Schematic diagram



Key:

- 1 Ethernet ports
- 2 Slot for optional SD memory card
- 3 Mode switch with LEDs
- 4 Diagnostics and status indicators
- 5 Connection of the supply voltage
- 6 Floating signal contact

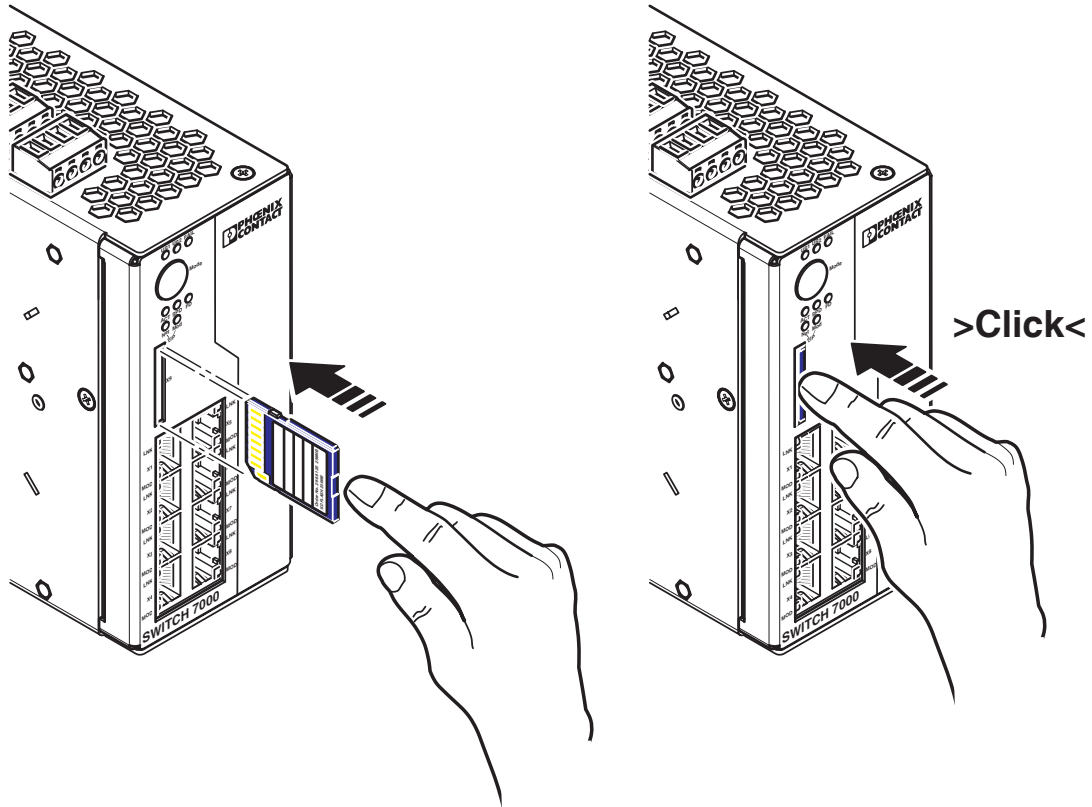
FL SWITCH 7008-EIP - Industrial Ethernet Switch



2701418

<https://www.phoenixcontact.com/us/products/2701418>

Schematic diagram



Inserting/removing the SD card

FL SWITCH 7008-EIP - Industrial Ethernet Switch



2701418

<https://www.phoenixcontact.com/us/products/2701418>

Classifications

UNSPSC

UNSPSC 21.0	43222600
-------------	----------

2701418

<https://www.phoenixcontact.com/us/products/2701418>

Environmental product compliance

EU RoHS

Fulfills EU RoHS substance requirements	Yes
Exemption	15(a), 6(a)-I, 7(a), 7(c)-I

China RoHS

Environment friendly use period (EFUP)	EFUP-50
	An article-related China RoHS declaration table can be found in the download area for the respective article under "Manufacturer declaration". For all articles with EFUP-E, no China RoHS declaration table issued and required.

EU REACH SVHC

REACH candidate substance (CAS No.)	Lead(CAS: 7439-92-1)
-------------------------------------	----------------------

Phoenix Contact 2026 © - all rights reserved
<https://www.phoenixcontact.com>

Phoenix Contact USA
586 Fulling Mill Road
Middletown, PA 17057, United States
(+717) 944-1300
info@phoenixcon.com