

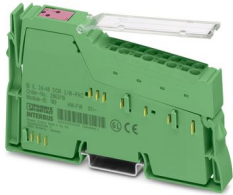
IB IL 24/48 DOR 2/W-XC-PAC - Inline terminal



2701214

<https://www.phoenixcontact.com/us/products/2701214>

Please be informed that the data shown in this PDF document is generated from our online catalog. Please find the complete data in the user documentation. Our general terms of use for downloads are valid.



Inline, Relay terminal, Relay output: 2 (floating contacts), 2 floating changeover contacts, 24 V AC / 48 V DC, for switching ohmic loads, Extreme conditions version, transmission speed in the local bus: 500 kbps, degree of protection: IP20, including Inline connector and labeling field

Similar figure

Product description

The terminal is designed for use within an Inline station. It has two floating SPDT relay contacts, which are independent of one another. Thanks to special engineering measures and tests, the terminal can be used under extreme ambient conditions.

Your advantages

- 2 relays
- Floating connections for 2 actuators
- Total current of the terminal: 4 A
- Diagnostic and status indicators
- Nominal current per output: 2 A

Commercial data

Item number	2701214
Packing unit	1 pc
Note	Made to order (non-returnable)
Sales key	DR01
Product key	DRI133
GTIN	4046356727792
Weight per piece (including packing)	85.4 g
Weight per piece (excluding packing)	63 g
Customs tariff number	85389091
Country of origin	DE

2701214

<https://www.phoenixcontact.com/us/products/2701214>

Technical data

Dimensions

Dimensional drawing	
Width	12.2 mm
Height	119.8 mm
Depth	71.5 mm
Note on dimensions	Housing dimensions

Material specifications

Color	green
-------	-------

Interfaces

Inline local bus

Number of interfaces	2
Connection method	Inline data jumper
Transmission speed	500 kbps

System properties

Programming data

Length code (hex)	C2
ID code (dec.)	189
Length code (dec)	194
Process data channel	2 bit
Input address area	0 bit
Output address area	2 bit
Parameter channel (PCP)	0 bit
Register length (bus)	2 bit

Fieldbus data telegram

Required parameter data	3 Byte
Required configuration data	4 Byte

Output data

Digital:

Output name	Relay output
Output description	Relay changeover contact

IB IL 24/48 DOR 2/W-XC-PAC - Inline terminal



2701214

<https://www.phoenixcontact.com/us/products/2701214>

Connection method	Spring-cage connection
Number of outputs	2 (floating contacts)
Maximum output current per channel	2 A
Maximum output current per module	4 A
Nominal output voltage	24 V AC 48 V DC
Output voltage range	5 V AC ... 30 V AC 5 V DC ... 60 V DC

Relay

Contact switching type	2 floating changeover contacts
Switching voltage	min. 10 mV (DC) max. 30 V AC (PELV (EN 61131)) max. 60 V DC (PELV (EN 61131))
Switching current	min. 10 μ A 2 A (30 V DC) 1 A (60 V DC)
Switching power	60 W 62.5 VA (ohmic)
Limiting continuous current	2 A (at maximum ambient temperature)
Mechanical service life	2x 10 ⁵ cycles

Product properties

Product type	I/O component
Product family	Inline
Type	modular
Scope of supply	including Inline connector and labeling field
No. of channels	2
Operating mode	Process data mode with 2 bits
Special properties	for switching ohmic loads Extreme conditions version

Electrical properties

Potentials: Communications power (U_L)

Supply voltage	7.5 V DC (via voltage jumper)
Current draw	max. 30 mA

Electrical isolation/isolation of the voltage ranges

Test voltage: Relay contact / Bus logics	1.5 kV, 50 Hz, 1 min
Test voltage: Contact/contact	1 kV, 50 Hz, 1 min
Test voltage: Contact / PE	1 kV, 50 Hz, 1 min

Connection data

Connection technology

IB IL 24/48 DOR 2/W-XC-PAC - Inline terminal



2701214

<https://www.phoenixcontact.com/us/products/2701214>

Connection name	Inline connector
-----------------	------------------

Inline connector

Connection method	Spring-cage connection
Conductor cross-section, rigid	0.08 mm ² ... 1.5 mm ²
Conductor cross-section, flexible	0.08 mm ² ... 1.5 mm ²
Conductor cross-section AWG	28 ... 16
Stripping length	8 mm

Environmental and real-life conditions

Ambient conditions

Ambient temperature (operation)	-25 °C ... 55 °C (Standard) -40 °C ... 70 °C (Extended, see section "Tested successfully: use under extreme ambient conditions" in the data sheet.)
Degree of protection	IP20
Air pressure (operation)	70 kPa ... 106 kPa (up to 3000 m above sea level)
Air pressure (storage/transport)	70 kPa ... 106 kPa (up to 3000 m above sea level)
Ambient temperature (storage/transport)	-40 °C ... 85 °C
Permissible humidity (operation)	10 % ... 95 % (according to DIN EN 61131-2)
Permissible humidity (storage/transport)	10 % ... 95 % (according to DIN EN 61131-2)

Standards and regulations

Protection class	III (IEC 61140, EN 61140, VDE 0140-1)
------------------	---------------------------------------

Mounting

Mounting type	DIN rail mounting
---------------	-------------------

IB IL 24/48 DOR 2/W-XC-PAC - Inline terminal



2701214

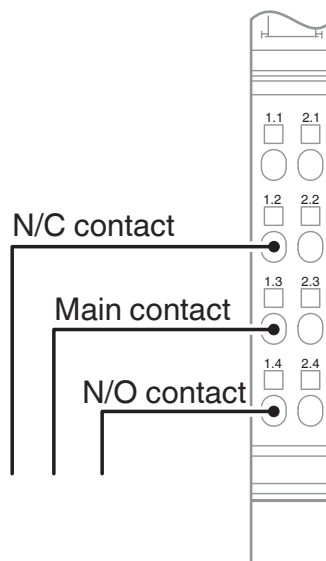
<https://www.phoenixcontact.com/us/products/2701214>

Drawings

Dimensional drawing



Connection diagram



IB IL 24/48 DOR 2/W-XC-PAC - Inline terminal



2701214

<https://www.phoenixcontact.com/us/products/2701214>

Classifications

UNSPSC

UNSPSC 21.0	32151602
-------------	----------

IB IL 24/48 DOR 2/W-XC-PAC - Inline terminal



2701214

<https://www.phoenixcontact.com/us/products/2701214>

Environmental product compliance

China RoHS

Environment friendly use period (EFUP)	EFUP-E
	No hazardous substances above the limits

EU REACH SVHC

REACH candidate substance (CAS No.)	No substance above 0.1 wt%
-------------------------------------	----------------------------

Phoenix Contact 2026 © - all rights reserved
<https://www.phoenixcontact.com>

Phoenix Contact USA
586 Fulling Mill Road
Middletown, PA 17057, United States
(+717) 944-1300
info@phoenixcon.com