

# IB IL 24 PWR IN-XC-PAC - Feed-in module



2701161

<https://www.phoenixcontact.com/us/products/2701161>

Please be informed that the data shown in this PDF document is generated from our online catalog. Please find the complete data in the user documentation. Our general terms of use for downloads are valid.



Inline power terminal, version for extreme conditions, complete with accessories (connector and labeling field), 24 V DC, without fuse

The figure shows the standard item

## Product description

The terminal is designed for use within an Inline station. It enables the 24 V supply voltage to be fed into the main circuit ( $U_M$ ). In addition, this terminal can be used to supply power for a 24 V segment circuit ( $U_S$ ). Thanks to special engineering measures and tests, the terminal can be used under extreme ambient conditions.

## Your advantages

- Supply of the 24 V main voltage  $U_{M}$
- Feed-in or provision of the 24 V segment voltage  $U_S$
- Main circuit protected by an external fuse
- Segment circuit can be protected by an external fuse
- Can be used under extreme ambient conditions
- Extended temperature range of  $-40\text{ °C} \dots +70\text{ °C}$  (see "Tested successfully: use under extreme ambient conditions" in the data sheet)
- Coated PCBs

## Commercial data

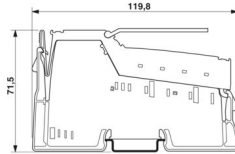
Item number	2701161
Packing unit	1 pc
Minimum order quantity	1 pc
Sales key	DR01
Product key	DRI121
GTIN	4046356713740
Weight per piece (including packing)	82.733 g
Weight per piece (excluding packing)	59 g
Customs tariff number	85366990
Country of origin	DE

2701161

<https://www.phoenixcontact.com/us/products/2701161>

## Technical data

### Dimensions

Dimensional drawing	
Width	12.2 mm
Height	119.8 mm
Depth	71.5 mm

### Notes

Note on application

Note on application	Only for industrial use
---------------------	-------------------------

### Interfaces

Inline local bus

Number of interfaces	2
Connection method	Inline data jumper
Transmission speed	500 kbps / 2 Mbps (Can be used in Inline stations with these transmission speeds)

### System properties

Module

ID code (dec.)	none
ID code (hex)	none
Register length	0 bit
Required parameter data	0 Byte
Required configuration data	0 Byte

### Product properties

Product type	I/O component
Product family	Inline
Type	modular
Special properties	24 V DC
	$U_M, U_S$
	Extreme conditions version

Insulation characteristics

Protection class	III (IEC 61140, EN 61140, VDE 0140-1)
------------------	---------------------------------------

## Electrical properties

Maximum power dissipation for nominal condition	1.8 W
Test section	5 V supply, incoming remote bus/7.5 V supply (bus logics) 500 V AC 50 Hz 1 min
	5 V supply, outgoing remote bus/7.5 V supply (bus logics) 500 V AC 50 Hz 1 min
	7.5 V supply (bus logics)/24 V supply (I/O) 500 V AC 50 Hz 1 min
	24 V supply (I/O) / functional ground 500 V AC 50 Hz 1 min
Protective circuit	Surge protection; Suppressor diode
	Reverse polarity protection; Parallel polarity protection diode
	Overload protection, short-circuit protection in the segment circuit; No

### Potentials: Main circuit supply ( $U_M$ )

Supply voltage	24 V DC (nominal value)
Supply voltage range	19.2 V ... 30 V (including all tolerances, including ripple)
Power supply	max. 8 A (sum of $U_M + U_S$ )

### Potentials: Segment circuit supply ( $U_S$ )

Supply voltage	24 V DC (nominal value)
Supply voltage range	19.2 V DC ... 30 V DC (including all tolerances, including ripple)
Power supply	max. 8 A (sum of $U_M + U_S$ )

## Connection data

### Connection technology

Connection name	Inline connector
-----------------	------------------

### Inline connector

Connection method	Spring-cage connection
Conductor cross-section, rigid	0.08 mm <sup>2</sup> ... 1.5 mm <sup>2</sup>
Conductor cross-section, flexible	0.08 mm <sup>2</sup> ... 1.5 mm <sup>2</sup>
Conductor cross-section AWG	28 ... 16
Stripping length	8 mm

## Environmental and real-life conditions

### Ambient conditions

Degree of protection	IP20
Ambient temperature (operation)	-25 °C ... 55 °C (Standard)
	-40 °C ... 70 °C (Extended, see section "Tested successfully: use under extreme ambient conditions" in the data sheet.)
Ambient temperature (storage/transport)	-40 °C ... 85 °C
Permissible humidity (operation)	10 % ... 95 % (according to DIN EN 61131-2)
Permissible humidity (storage/transport)	10 % ... 95 % (according to DIN EN 61131-2)
Air pressure (operation)	70 kPa ... 106 kPa (up to 3000 m above sea level)
Air pressure (storage/transport)	70 kPa ... 106 kPa (up to 3000 m above sea level)

# IB IL 24 PWR IN-XC-PAC - Feed-in module



2701161

<https://www.phoenixcontact.com/us/products/2701161>

## Mounting

Mounting type	DIN rail mounting
---------------	-------------------

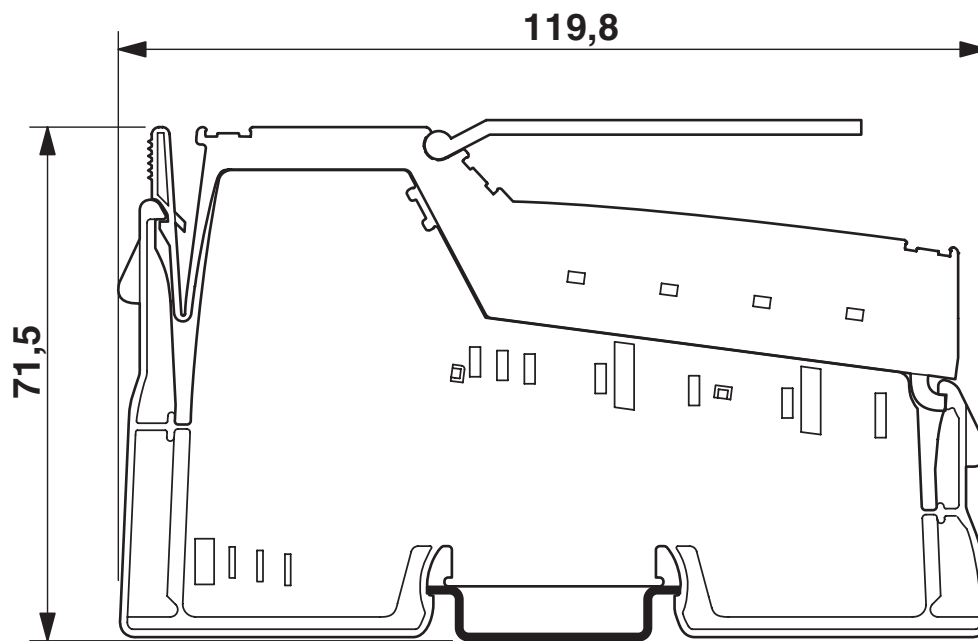
# IB IL 24 PWR IN-XC-PAC - Feed-in module

2701161

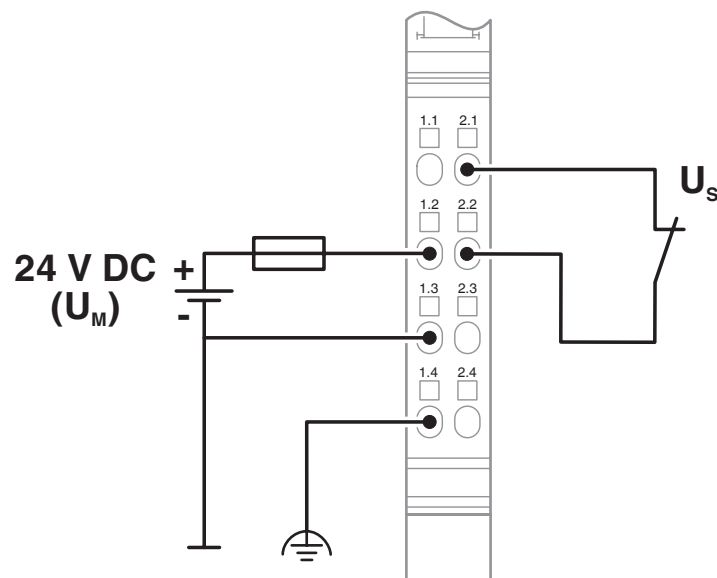
<https://www.phoenixcontact.com/us/products/2701161>

## Drawings

Dimensional drawing



Connection diagram



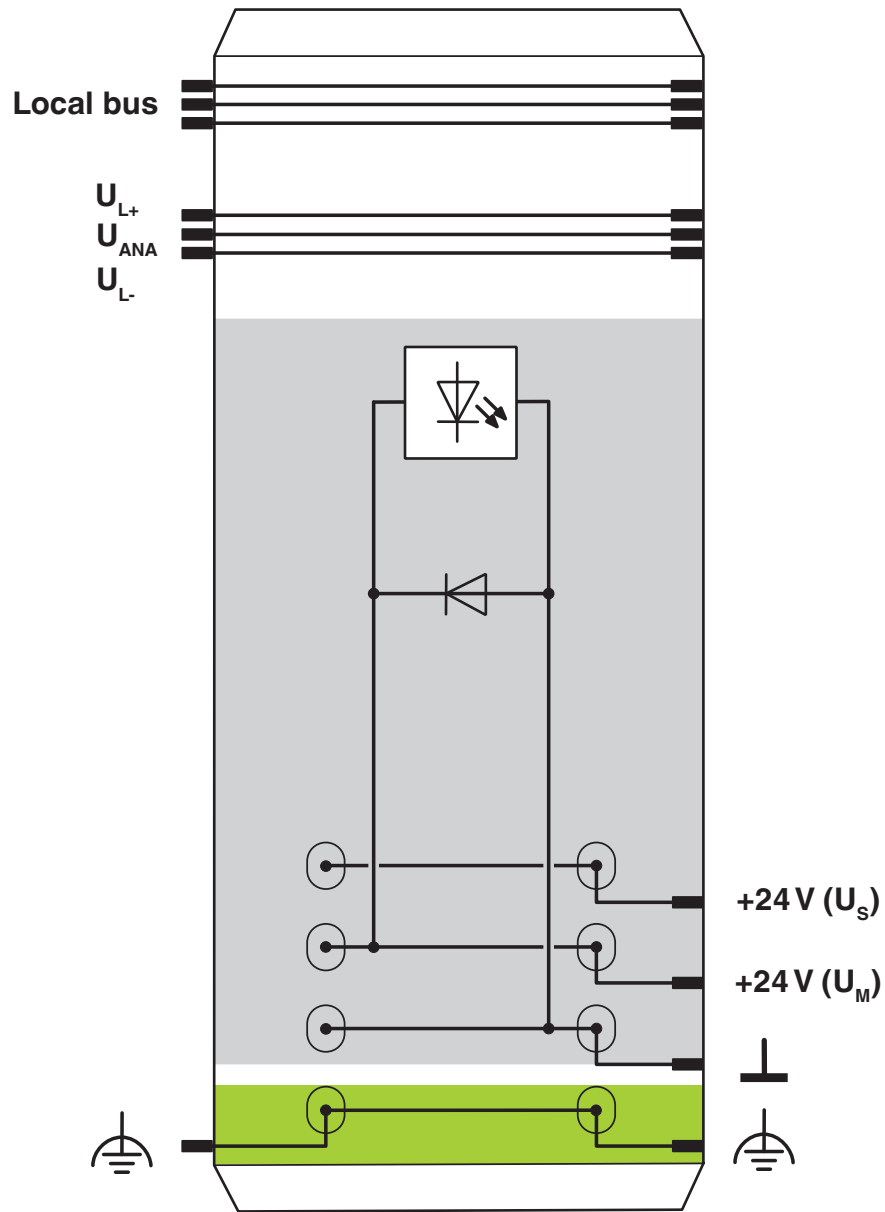
# IB IL 24 PWR IN-XC-PAC - Feed-in module

2701161

<https://www.phoenixcontact.com/us/products/2701161>



Block diagram



Internal wiring of the terminal points

# IB IL 24 PWR IN-XC-PAC - Feed-in module



2701161

<https://www.phoenixcontact.com/us/products/2701161>

## Approvals

To download certificates, visit the product detail page: <https://www.phoenixcontact.com/us/products/2701161>



**cULus Recognized**

Approval ID: E140324

# IB IL 24 PWR IN-XC-PAC - Feed-in module



2701161

<https://www.phoenixcontact.com/us/products/2701161>

## Classifications

### ECLASS

ECLASS-13.0	27242610
ECLASS-15.0	27242610

### ETIM

ETIM 9.0	EC001600
----------	----------

### UNSPSC

UNSPSC 21.0	32151600
-------------	----------

2701161

<https://www.phoenixcontact.com/us/products/2701161>

## Environmental product compliance

### EU RoHS

Fulfills EU RoHS substance requirements	Yes
Exemption	7(a), 7(c)-I

### China RoHS

Environment friendly use period (EFUP)	EFUP-50
	An article-related China RoHS declaration table can be found in the download area for the respective article under "Manufacturer declaration". For all articles with EFUP-E, no China RoHS declaration table issued and required.

### EU REACH SVHC

REACH candidate substance (CAS No.)	Lead(CAS: 7439-92-1)
SCIP	b086a164-8811-4354-9aee-677c88e0919a

Phoenix Contact 2026 © - all rights reserved

<https://www.phoenixcontact.com>

Phoenix Contact USA  
586 Fulling Mill Road  
Middletown, PA 17057, United States  
(+717) 944-1300  
[info@phoenixcon.com](mailto:info@phoenixcon.com)