

# IBS IL 24 RB-T-XC-PAC - Communication module



2701151

<https://www.phoenixcontact.com/us/products/2701151>

Please be informed that the data shown in this PDF document is generated from our online catalog. Please find the complete data in the user documentation. Our general terms of use for downloads are valid.



Inline, branch terminal, INTERBUS, Inline shield plug, with remote bus branch, extreme conditions version, transmission speed in the local bus: 500 Kbps, degree of protection: IP20, including Inline connector and marking field

## Your advantages

- Diagnostic and status indicators
- Can be used under extreme ambient conditions
- Extended temperature range of -40 °C ... +70 °C (see "Tested successfully: use under extreme ambient conditions" in the data sheet)
- Coated PCBs

## Commercial data

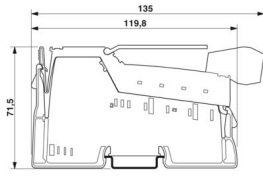
Item number	2701151
Packing unit	1 pc
Minimum order quantity	1 pc
Sales key	DR01
Product key	DRI152
GTIN	4046356713788
Weight per piece (including packing)	96 g
Weight per piece (excluding packing)	67 g
Customs tariff number	85389091
Country of origin	DE

2701151

<https://www.phoenixcontact.com/us/products/2701151>

## Technical data

### Dimensions

Dimensional drawing		
Width		12.2 mm
Height		135 mm
Depth		71.5 mm

### Notes

#### Note on application

Note on application	Only for industrial use
---------------------	-------------------------

### Interfaces

#### INTERBUS

Connection method	Inline data jumper
Transmission speed	500 kbps

#### INTERBUS

Connection method	Inline shield connector
Transmission speed	500 kbps
Transmission physics	RS-485

#### Inline local bus

Connection method	Inline data jumper
Transmission speed	500 kbps
Transmission physics	Copper

### System properties

#### System limits

Number of local bus devices that can be connected	max. 63 (Consider the logic current consumed by the devices; the branch terminal does not count as an Inline station device.)
---	---

#### Module

ID code (dec.)	04
ID code (hex)	04
Length code (hex)	0
Length code (dec)	0
Process data channel	0 bit

2701151

<https://www.phoenixcontact.com/us/products/2701151>

Input address area	0 Byte
Output address area	0 Byte
Register length	0 bit

## Product properties

Product type	I/O component
Product family	Inline
Type	modular
Scope of supply	including Inline connector and labeling field
Special properties	with remote bus branch Extreme conditions version

## Electrical properties

Potentials: Supply of analog modules ( $U_{ANA}$ )

Supply voltage	24 V DC (via voltage jumper)
Supply voltage range	19.2 V DC ... 30 V DC (including all tolerances, including ripple)
Current draw	typ. 29 mA

Electrical isolation/isolation of the voltage ranges

Test voltage: 5 V supply, incoming remote bus, 5 V supply outgoing remote bus, 5 V supply logic	500 V AC, 50 Hz, 1 min
Test voltage: Remote bus branch	500 V AC, 50 Hz, 1 min
Test voltage: Functional ground	500 V AC, 50 Hz, 1 min

## Connection data

Connection technology

Connection name	Inline connector
-----------------	------------------

Inline connector

Connection method	Spring-cage connection
Conductor cross-section, rigid	0.08 mm <sup>2</sup> ... 1.5 mm <sup>2</sup>
Conductor cross-section, flexible	0.08 mm <sup>2</sup> ... 1.5 mm <sup>2</sup>
Conductor cross-section AWG	28 ... 16
Stripping length	8 mm

## Environmental and real-life conditions

Ambient conditions

Ambient temperature (operation)	-25 °C ... 55 °C
	-40 °C ... 70 °C (Extended, see section "Tested successfully: use under extreme ambient conditions" in the data sheet.)
Degree of protection	IP20
Air pressure (operation)	70 kPa ... 106 kPa (up to 3000 m above sea level)
Air pressure (storage/transport)	70 kPa ... 106 kPa (up to 3000 m above sea level)
Ambient temperature (storage/transport)	-40 °C ... 85 °C

2701151

<https://www.phoenixcontact.com/us/products/2701151>

Permissible humidity (operation)	10 % ... 95 % (according to DIN EN 61131-2)
Permissible humidity (storage/transport)	10 % ... 95 % (according to DIN EN 61131-2)

## Standards and regulations

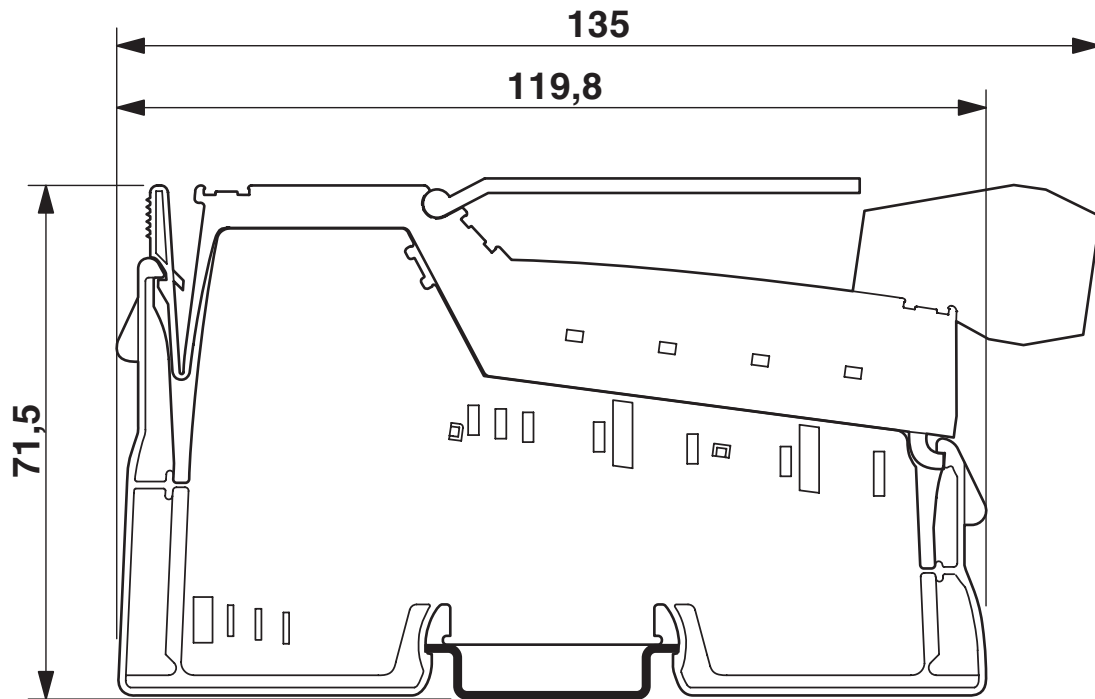
Protection class	III (IEC 61140, EN 61140, VDE 0140-1)
------------------	---------------------------------------

## Mounting

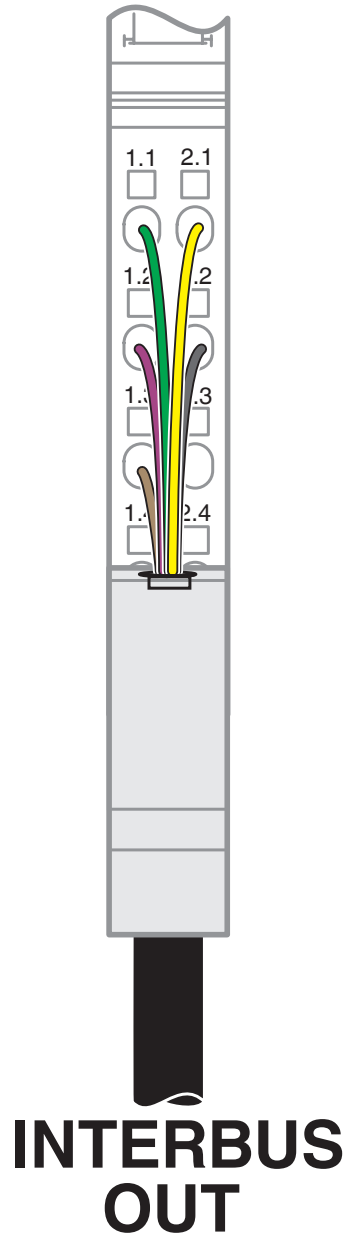
Mounting type	DIN rail mounting
---------------	-------------------

Drawings

Dimensional drawing



Connection diagram

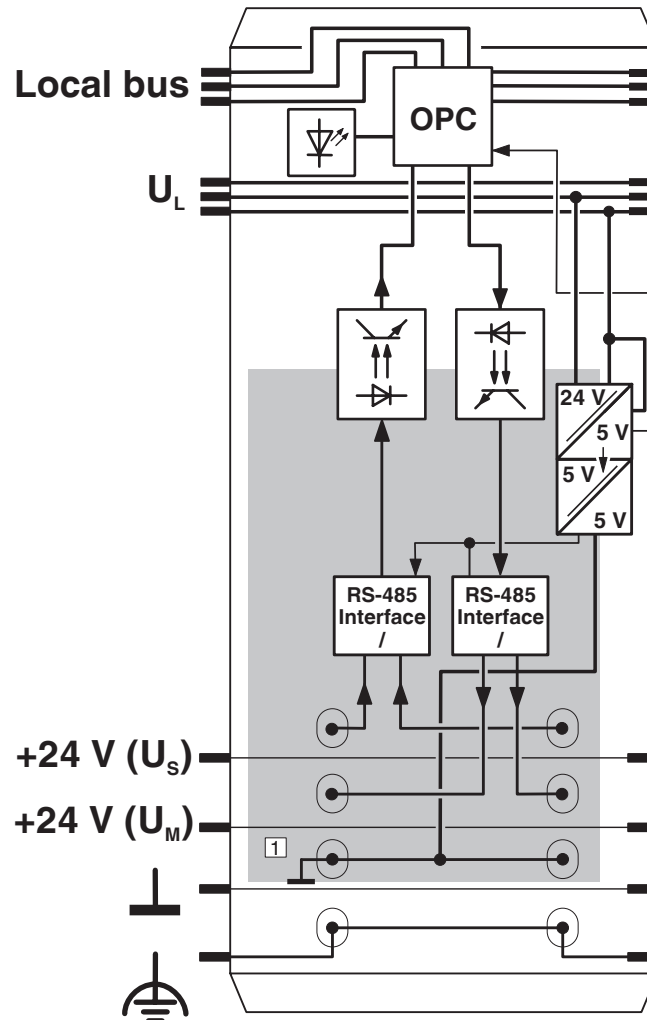


# IBS IL 24 RB-T-XC-PAC - Communication module

2701151

<https://www.phoenixcontact.com/us/products/2701151>

Block diagram



Internal wiring of the terminal points

# IBS IL 24 RB-T-XC-PAC - Communication module



2701151

<https://www.phoenixcontact.com/us/products/2701151>

## Approvals

To download certificates, visit the product detail page: <https://www.phoenixcontact.com/us/products/2701151>



**cULus Recognized**

Approval ID: E140324

2701151

<https://www.phoenixcontact.com/us/products/2701151>

## Classifications

### ECLASS

ECLASS-13.0	27242608
ECLASS-15.0	27242608

### ETIM

ETIM 9.0	EC001604
----------	----------

### UNSPSC

UNSPSC 21.0	32151600
-------------	----------

2701151

<https://www.phoenixcontact.com/us/products/2701151>

## Environmental product compliance

### EU RoHS

Fulfills EU RoHS substance requirements	Yes
Exemption	7(a), 7(c)-I

### China RoHS

Environment friendly use period (EFUP)	EFUP-E
	No hazardous substances above the limits

### EU REACH SVHC

REACH candidate substance (CAS No.)	Lead(CAS: 7439-92-1)
SCIP	2fb258db-37a7-47d3-90b5-8d66ba6b1731

Phoenix Contact 2026 © - all rights reserved  
<https://www.phoenixcontact.com>

Phoenix Contact USA  
586 Fulling Mill Road  
Middletown, PA 17057, United States  
(+717) 944-1300  
[info@phoenixcon.com](mailto:info@phoenixcon.com)