

# NLC-OP1-MKT - Mounting kit



2701140

<https://www.phoenixcontact.com/us/products/2701140>

Please be informed that the data shown in this PDF document is generated from our online catalog. Please find the complete data in the user documentation. Our general terms of use for downloads are valid.

## Mounting kit



## Product description

Mounting kit for Nanoline Operator Panel. Includes receptor housing installed in base unit, mounting brackets for installation in cabinet and cable to connect base unit.

## Commercial data

Item number	2701140
Packing unit	1 pc
Minimum order quantity	1 pc
Note	Made to order (non-returnable)
Sales key	DR11
Product key	DRACAZ
GTIN	4046356325271
Weight per piece (including packing)	156 g
Weight per piece (excluding packing)	151.6 g
Customs tariff number	85366990
Country of origin	IN

# NLC-OP1-MKT - Mounting kit

2701140

<https://www.phoenixcontact.com/us/products/2701140>



## Set consists of

### NLC-OP1-MKT-BASE - Mounting unit

2701250

<https://www.phoenixcontact.com/us/products/2701250>

Panel to mount in base unit, RJ-45 connector for remote Operator Panel



---

### NLC-OP1-MKT-BRACKET - Mounting bracket

2701263

<https://www.phoenixcontact.com/us/products/2701263>

Mounting bracket for remote installation of Operator Panel



# NLC-OP1-MKT - Mounting kit

2701140

<https://www.phoenixcontact.com/us/products/2701140>



## NLC-OP1-MKT-CBL - Cable

2701438

<https://www.phoenixcontact.com/us/products/2701438>

Cable for operator terminal



# NLC-OP1-MKT - Mounting kit

2701140

<https://www.phoenixcontact.com/us/products/2701140>



## Technical data

### Product properties

Product type	Mounting material
--------------	-------------------

### Electrical properties

#### Supply

Max. current consumption	50 mA
Typical current consumption	32 mA

### Dimensions

Width	76 mm
Height	31.5 mm
Depth	46 mm

### Environmental and real-life conditions

#### Ambient conditions

Ambient temperature (operation)	0 °C ... 50 °C
Ambient temperature (storage/transport)	0 °C ... 60 °C

### Mounting

Mounting type	Control cabinet door mounting
---------------	-------------------------------

# NLC-OP1-MKT - Mounting kit

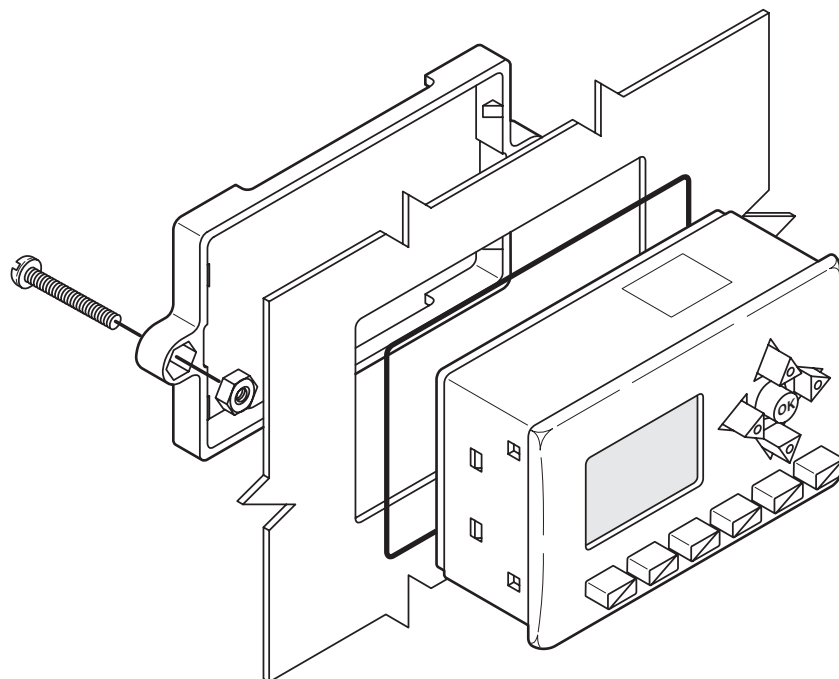
2701140

<https://www.phoenixcontact.com/us/products/2701140>



## Drawings

Schematic diagram



# NLC-OP1-MKT - Mounting kit



2701140

<https://www.phoenixcontact.com/us/products/2701140>

## Classifications

### ECLASS

ECLASS-13.0

27240692

### ETIM

ETIM 9.0

EC002584

### UNSPSC

UNSPSC 21.0

39121400

# NLC-OP1-MKT - Mounting kit



2701140

<https://www.phoenixcontact.com/us/products/2701140>

## Environmental product compliance

### China RoHS

Environment friendly use period (EFUP)	EFUP-50
	An article-related China RoHS declaration table can be found in the download area for the respective article under "Manufacturer declaration". For all articles with EFUP-E, no China RoHS declaration table issued and required.

### EU REACH SVHC

REACH candidate substance (CAS No.)	No substance above 0.1 wt%
-------------------------------------	----------------------------

Phoenix Contact 2026 © - all rights reserved  
<https://www.phoenixcontact.com>

Phoenix Contact USA  
586 Fulling Mill Road  
Middletown, PA 17057, United States  
(+717) 944-1300  
[info@phoenixcon.com](mailto:info@phoenixcon.com)