

2701137

<https://www.phoenixcontact.com/us/products/2701137>

Please be informed that the data shown in this PDF document is generated from our online catalog. Please find the complete data in the user documentation. Our general terms of use for downloads are valid.

User interface for Nanoline controllers. Mounts directly on the base unit. Can be mounted remotely using the mounting kit.



## Product description

User interface for Nanoline controllers. 8-line, 20-character backlit display provides operation and setup information to the user. Numeric and directional buttons allow entry and selection of data into the controller. Can be mounted directly on the base unit, mounted remotely using the optional mounting kit, or used as a service tool.

## Your advantages

- Numeric (0 - 9), direction (up, down, left, right), and Enter keys can be used to input custom messages
- Displays messages prompting user input
- Can be integrated in the basic unit or installed remotely on a panel (1 m distance)
- Variable font sizes for improved legibility of custom messages (4 x 20 or 2 x 10 or a combination of the two)
- The hot-swappable design enables use as a service tool and for security
- Provides access to view all I/O points, registers, flags, timers, counters, program flags, and system flags

## Commercial data

Item number	2701137
Packing unit	1 pc
Minimum order quantity	1 pc
Sales key	DR11
Product key	DRACAF
GTIN	4046356325288
Weight per piece (including packing)	121.7 g
Weight per piece (excluding packing)	118.3 g
Customs tariff number	85371098
Country of origin	IN

## Technical data

### Product properties

Product type	Operator interface
Display	
Display type	Backlit LC display, monochrome, 4 lines with 20 characters or 2 lines with 10 characters

### Electrical properties

Supply	
Supply voltage	Power available via logic module
Power supply connection	RJ45
Max. current consumption	50 mA
Typical current consumption	32 mA

### Interfaces

Operator Panel	
Connection method	RJ45
Transmission length	max. 1 m

### Dimensions

Width	76 mm
Height	46 mm
Depth	31.5 mm

### Environmental and real-life conditions

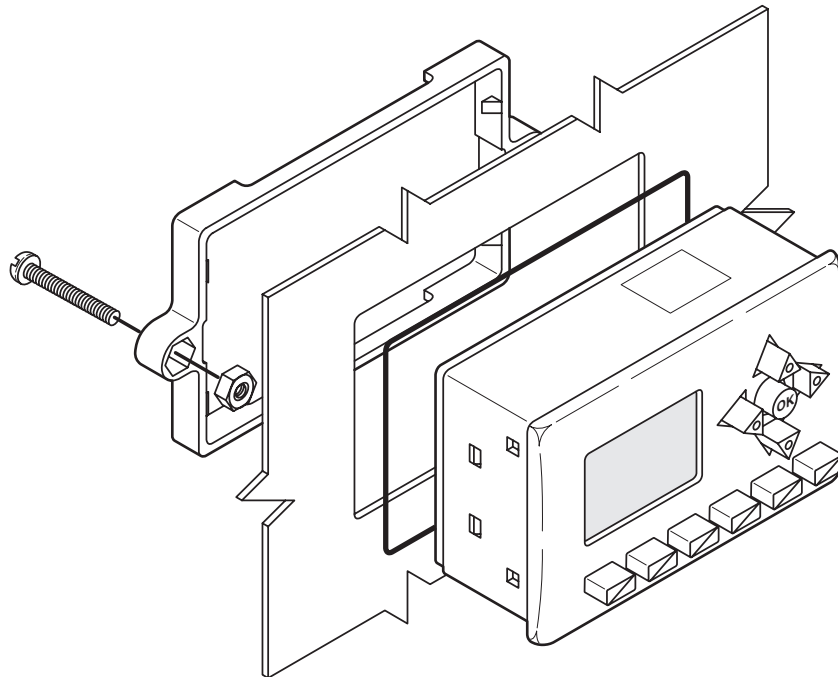
Ambient conditions	
Degree of protection	IP67/IP20
Ambient temperature (operation)	0 °C ... 50 °C
Ambient temperature (storage/transport)	0 °C ... 60 °C

### Mounting

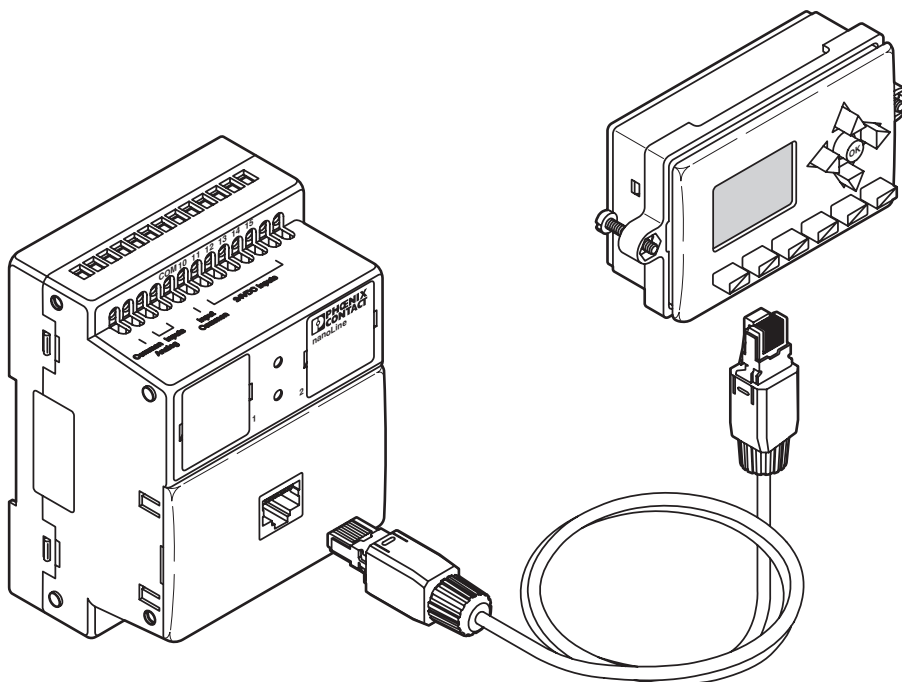
Mounting type	In logic module or with remote mounting kit
---------------	---

## Drawings

Schematic diagram



Schematic diagram



2701137

<https://www.phoenixcontact.com/us/products/2701137>

## Approvals

🔗 To download certificates, visit the product detail page: <https://www.phoenixcontact.com/us/products/2701137>



**UL Listed**

Approval ID: E238705



**cUL Listed**

Approval ID: E238705

2701137

<https://www.phoenixcontact.com/us/products/2701137>

## Classifications

### ECLASS

ECLASS-13.0

27242216

### ETIM

ETIM 9.0

EC001417

### UNSPSC

UNSPSC 21.0

39122300

2701137

<https://www.phoenixcontact.com/us/products/2701137>

## Environmental product compliance

### EU RoHS

Fulfills EU RoHS substance requirements	Yes, No exemptions
---	--------------------

### China RoHS

Environment friendly use period (EFUP)	EFUP-50
	An article-related China RoHS declaration table can be found in the download area for the respective article under "Manufacturer declaration". For all articles with EFUP-E, no China RoHS declaration table issued and required.

### EU REACH SVHC

REACH candidate substance (CAS No.)	No substance above 0.1 wt%
-------------------------------------	----------------------------

Phoenix Contact 2026 © - all rights reserved

<https://www.phoenixcontact.com>

Phoenix Contact USA  
586 Fulling Mill Road  
Middletown, PA 17057, United States  
(+717) 944-1300  
[info@phoenixcon.com](mailto:info@phoenixcon.com)