

FL EPA WMS - Mounting adapter



2701134

<https://www.phoenixcontact.com/us/products/2701134>

Please be informed that the data shown in this PDF document is generated from our online catalog. Please find the complete data in the user documentation. Our general terms of use for downloads are valid.

Set for mounting devices with EPA design to wall or mast, including mast clips for a diameter of 25 - 85 mm, can be moved on two axes for optimum alignment, stainless steel



Commercial data

Item number	2701134
Packing unit	1 pc
Minimum order quantity	1 pc
Sales key	DN23
Product key	DNN2WZ
GTIN	4046356712385
Weight per piece (including packing)	303.7 g
Weight per piece (excluding packing)	303.5 g
Customs tariff number	85177900
Country of origin	DE

FL EPA WMS - Mounting adapter



2701134

<https://www.phoenixcontact.com/us/products/2701134>

Technical data

Notes

Note on application

Note on application

Only for industrial use

Product properties

Product type

Assembly adapter

Material specifications

Color

white aluminium (RAL 9006)

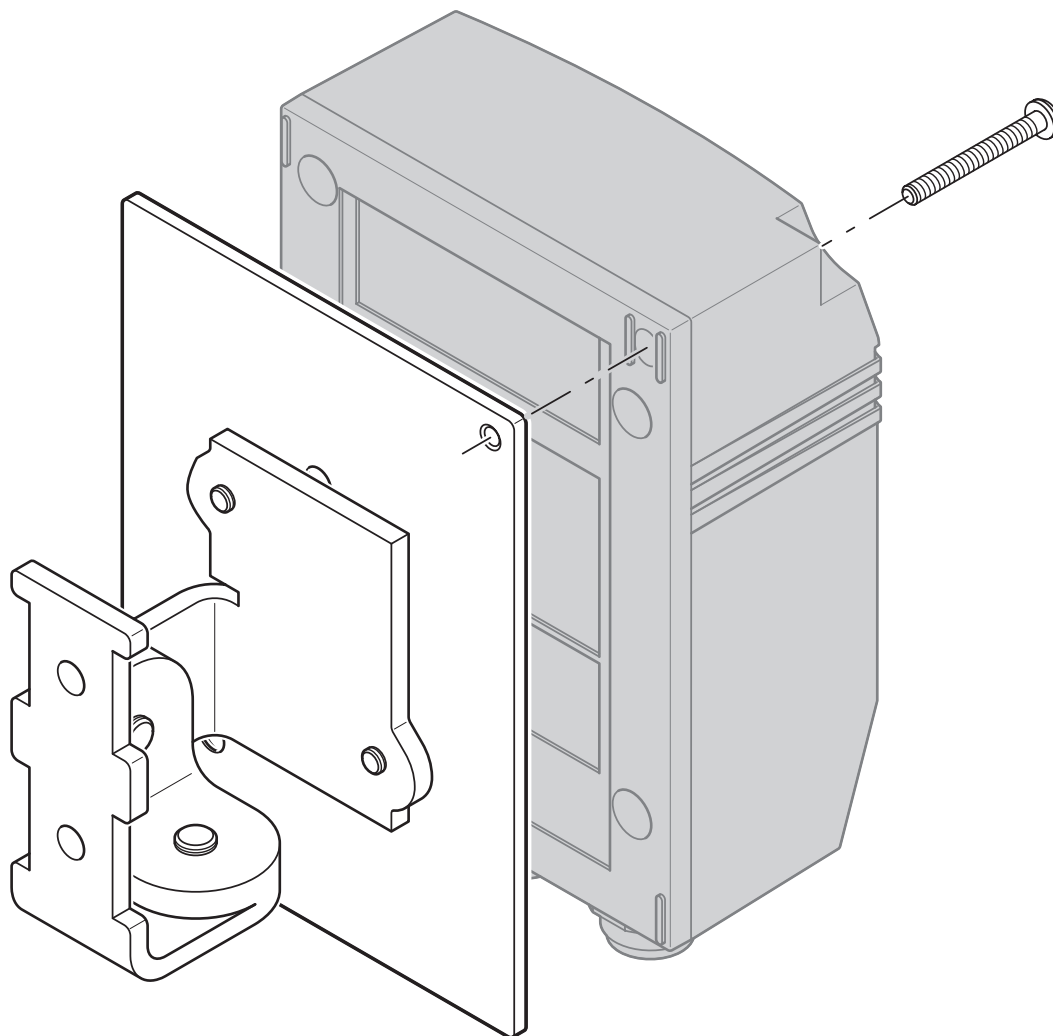
FL EPA WMS - Mounting adapter

2701134

<https://www.phoenixcontact.com/us/products/2701134>

Drawings

Schematic diagram



FL EPA WMS - Mounting adapter



2701134

<https://www.phoenixcontact.com/us/products/2701134>

Classifications

ECLASS

ECLASS-13.0	21049090
ECLASS-15.0	21049090

ETIM

ETIM 10.0	EC000163
-----------	----------

UNSPSC

UNSPSC 21.0	27111500
-------------	----------

FL EPA WMS - Mounting adapter



2701134

<https://www.phoenixcontact.com/us/products/2701134>

Environmental product compliance

EU RoHS

Fulfills EU RoHS substance requirements	Not applicable, No electrical and electronic equipment (EEE), cannot be used in EEE
---	---

EU REACH SVHC

REACH candidate substance (CAS No.)	No substance above 0.1 wt%
-------------------------------------	----------------------------

EF3.1 Climate Change

CO2e kg	2.276 kg CO2e
---------	---------------

Phoenix Contact 2026 © - all rights reserved
<https://www.phoenixcontact.com>

Phoenix Contact USA
586 Fulling Mill Road
Middletown, PA 17057, United States
(+717) 944-1300
info@phoenixcon.com