

# FL EPA RMS - DIN rail adapter



2701133

<https://www.phoenixcontact.com/us/products/2701133>

Please be informed that the data shown in this PDF document is generated from our online catalog. Please find the complete data in the user documentation. Our general terms of use for downloads are valid.

Set for mounting devices with EPA design on a DIN rail



## Commercial data

Item number	2701133
Packing unit	1 pc
Minimum order quantity	1 pc
Sales key	DN23
Product key	DNN2WZ
GTIN	4046356712378
Weight per piece (including packing)	199.3 g
Weight per piece (excluding packing)	199.3 g
Customs tariff number	73269098
Country of origin	DE

# FL EPA RMS - DIN rail adapter

2701133

<https://www.phoenixcontact.com/us/products/2701133>



## Technical data

### Notes

#### Note on application

Note on application

Only for industrial use

### Product properties

Product type

DIN rail adapter

# FL EPA RMS - DIN rail adapter

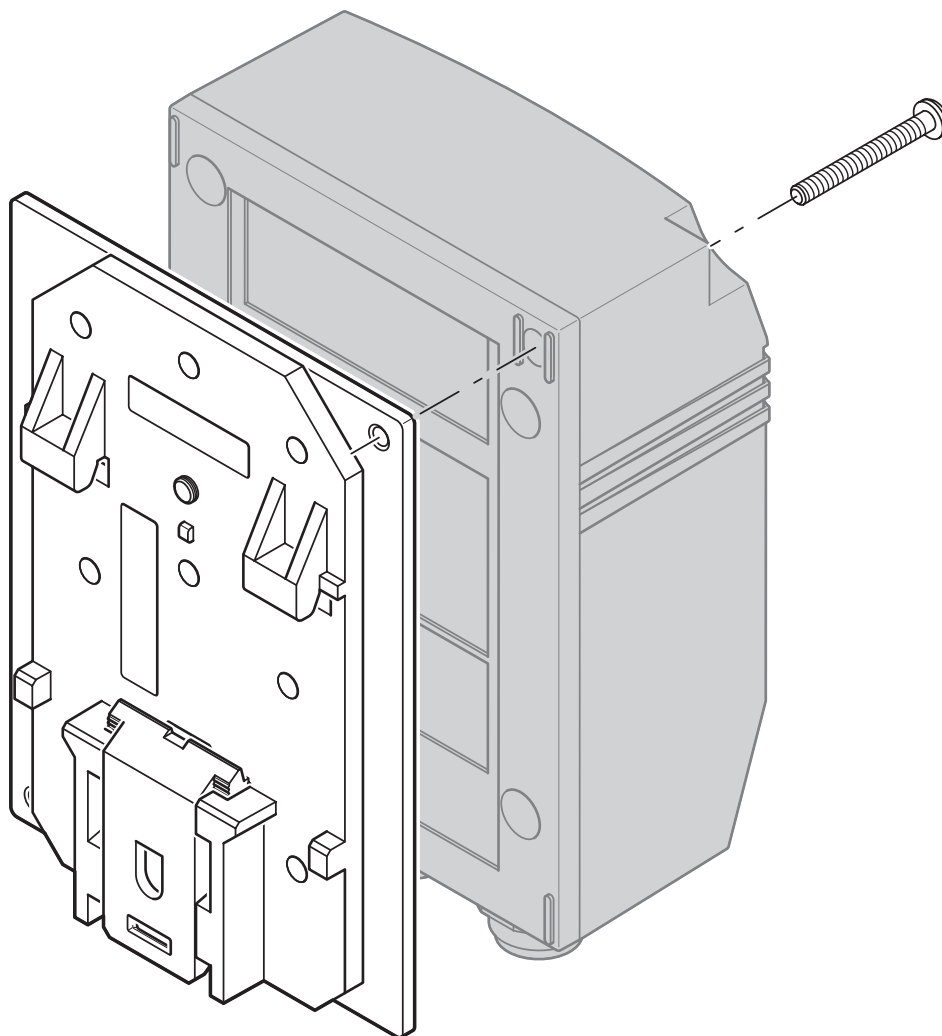
2701133

<https://www.phoenixcontact.com/us/products/2701133>



## Drawings

Schematic diagram



# FL EPA RMS - DIN rail adapter



2701133

<https://www.phoenixcontact.com/us/products/2701133>

## Classifications

### ECLASS

ECLASS-13.0	27141190
ECLASS-15.0	27141190

### ETIM

ETIM 10.0	EC002848
-----------	----------

### UNSPSC

UNSPSC 21.0	39121400
-------------	----------

# FL EPA RMS - DIN rail adapter



2701133

<https://www.phoenixcontact.com/us/products/2701133>

## Environmental product compliance

### EU RoHS

Fulfills EU RoHS substance requirements	Not applicable, No electrical and electronic equipment (EEE), cannot be used in EEE
---	---

### EU REACH SVHC

REACH candidate substance (CAS No.)	No substance above 0.1 wt%
-------------------------------------	----------------------------

### EF3.1 Climate Change

CO2e kg	0.487 kg CO2e
---------	---------------

Phoenix Contact 2026 © - all rights reserved  
<https://www.phoenixcontact.com>

Phoenix Contact USA  
586 Fulling Mill Road  
Middletown, PA 17057, United States  
(+717) 944-1300  
[info@phoenixcon.com](mailto:info@phoenixcon.com)