

# NLC-050-100A-08I-04QRA-05A - Base unit



2701069

<https://www.phoenixcontact.com/us/products/2701069>

Please be informed that the data shown in this PDF document is generated from our online catalog. Please find the complete data in the user documentation. Our general terms of use for downloads are valid.



100 ... 240 V AC Nanoline base unit. Equipped with 8 digital input and 4 relay output channels. Additional I/O channels can be added using a maximum of three I/O extension modules. Optional communication modules provide network or serial connectivity. Optional Operator Panel provides user interface. Programming is via nanoNavigator.

## Your advantages

- Basic unit has integrated digital inputs, relay outputs, and analog inputs, including high-speed counters
- An operating panel can be optionally integrated in the basic unit or installed on a wall in a decentralized manner
- Intuitive programming language with options for flowcharts and ladder diagrams

## Commercial data

Item number	2701069
Packing unit	1 pc
Minimum order quantity	1 pc
Note	Made to order (non-returnable)
Sales key	DR11
Product key	DRACAA
GTIN	4046356325349
Weight per piece (including packing)	332 g
Weight per piece (excluding packing)	321.8 g
Customs tariff number	85371098
Country of origin	IN

## Technical data

### Product properties

Product type	Base unit
Product family	Nanoline

### System properties

#### INTERBUS-Master

Number of supported branch terminals with remote bus branch	3 (I/O modules)
---	-----------------

### Electrical properties

#### Supply

Supply voltage	100 V AC
	240 V AC (Power available to the I/O and Communications modules)
Supply voltage range	100 V AC ... 240 V AC
Power supply connection	Screw connection
Typical current consumption	70 mA (at 230 V AC)

#### Real-time clock

Realtime clock	Optional module
----------------	-----------------

### Input data

#### Digital:

Input name	Digital inputs
Description of the input	EN 61131-2 type 1 NPN/PNP
Number of inputs	8
Connection method	Screw connection
Input voltage range "0" signal	0 V AC ... 25 V AC
Input voltage range "1" signal	80 V AC ... 250 V AC
Nominal input voltage $U_{IN}$	230 V AC
Nominal input current at $U_{IN}$	0.17 mA AC (On)
Typical response time	20 ms

### Output data

#### Digital:

Output name	Relay output
Output description	Relay output
Connection method	Screw connection
Number of outputs	4
Protective circuit	Short-circuit and overload protection
Maximum output current per channel	5 A

# NLC-050-100A-08I-04QRA-05A - Base unit



2701069

<https://www.phoenixcontact.com/us/products/2701069>

Maximum output current per module / terminal block	20 A
Maximum output current per module	5 A
Nominal load, ohmic	600 W (@ 24 ohms)
Maximum operating frequency with ohmic nominal load	0.5 Hz
Signal delay	10 ms (@ 20 °C (excludes bounce))

## Connection data

Connection method	Screw connection
-------------------	------------------

## Interfaces

### Operator Panel

Connection method	RJ45 / COMBICON
-------------------	-----------------

### RS-232

Connection method	Slot 1
-------------------	--------

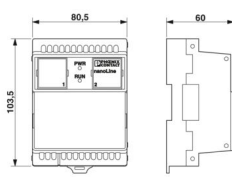
### USB

Connection method	Slot 1
-------------------	--------

### Realtime Clock

Connection method	Slot 2
-------------------	--------

## Dimensions

Dimensional drawing	
Width	80.5 mm
Height	103.5 mm
Depth	60 mm

## Material specifications

Color	black
-------	-------

## Environmental and real-life conditions

### Ambient conditions

Degree of protection	IP20
Ambient temperature (operation)	-25 °C ... 55 °C
Ambient temperature (storage/transport)	-25 °C ... 85 °C
Permissible humidity (operation)	90 %
Permissible humidity (storage/transport)	90 %

## Mounting

# NLC-050-100A-08I-04QRA-05A - Base unit



2701069

<https://www.phoenixcontact.com/us/products/2701069>

Mounting type	DIN rail mounting
---------------	-------------------

# NLC-050-100A-08I-04QRA-05A - Base unit

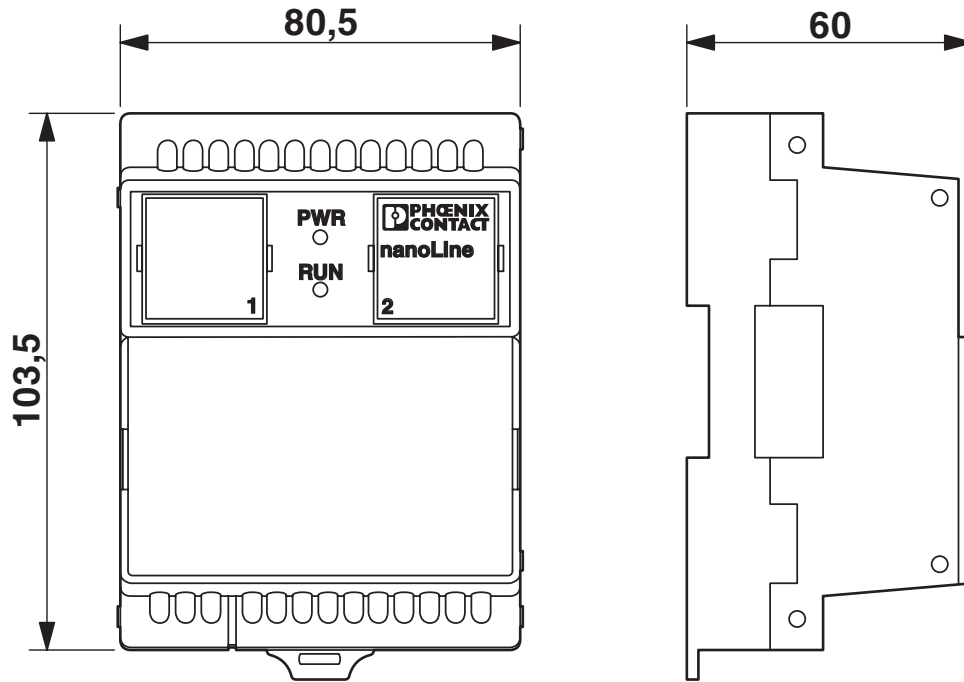


2701069

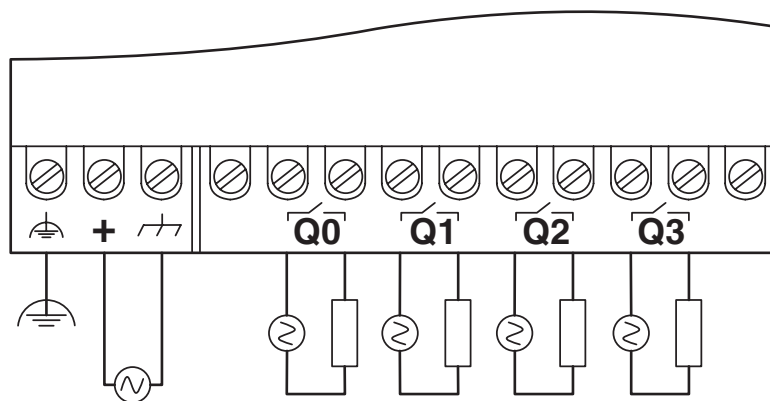
<https://www.phoenixcontact.com/us/products/2701069>

## Drawings

Dimensional drawing



Connection diagram



# NLC-050-100A-08I-04QRA-05A - Base unit



2701069

<https://www.phoenixcontact.com/us/products/2701069>

## Classifications

### UNSPSC

UNSPSC 21.0	39122329
-------------	----------

2701069

<https://www.phoenixcontact.com/us/products/2701069>

## Environmental product compliance

### China RoHS

Environment friendly use period (EFUP)	EFUP-50
	An article-related China RoHS declaration table can be found in the download area for the respective article under "Manufacturer declaration". For all articles with EFUP-E, no China RoHS declaration table issued and required.

### EU REACH SVHC

REACH candidate substance (CAS No.)	No substance above 0.1 wt%
-------------------------------------	----------------------------

Phoenix Contact 2026 © - all rights reserved  
<https://www.phoenixcontact.com>

Phoenix Contact USA  
586 Fulling Mill Road  
Middletown, PA 17057, United States  
(+717) 944-1300  
[info@phoenixcon.com](mailto:info@phoenixcon.com)