

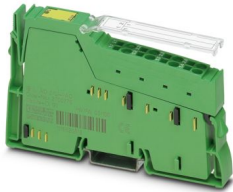
IB IL AO 2/UI-PAC - Analog module



2700775

<https://www.phoenixcontact.com/us/products/2700775>

Please be informed that the data shown in this PDF document is generated from our online catalog. Please find the complete data in the user documentation. Our general terms of use for downloads are valid.



Inline, Analog output terminal, Analog outputs: 2, 0 V ... 10 V, -10 V ... 10 V, 0 mA ... 20 mA, 4 mA ... 20 mA, -20 mA ... 20 mA, connection technology: 2-conductor, transmission speed in the local bus: 500 kbps, degree of protection: IP20, including Inline connector and labeling field

Product description

The terminal is designed for use within an Inline station. It is used to output analog current and voltage signals.

Your advantages

- 2 analog output channels
- Connection of actuators in 2-conductor technology
- Current ranges: 0 mA ... 20 mA, 4 mA ... 20 mA, ± 20 mA
- Voltage ranges: 0 V ... 10 V, ± 10 V
- Diagnostic and status indicators

Commercial data

| | |
|--------------------------------------|---------------|
| Item number | 2700775 |
| Packing unit | 1 pc |
| Minimum order quantity | 1 pc |
| Sales key | DR01 |
| Product key | DRI142 |
| GTIN | 4046356639965 |
| Weight per piece (including packing) | 80.6 g |
| Weight per piece (excluding packing) | 66 g |
| Customs tariff number | 85389091 |
| Country of origin | DE |

IB IL AO 2/UI-PAC - Analog module

2700775

<https://www.phoenixcontact.com/us/products/2700775>

Technical data

Dimensions

| | |
|---------------------|--|
| Dimensional drawing |  |
| Width | 12.2 mm |
| Height | 119.8 mm |
| Depth | 71.5 mm |
| Note on dimensions | Housing dimensions |

Notes

Note on application

| | |
|---------------------|-------------------------|
| Note on application | Only for industrial use |
|---------------------|-------------------------|

Material specifications

| | |
|-----------------|------------------|
| Color (Housing) | green (RAL 6021) |
|-----------------|------------------|

Interfaces

Inline local bus

| | |
|----------------------|--------------------|
| Number of interfaces | 2 |
| Connection method | Inline data jumper |
| Transmission speed | 500 kbps |
| Transmission physics | Copper |

System properties

Programming data (LocalbusSlave)

| | |
|-------------------------|--------|
| Length code (hex) | 04 |
| ID code (dec.) | 91 |
| Length code (dec) | 04 |
| Process data channel | 64 bit |
| Input address area | 8 Byte |
| Output address area | 8 Byte |
| Parameter channel (PCP) | 0 Byte |
| Register length (bus) | 64 bit |

Fieldbus data telegram (PROFIBUS)

| | |
|-----------------------------|---------|
| Required parameter data | 10 Byte |
| Required configuration data | 5 Byte |

IB IL AO 2/UI-PAC - Analog module



2700775

<https://www.phoenixcontact.com/us/products/2700775>

Output data

Analog:

| | |
|--|---|
| Output name | Analog outputs |
| Connection technology | 2-conductor |
| Note regarding the connection technology | shielded |
| Number of outputs | 2 |
| D/A conversion time | typ. 10 µs |
| D/A converter resolution | 12 bit |
| Protective circuit | Short-circuit and overload protection; Electronic Transient protection; Suppressor diode |
| Data formats | IB IL, S7-compatible |
| Representation of output values | 12 bits (11 bits + sign bit) |
| Process data update | bus-synchronous |
| Current output signal | 0 mA ... 20 mA 4 mA ... 20 mA -20 mA ... 20 mA |
| Load/output load current output | ≤ 450 Ω |
| Voltage output signal | 0 V ... 10 V -10 V ... 10 V |
| Load/output load voltage output | > 1 kΩ |
| Permissible cable length | max. 250 m (The specifications refer to nominal operation after complying with installation instructions. The specifications refer to the following reference cable type: Shielded power station cable: LiYCY; 2 x 2 x 0,5 mm ² ; VDE0812) |

Product properties

| | |
|----------------------|---|
| Product type | I/O component |
| Product family | Inline |
| Type | modular |
| Scope of supply | including Inline connector and labeling field |
| Diagnostics messages | Failure of the internal I/O supply I/O error message sent to the bus coupler I/O supply failure Message in the diagnostic code (in the IB IL format) Short circuit/overload of the outputs Message in the diagnostic code (in the IB IL format) Configuration invalid Message in the diagnostic code (in the IB IL format) |

Insulation characteristics

| | |
|----------------------|------------------------------|
| Overvoltage category | II (IEC 60664-1, EN 60664-1) |
| Pollution degree | 2 (IEC 60664-1, EN 60664-1) |

Electrical properties

| | |
|---|-------|
| Maximum power dissipation for nominal condition | 2.3 W |
|---|-------|

IB IL AO 2/UI-PAC - Analog module



2700775

<https://www.phoenixcontact.com/us/products/2700775>

Potentials: Communications power (U_L)

| | |
|----------------|-------------------------------|
| Supply voltage | 7.5 V DC (via voltage jumper) |
| Current draw | max. 65 mA |
| | typ. 55 mA |

Potentials: Supply of analog modules (U_{ANA})

| | |
|----------------------|---|
| Supply voltage | 24 V DC (via voltage jumper) |
| Supply voltage range | 19.2 V DC ... 30 V DC (including all tolerances, including ripple) |
| Current draw | max. 75 mA (Nominal current load ($I_{OUT1/2} = 20 \text{ mA}$, $R_L = 0 \Omega$)) |
| | max. 30 mA (No-load) |
| | typ. 38 mA (Nominal voltage load ($U_{OUT1/2} = 10 \text{ V}$, $R_L = 1 \text{ k}\Omega$)) |
| | max. 45 mA (Nominal voltage load ($U_{OUT1/2} = 10 \text{ V}$, $R_L = 1 \text{ k}\Omega$)) |
| | typ. 65 mA (Nominal current load ($I_{OUT1/2} = 20 \text{ mA}$, $R_L = 0 \Omega$)) |
| | typ. 24 mA (No-load) |

Electrical isolation/isolation of the voltage ranges

| | |
|---|------------------------|
| Test voltage: 7.5 V supply (bus logics)/24 V analog supply (analog I/O) | 500 V AC, 50 Hz, 1 min |
| Test voltage: 7.5 V supply (bus logic)/functional ground | 500 V AC, 50 Hz, 1 min |
| Test voltage: 24 V analog supply (analog I/O)/functional ground | 500 V AC, 50 Hz, 1 min |

Connection data

Connection technology

| | |
|-----------------|------------------|
| Connection name | Inline connector |
|-----------------|------------------|

Inline connector

| | |
|-----------------------------------|--|
| Connection method | Spring-cage connection |
| Conductor cross-section, rigid | 0.08 mm ² ... 1.5 mm ² |
| Conductor cross-section, flexible | 0.08 mm ² ... 1.5 mm ² |
| Conductor cross-section AWG | 28 ... 16 |
| Stripping length | 8 mm |

Environmental and real-life conditions

Ambient conditions

| | |
|--|---|
| Ambient temperature (operation) | -25 °C ... 55 °C |
| Degree of protection | IP20 |
| Air pressure (operation) | 70 kPa ... 106 kPa (up to 3000 m above sea level) |
| Air pressure (storage/transport) | 70 kPa ... 106 kPa (up to 3000 m above sea level) |
| Ambient temperature (storage/transport) | -25 °C ... 85 °C |
| Permissible humidity (operation) | 10 % ... 95 % (non-condensing) |
| Permissible humidity (storage/transport) | 10 % ... 95 % (non-condensing) |

Mechanical test

| | |
|--|----|
| Vibration resistance in accordance with EN 60068-2-6/IEC 60068-2-6 | 5g |
|--|----|

IB IL AO 2/UI-PAC - Analog module



2700775

<https://www.phoenixcontact.com/us/products/2700775>

| | |
|---|-----|
| Shock in accordance with EN 60068-2-27/IEC 60068-2-27 | 25g |
|---|-----|

Standards and regulations

| | |
|------------------|---------------------------------------|
| Protection class | III (IEC 61140, EN 61140, VDE 0140-1) |
|------------------|---------------------------------------|

Mounting

| | |
|---------------|-------------------|
| Mounting type | DIN rail mounting |
|---------------|-------------------|

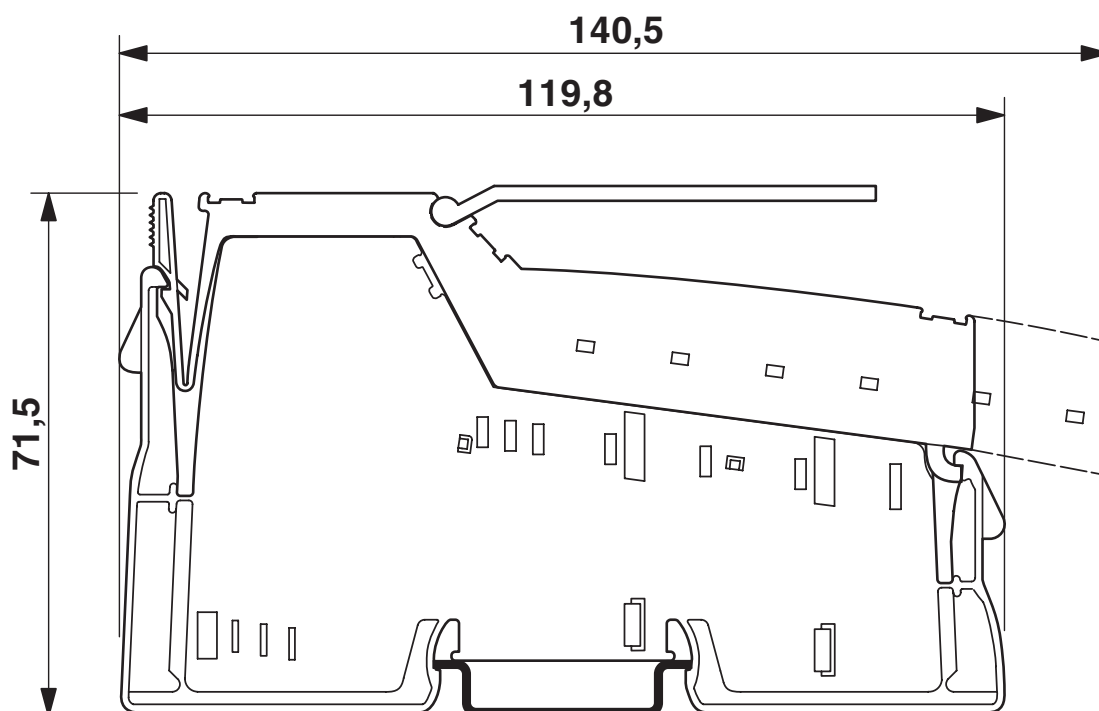
IB IL AO 2/UI-PAC - Analog module

2700775

<https://www.phoenixcontact.com/us/products/2700775>

Drawings

Dimensional drawing



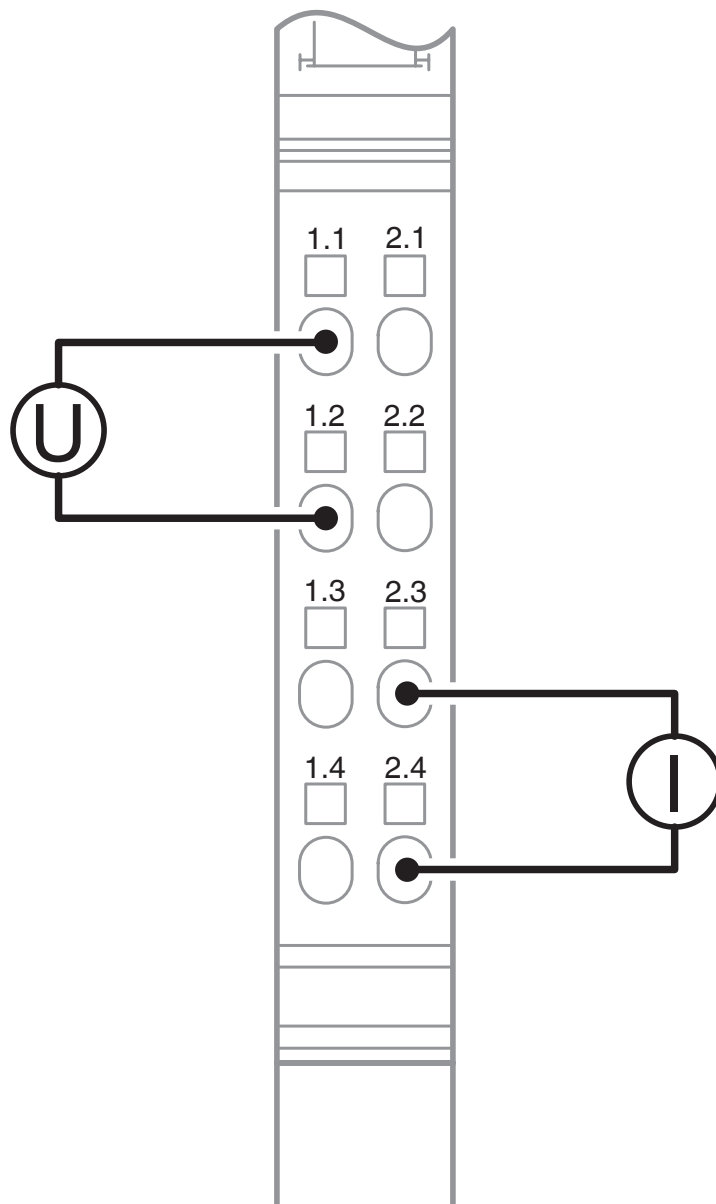
IB IL AO 2/UI-PAC - Analog module

2700775

<https://www.phoenixcontact.com/us/products/2700775>



Connection diagram



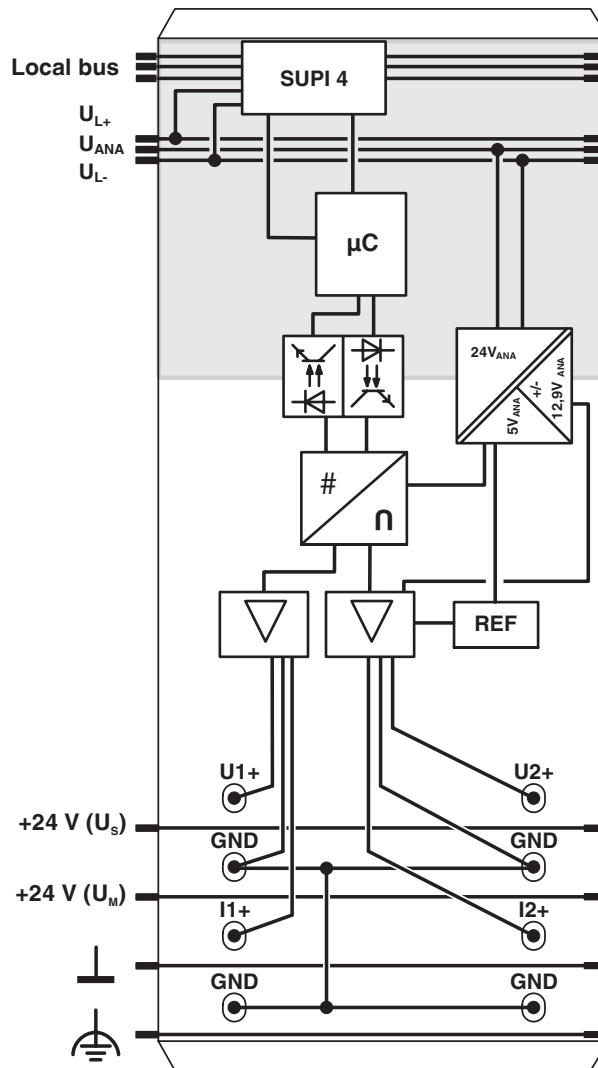
IB IL AO 2/UI-PAC - Analog module

2700775

<https://www.phoenixcontact.com/us/products/2700775>



Block diagram



IB IL AO 2/UI-PAC - Analog module



2700775

<https://www.phoenixcontact.com/us/products/2700775>

Approvals

To download certificates, visit the product detail page: <https://www.phoenixcontact.com/us/products/2700775>



cULus Listed

Approval ID: E140324

IB IL AO 2/UI-PAC - Analog module



2700775

<https://www.phoenixcontact.com/us/products/2700775>

Classifications

ECLASS

| | |
|-------------|----------|
| ECLASS-13.0 | 27242601 |
| ECLASS-15.0 | 27242601 |

ETIM

| | |
|-----------|----------|
| ETIM 10.0 | EC001596 |
|-----------|----------|

UNSPSC

| | |
|-------------|----------|
| UNSPSC 21.0 | 32151600 |
|-------------|----------|

IB IL AO 2/UI-PAC - Analog module



2700775

<https://www.phoenixcontact.com/us/products/2700775>

Environmental product compliance

EU RoHS

| | |
|---|--------------|
| Fulfills EU RoHS substance requirements | Yes |
| Exemption | 7(a), 7(c)-I |

China RoHS

| | |
|--|---|
| Environment friendly use period (EFUP) | EFUP-50 |
| | An article-related China RoHS declaration table can be found in the download area for the respective article under "Manufacturer declaration". For all articles with EFUP-E, no China RoHS declaration table issued and required. |

EU REACH SVHC

| | |
|-------------------------------------|---|
| REACH candidate substance (CAS No.) | Lead(CAS: 7439-92-1) |
| | 6,6'-di-tert-butyl-2,2'-methylenedi-p-cresol(CAS: 119-47-1) |
| SCIP | 122f3673-ca89-49bf-9d79-213b5253ce53 |

EF3.1 Climate Change

| | |
|---------|--------------|
| CO2e kg | 8.45 kg CO2e |
|---------|--------------|

Phoenix Contact 2026 © - all rights reserved
<https://www.phoenixcontact.com>

Phoenix Contact USA
586 Fulling Mill Road
Middletown, PA 17057, United States
(+717) 944-1300
info@phoenixcon.com