

# PSR-PC32-2NO-1NC-24-230UC-SP - Coupling relay



2700582

<https://www.phoenixcontact.com/us/products/2700582>

Please be informed that the data shown in this PDF document is generated from our online catalog. Please find the complete data in the user documentation. Our general terms of use for downloads are valid.



The figure shows a version with a screw connection

Coupling relay for SIL 3 high and low-demand applications, couples digital signals to the I/O, 24 V ... 230 V wide-range input, 2 enabling current paths (1x up to 60 V, 1x up to 250 V) 1 confirmation current path, safe state off applications, pluggable Push-in terminal block

## Your advantages

- Up to SIL 3 in accordance with IEC 61508
- Force-guided contacts in accordance with EN 50205
- Easy proof test according to IEC 61508
- Slim design
- Wide-range input
- Corrosion protection through protective coating on the PCB

## Commercial data

Item number	2700582
Packing unit	1 pc
Minimum order quantity	1 pc
Sales key	DN01
Product key	DNA182
GTIN	4046356916370
Weight per piece (including packing)	177 g
Weight per piece (excluding packing)	226.5 g
Customs tariff number	85364900
Country of origin	DE

## Technical data

### Notes

#### Note on application

Note on application	Only for industrial use
---------------------	-------------------------

### Product properties

Product type	Coupling relay
Product family	PSRmini
Application	Safe switch off
	High demand
	Low demand
	Ex
Control	1 and 2 channel
Relay type	Electromechanical relay with force-guided contacts in accordance with IEC/EN 61810-3

#### Insulation characteristics

Overvoltage category	III
Degree of pollution	2

#### Times

Typical response time	< 100 ms (with $U_s$ when controlled via A1)
Typical release time	< 200 ms (with $U_s$ when controlled via A1)
Recovery time	< 500 ms

### Electrical properties

Maximum power dissipation for nominal condition	5.7 W (at $U_s = 42$ V AC, $I_L^2 = 72$ A <sup>2</sup> )
Nominal operating mode	100% operating factor
Rated insulation voltage	250 V AC
Rated surge voltage/insulation	Basic insulation 4 kV between all current paths and housing
	Safe isolation, reinforced insulation 2.5 kV between (93/94) and (31/32, 24V/GND)
	Safe isolation, reinforced insulation 6 kV: between (A1/A2) and (13/14) and (31/32, 24V/GND) between (A1/A2) and (93/94) between (13/14) and (93/94)

#### Supply

Designation	A1/A2
Rated control circuit supply voltage $U_s$	24 V AC/DC ... 230 V AC/DC -15 % ... +10 %
Rated control supply current $I_s$	75 mA (24 V DC)
	34 mA (48 V DC)
	97 mA (42 V AC)
	28 mA (120 V AC)
	16 mA (230 V AC)

# PSR-PC32-2NO-1NC-24-230UC-SP - Coupling relay



2700582

<https://www.phoenixcontact.com/us/products/2700582>

Power consumption at $U_S$	1.8 W (with DC)
	2.1 W (with AC)
Apparent power	typ. 4.1 VA
Inrush current	typ. 16 A ( $\Delta t < 100 \mu s$ at $U_S$ )
	< 5 mA (at terminal blocks 24V/GND at $U_D$ )
Filter time	10 ms (24 V DC, A1 in the event of voltage dips at $U_S$ )
	max. 1.5 ms (at A1-A2; test pulse width; at 24 V DC)
	7.5 ms (at A1-A2; test pulse rate; at 24 V DC)
	Test pulse rate = 5 x Test pulse width
Protective circuit	Surge protection; Varistor 275 V

## Supply

Designation	24V/GND
Diagnostic supply voltage $U_D$	24 V DC -15 % / +10 %
Input current at $U_D$	< 5 mA (at terminal blocks 24V/GND at $U_D$ )
Protective circuit	Surge protection; 33 V suppressor diode
	Reverse polarity protection

## Output data

### Relay: Enabling current paths (13/14, 93/94)

Output description	2 NO contacts each in series, without delay, floating
Number of outputs	2 (safety-related)
Contact switching type	2 enabling current paths
Contact material	AgSnO <sub>2</sub>
Switching voltage	min. 12 V AC/DC
	max. 250 V AC/DC (13/14)
	max. 60 V AC/DC (93/94)
Switching power	min. 60 mW
Inrush current	min. 3 mA
	max. 6 A
Switching capacity (360/h cycles)	4 A (24 V (DC13))
	5 A (230 V (AC 15))
Limiting continuous current	6 A (observe derating)
Sq. Total current	72 A <sup>2</sup> (observe derating)
Switching frequency	max. 0.1 Hz
Mechanical service life	10x 10 <sup>6</sup> cycles
Output fuse	6 A gL/gG
	4 A gL/gG (for low-demand applications)

### Relay: Confirmation current path (31/32)

Output description	2 N/C contacts in series, without delay, floating/non-floating, depending on the application
Number of outputs	1 (safety-related)
Contact switching type	1 confirmation current path
Contact material	AgCuNi, + Au

# PSR-PC32-2NO-1NC-24-230UC-SP - Coupling relay



2700582

<https://www.phoenixcontact.com/us/products/2700582>

Switching voltage	min. 3.3 V AC/DC
	max. 26.4 V DC
Switching power	min. 3.3 mW
Inrush current	min. 1 mA
	max. 100 mA
Limiting continuous current	100 mA
Output fuse	150 mA fast blow

## Connection data

### Connection technology

pluggable	yes
-----------	-----

### Conductor connection

Connection method	Push-in connection
Conductor cross-section rigid	0.2 mm <sup>2</sup> ... 1.5 mm <sup>2</sup>
Conductor cross-section flexible	0.2 mm <sup>2</sup> ... 1.5 mm <sup>2</sup>
Conductor cross-section, flexible, with ferrule, with plastic sleeve	0.25 mm <sup>2</sup> ... 1.5 mm <sup>2</sup> (only together with CRIMPFOX 6)
Conductor cross-section, flexible, with ferrule, without plastic sleeve	0.25 mm <sup>2</sup> ... 1.5 mm <sup>2</sup> (only together with CRIMPFOX 6)
Conductor cross-section AWG	24 ... 16
Stripping length	8 mm

## Signaling

Status display	1 x LED (green), 1 x LED (yellow)
Operating voltage display	1 x LED (yellow)

## Dimensions

Width	17.5 mm
Height	117.4 mm
Depth	114.5 mm

## Material specifications

Color (Housing)	yellow (RAL 1018)
Housing material	PA

## Characteristics

### Safety data

Stop category (EN 60204-1)	0
----------------------------	---

### Safety data: EN 50156-2

Safety Integrity Level (SIL)	3 (Reference IEC 61508)
------------------------------	-------------------------

### Safety data: IEC 61508 - High demand

Safety Integrity Level (SIL)	3 (< 15% of the overall SIL)
------------------------------	------------------------------

### Safety data: IEC 61508 - Low demand

# PSR-PC32-2NO-1NC-24-230UC-SP - Coupling relay



2700582

<https://www.phoenixcontact.com/us/products/2700582>

Safety Integrity Level (SIL)	3 (< 15% of the overall SIL)
------------------------------	------------------------------

## Environmental and real-life conditions

### Ambient conditions

Degree of protection	IP20
Min. degree of protection of inst. location	IP54
Ambient temperature (operation)	-40 °C ... 70 °C (observe derating)
Ambient temperature (storage/transport)	-40 °C ... 85 °C
Maximum altitude	≤ 2000 m (Above sea level)
Max. permissible humidity (storage/transport)	75 % (on average, 85% infrequently, non-condensing)
Max. permissible relative humidity (operation)	75 % (on average, 85% infrequently, non-condensing)
Shock	15g
Vibration (operation)	10 Hz ... 150 Hz, 2g

## Approvals

### ATEX

Identification	Ⓜ II 3G Ex ec nC IIC T4 Gc
Certificate	UL 22 ATEX 2912X

### IECEX

Identification	Ex ec nC IIC T4 Gc
Certificate	IECEX UL 22.0037X

### UL, USA/Canada

Identification	cULus
Certificate	E140324

### UL Ex, USA / Canada

Identification	Class I, Zone 2, AEx ec nC IIC T4 / Ex ec nC IIC Gc T4 X Class I, Div. 2, Groups A, B, C, D, T4
Certificate	E360692

### CE

Identification	CE-compliant
----------------	--------------

### Environmental simulation test

Identification	G3
Certificate	ISA-S71.04

### CCC / China-Ex

Identification	Ex ec nC IIC T4 Gc
Certificate	2022122304115695

## Mounting

Mounting type	DIN rail mounting
Assembly note	See derating curve

# PSR-PC32-2NO-1NC-24-230UC-SP - Coupling relay



2700582

<https://www.phoenixcontact.com/us/products/2700582>

Mounting position

vertical or horizontal

# PSR-PC32-2NO-1NC-24-230UC-SP - Coupling relay

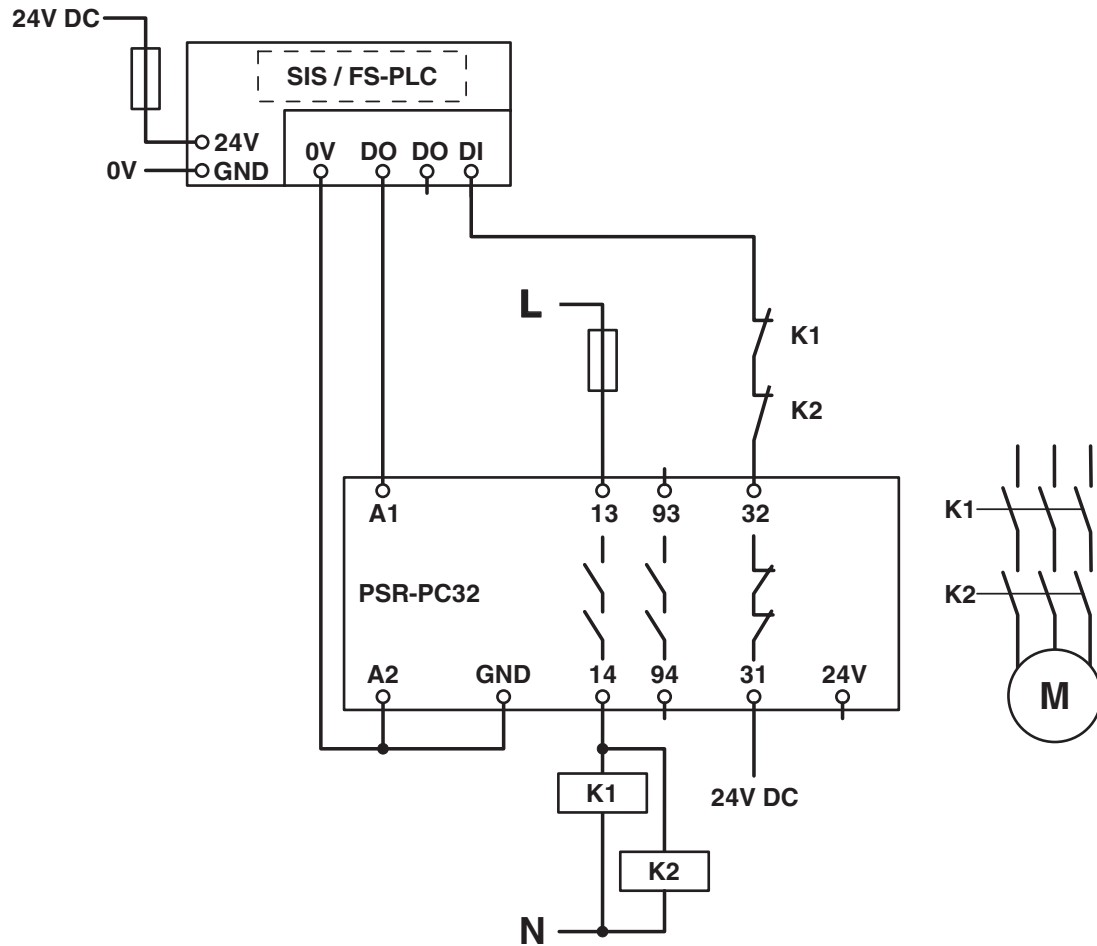


2700582

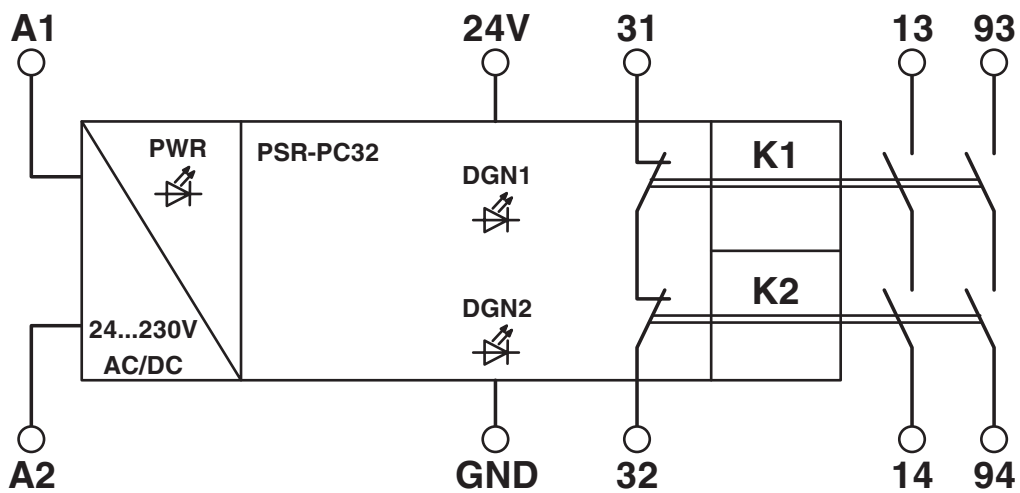
<https://www.phoenixcontact.com/us/products/2700582>

## Drawings

Circuit diagram



Block diagram



2700582

<https://www.phoenixcontact.com/us/products/2700582>

## Approvals

To download certificates, visit the product detail page: <https://www.phoenixcontact.com/us/products/2700582>



### Functional Safety

Approval ID: 44-205-15124302



### cULus Listed

Approval ID: E140324



### IECEX

Approval ID: IECEX ULD 22.0037X



### ATEX

Approval ID: UL 22 ATEX 2912X



### cULus Listed

Approval ID: E360692



### CCC

Approval ID: 2022122304115695

2700582

<https://www.phoenixcontact.com/us/products/2700582>

## Classifications

### ECLASS

ECLASS-13.0	27371819
ECLASS-15.0	27371819

### ETIM

ETIM 10.0	EC001449
-----------	----------

### UNSPSC

UNSPSC 21.0	39122200
-------------	----------

2700582

<https://www.phoenixcontact.com/us/products/2700582>

## Environmental product compliance

### EU RoHS

Fulfills EU RoHS substance requirements	Yes
Exemption	7(a), 7(c)-I

### China RoHS

Environment friendly use period (EFUP)	EFUP-50
	An article-related China RoHS declaration table can be found in the download area for the respective article under "Manufacturer declaration". For all articles with EFUP-E, no China RoHS declaration table issued and required.

### EU REACH SVHC

REACH candidate substance (CAS No.)	Lead(CAS: 7439-92-1)
SCIP	bd9a471c-8f09-4942-9e6f-a14a5c8fb63d

### EF3.1 Climate Change

CO2e kg	21.97 kg CO2e
---------	---------------

Phoenix Contact 2026 © - all rights reserved  
<https://www.phoenixcontact.com>

Phoenix Contact USA  
586 Fulling Mill Road  
Middletown, PA 17057, United States  
(+717) 944-1300  
[info@phoenixcon.com](mailto:info@phoenixcon.com)