

PSR-MC34-3NO-1DO-24DC-SP - Safety relays



2700548

<https://www.phoenixcontact.com/us/products/2700548>

Please be informed that the data shown in this PDF document is generated from our online catalog. Please find the complete data in the user documentation. Our general terms of use for downloads are valid.



Safety relay for emergency stop and safety doors up to SIL 3, Cat. 4, PL e, 1 or 2-channel operation, automatic or manual, monitored start, cross-circuit detection, 3 enabling current paths, $U_S = 24 \text{ V DC}$, pluggable Push-in terminal block

The figure shows a version with a screw connection

Your advantages

- Up to Cat. 4/PL e in accordance with EN ISO 13849-1, SIL 3 in accordance with EN IEC 62061
- Low housing width of just 12.5 mm
- 2 channel control
- 3 enabling current paths, 1 digital signal output
- Manually monitored and automatic activation in a single device
- Cross-circuit detection

Commercial data

Item number	2700548
Packing unit	1 pc
Minimum order quantity	1 pc
Sales key	DN01
Product key	DNA181
GTIN	4046356912686
Weight per piece (including packing)	165.6 g
Weight per piece (excluding packing)	138.9 g
Customs tariff number	85371098
Country of origin	DE

Technical data

Notes

Note on application

Note on application	Only for industrial use
---------------------	-------------------------

Product properties

Product type	Safety relays
Product family	PSRmini
Application	Emergency stop
	Safety door
	Magnetic switch
	Transponder
Control	2-channel
Relay type	Electromechanical relay with force-guided contacts in accordance with IEC/EN 61810-3

Insulation characteristics

Overvoltage category	III
Degree of pollution	2

Times

Typical response time	< 175 ms (automatic start)
	< 175 ms (manual, monitored start)
Typ. starting time with U_S	< 250 ms (when controlled via A1)
Typical release time	< 20 ms (on demand via A1)
	< 20 ms (on demand via the sensor circuit)
Restart time	< 1 s (Boot time, after switching on the supply voltage)
Recovery time	< 500 ms (following demand of the safety function)
Start pulse length	500 ms (manual start)

Electrical properties

Maximum power dissipation for nominal condition	6.1 W ($U_S = 26.4 \text{ V}$, $I_L^2 = 72 \text{ A}^2$, $P_{\text{Total max}} = 2.5 \text{ W} + 3.6 \text{ W}$)
Nominal operating mode	100% operating factor
Rated insulation voltage	250 V AC
Rated surge voltage/insulation	See data sheet, section "Insulation coordination".

Supply

Designation	A1/A2
Rated control circuit supply voltage U_S	20.4 V DC ... 26.4 V DC
Rated control circuit supply voltage U_S	24 V DC -15 % / +10 %
Rated control supply current I_S	typ. 84 mA (at U_S)
Power consumption at U_S	typ. 2 W
Inrush current	typ. 5 A ($\Delta t = 200 \mu\text{s}$ at U_S)
Filter time	1 ms (in the event of voltage dips at U_S)

PSR-MC34-3NO-1DO-24DC-SP - Safety relays



2700548

<https://www.phoenixcontact.com/us/products/2700548>

Protective circuit	Serial protection against polarity reversal; Suppressor diode
--------------------	---

Input data

Digital: Sensor circuit (S12, S22)

Description of the input	safety-related sensor inputs
	NPN (S12), NPN/PNP (S22)
Number of inputs	2
Input voltage range "0" signal	< 5 V (S12)
	Input S22 can interpret low-resistance outputs of a PLC as a continuous HIGH signal.
Input voltage range "1" signal	20.4 V ... 26.4 V
Input current range "0" signal	< 2 mA (S12)
	0 mA ... 2 mA (S22)
Inrush current	< 20 mA (typ. with U_S at S12)
	< 5 mA (typ. with U_S at S22/24 V)
	> -15 mA (typ. with U_S at S22/0 V)
Filter time	max. 1.5 ms (at S12, S22; test pulse width)
	min. 7.5 ms (at S12, S22; test pulse rate)
	Test pulse rate = 5 x Test pulse width
Concurrency	∞
Max. permissible overall conductor resistance	150 Ω
Protective circuit	Suppressor diode
Current consumption	< 5 mA (typ. with U_S at S12)
	< 5 mA (typ. with U_S at S22/24 V)
	> -5 mA (typ. with U_S at S22/0 V)

Digital: Start circuit (S34)

Description of the input	non-safety-related
	NPN/PNP
Number of inputs	1
Input voltage range "1" signal	20.4 V DC ... 26.4 V DC
Inrush current	max. 200 mA (typ. with U_S)
Max. permissible overall conductor resistance	150 Ω
Protective circuit	Suppressor diode
Current consumption	< 10 mA (at S34/24 V)
	> -5 mA (at S34/0 V)

Output data

Relay: Enabling current paths (13/14, 23/24/34)

Output description	safety-related N/O contacts
Number of outputs	3 (undelayed)
Contact switching type	3 enabling current paths
Contact material	AgSnO ₂
Switching voltage	min. 12 V

PSR-MC34-3NO-1DO-24DC-SP - Safety relays



2700548

<https://www.phoenixcontact.com/us/products/2700548>

	max. 250 V AC/DC (Observe the load curve)
Switching power	min. 60 mW
Inrush current	min. 3 mA max. 6 A
Switching capacity	5 A (AC15) 4 A (DC13)
Limiting continuous current	6 A (For 13/14) 6 A (For 23/24/34; since the 23/24/34 contact path only has one input path, only a total current of 6 A is permitted here)
Sq. Total current	72 A ² (observe derating)
Switching frequency	0.1 Hz
Mechanical service life	10x 10 ⁶ cycles
Output fuse	6 A gL/gG 4 A gL/gG (for low-demand applications)

Signal: M1

Output description	non-safety-related
Number of outputs	1 (digital, PNP)
Voltage	22 V DC (U _s - 2 V)
Current	max. 100 mA
Maximum inrush current	500 mA (Δt = 1 ms at U _s)
Protective circuit	Suppressor diode
Short-circuit protection	no

Connection data

Connection technology

pluggable	yes
-----------	-----

Conductor connection

Connection method	Push-in connection
Conductor cross-section rigid	0.2 mm ² ... 1.5 mm ²
Conductor cross-section flexible	0.2 mm ² ... 1.5 mm ²
Conductor cross-section, flexible, with ferrule, with plastic sleeve	0.25 mm ² ... 1.5 mm ² (only together with CRIMPFOX 6)
Conductor cross-section, flexible, with ferrule, without plastic sleeve	0.25 mm ² ... 1.5 mm ² (only together with CRIMPFOX 6)
Conductor cross-section AWG	24 ... 16
Stripping length	8 mm

Signaling

Status display	3 x LED (green)
Operating voltage display	1 x LED (green)

Dimensions

Width	12.5 mm
Height	116.6 mm

PSR-MC34-3NO-1DO-24DC-SP - Safety relays



2700548

<https://www.phoenixcontact.com/us/products/2700548>

Depth	114.5 mm
-------	----------

Material specifications

Color (Housing)	yellow (RAL 1018)
Housing material	PA

Characteristics

Safety data

Stop category (EN 60204-1)	0
----------------------------	---

Safety data: EN ISO 13849

Performance level (PL)	e (4 A DC13; 5 A AC15; 8760 switching cycles/year)
------------------------	--

Safety data: IEC 61508 - High demand

Safety Integrity Level (SIL)	3
------------------------------	---

Safety data: IEC 61508 - Low demand

Safety Integrity Level (SIL)	3
------------------------------	---

Safety data: EN IEC 62061

Safety Integrity Level (SIL)	3
------------------------------	---

Environmental and real-life conditions

Ambient conditions

Degree of protection	IP20
Min. degree of protection of inst. location	IP54
Ambient temperature (operation)	-40 °C ... 55 °C (observe derating)
Ambient temperature (storage/transport)	-40 °C ... 85 °C
Maximum altitude	≤ 2000 m (Above sea level)
Max. permissible humidity (storage/transport)	75 % (on average, 85% infrequently, non-condensing)
Max. permissible relative humidity (operation)	75 % (on average, 85% infrequently, non-condensing)
Shock	15g
Vibration (operation)	10 Hz ... 150 Hz, amplitude 0.15 mm, 2g

Approvals

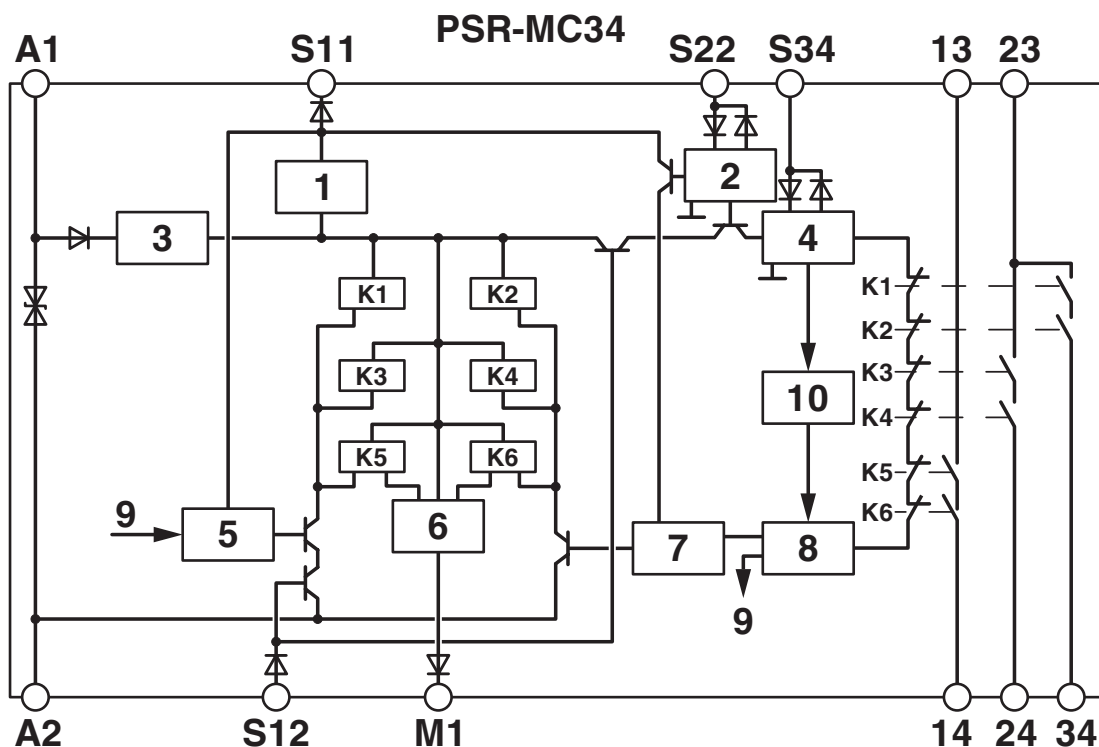
CE

Identification	CE-compliant
----------------	--------------

Mounting

Mounting type	DIN rail mounting
Assembly note	See derating curve
Mounting position	vertical or horizontal

Block diagram




Key:

- 1 = Current limitation
- 2 = Input circuit
- 3 = Voltage limitation
- 4 = Start circuit
- 5 = Control circuit channel 1
- 6 = Control circuit signal output
- 7 = Control circuit channel 2
- 8 = Start channel 1 and 2
- 9 = Channel 1
- 10 = Diagnostics
- K1, K2 ... K6 = Force-guided elementary relays

2700548

<https://www.phoenixcontact.com/us/products/2700548>

Approvals

 To download certificates, visit the product detail page: <https://www.phoenixcontact.com/us/products/2700548>



Functional Safety

Approval ID: 44 205 13755201



Functional Safety

Approval ID: 44 780 13755201



cULus Listed

Approval ID: E140324

PSR-MC34-3NO-1DO-24DC-SP - Safety relays



2700548

<https://www.phoenixcontact.com/us/products/2700548>

Classifications

ECLASS

ECLASS-13.0	27371819
ECLASS-15.0	27371819
ECLASS-15.0 ASSET	27250101

ETIM

ETIM 10.0	EC001449
-----------	----------

UNSPSC

UNSPSC 21.0	39122200
-------------	----------

PSR-MC34-3NO-1DO-24DC-SP - Safety relays



2700548

<https://www.phoenixcontact.com/us/products/2700548>

Environmental product compliance

EU RoHS

Fulfills EU RoHS substance requirements	Yes
Exemption	7(a), 7(c)-I

China RoHS

Environment friendly use period (EFUP)	EFUP-50
	An article-related China RoHS declaration table can be found in the download area for the respective article under "Manufacturer declaration". For all articles with EFUP-E, no China RoHS declaration table issued and required.

EU REACH SVHC

REACH candidate substance (CAS No.)	Lead(CAS: 7439-92-1)
SCIP	6a213711-f5f2-4a81-b21a-a7bae11f7b52

Phoenix Contact 2026 © - all rights reserved

<https://www.phoenixcontact.com>

Phoenix Contact USA
586 Fulling Mill Road
Middletown, PA 17057, United States
(+717) 944-1300
info@phoenixcon.com