

NLC-055-024D-08I-04QRD-05A - Base unit



2700464

<https://www.phoenixcontact.com/us/products/2700464>

Please be informed that the data shown in this PDF document is generated from our online catalog. Please find the complete data in the user documentation. Our general terms of use for downloads are valid.



24 V DC Nanoline base unit. Equipped with 8 digital inputs, 2 analog (0-10 V) inputs and 4 relay output channels. Additional I/O channels can be added using a maximum of three I/O extension modules. Optional communication modules provide network or serial connectivity. Optional Operator Panel provides user interface. Programming is via nanoNavigator.

Your advantages

- An operating panel can be optionally integrated in the basic unit or installed on a wall in a decentralized manner
- Intuitive programming language with options for flowcharts and ladder diagrams
- Basic unit has integrated digital inputs, relay outputs, and analog inputs, including high-speed counters

Commercial data

Item number	2700464
Packing unit	1 pc
Minimum order quantity	1 pc
Sales key	DR11
Product key	DRACAA
GTIN	4046356576611
Weight per piece (including packing)	336.5 g
Weight per piece (excluding packing)	336.5 g
Customs tariff number	85371098
Country of origin	IN

2700464

<https://www.phoenixcontact.com/us/products/2700464>

Technical data

Product properties

Product type	Base unit
Product family	Nanoline

Electrical properties

Supply

Supply voltage	24 V DC (Power available to the I/O and Communications modules)
Supply voltage range	19.2 V DC ... 30 V DC
Power supply connection	Screw connection
Max. current consumption	250 mA
Typical current consumption	150 mA

Real-time clock

Realtime clock	Yes (battery-backed)
Description realtime clock	±2 s/day @ 25°C ±4 s/day @ -20 °C ... +60 °C Lithium BR2330

Input data

Analog:

Description of the input	Analog input
Number of inputs	2
Connection technology	Screw connection
Voltage input signal	0 V DC ... 10 V DC
Input resistance of voltage input	20 kΩ
A/D converter resolution	12 bit (monotonic)
Input filter	digital
Limit frequency (3 dB)	1 Hz (3 dB)
Measuring principle	Successive approximation
Protective circuit	Transient voltage suppression

Digital:

Input name	Digital inputs
Description of the input	EN 61131-2 type 1 NPN/PNP
Number of inputs	8
Connection method	Screw connection
Input voltage range "0" signal	0 V DC ... 5 V DC
Input voltage range "1" signal	15 V DC ... 30 V DC
Nominal input voltage U_{IN}	24 V DC
Nominal input current at U_{IN}	5 mA DC (On) < 100 mA (Off)
Typical response time	20 ms (on) 70 μs (OFF)

2700464

<https://www.phoenixcontact.com/us/products/2700464>

Counter:

Number of inputs	2
Input frequency	6 kHz

Output data

Digital:

Output name	Relay output
Output description	Relay output
Connection method	Screw connection
Number of outputs	4
Protective circuit	External protection required
Maximum output current per channel	5 A
Maximum output current per module / terminal block	20 A
Maximum output current per module	5 A
Nominal output voltage	24 V DC
Nominal load, ohmic	600 W (@ 24 ohms)
Maximum operating frequency with ohmic nominal load	0.5 Hz (at full load)
Signal delay	10 ms (@ 20 °C (excludes bounce))

Connection data

Connection method	Screw connection
Conductor cross-section, rigid	0.2 mm ² ... 2.5 mm ²
Conductor cross-section, flexible	0.2 mm ² ... 2.5 mm ²
Conductor cross-section AWG	24 ... 12

Interfaces

Operator Panel

Connection method	RJ45 / COMBICON
-------------------	-----------------

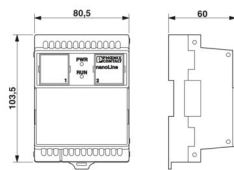
RS-232

Connection method	Slot 1
-------------------	--------

USB

Connection method	Slot 1
-------------------	--------

Dimensions

Dimensional drawing	
Width	80.5 mm
Height	103.5 mm

NLC-055-024D-08I-04QRD-05A - Base unit



2700464

<https://www.phoenixcontact.com/us/products/2700464>

Depth	60 mm
-------	-------

Material specifications

Color	white
-------	-------

Environmental and real-life conditions

Ambient conditions

Degree of protection	IP20
Ambient temperature (operation)	-25 °C ... 60 °C
Ambient temperature (storage/transport)	-25 °C ... 85 °C
Permissible humidity (operation)	90 %
Permissible humidity (storage/transport)	90 %

Mounting

Mounting type	DIN rail mounting
---------------	-------------------

NLC-055-024D-08I-04QRD-05A - Base unit

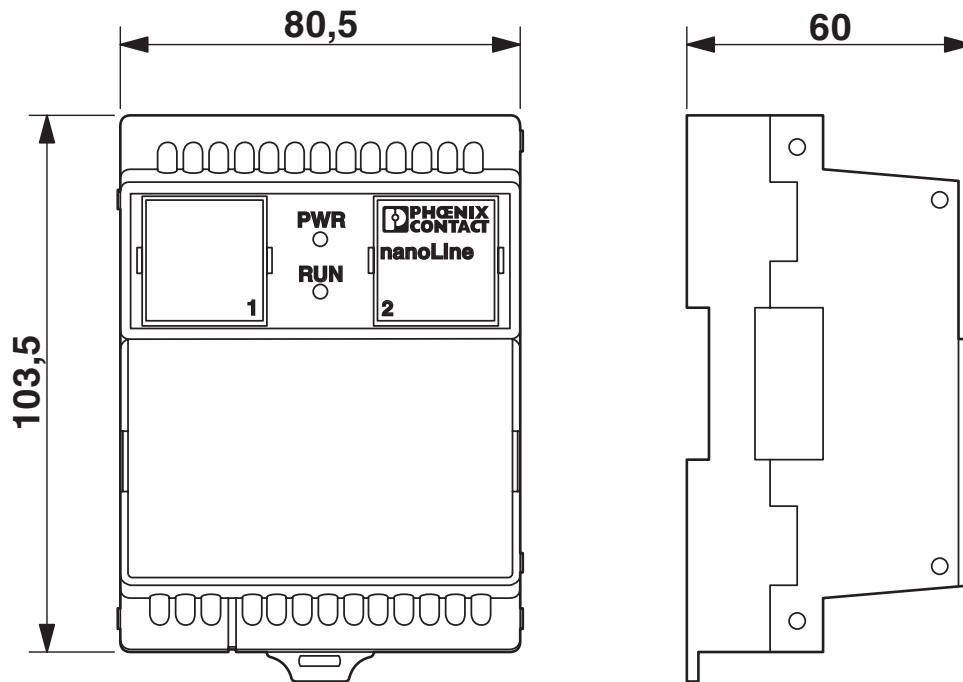


2700464

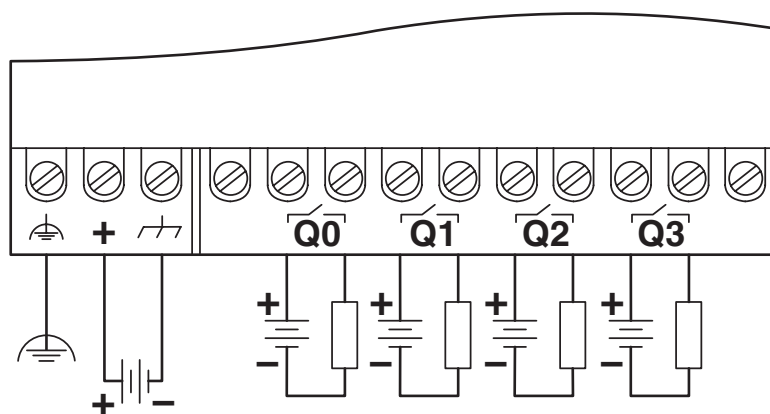
<https://www.phoenixcontact.com/us/products/2700464>

Drawings

Dimensional drawing



Connection diagram



2700464

<https://www.phoenixcontact.com/us/products/2700464>

Approvals

To download certificates, visit the product detail page: <https://www.phoenixcontact.com/us/products/2700464>



UL Listed

Approval ID: E238705



cUL Listed

Approval ID: E238705

2700464

<https://www.phoenixcontact.com/us/products/2700464>

Classifications

ECLASS

ECLASS-13.0

27242216

ETIM

ETIM 9.0

EC001417

UNSPSC

UNSPSC 21.0

39122300

2700464

<https://www.phoenixcontact.com/us/products/2700464>

Environmental product compliance

EU RoHS

Fulfills EU RoHS substance requirements	Yes
Exemption	6(c)

China RoHS

Environment friendly use period (EFUP)	EFUP-50
	An article-related China RoHS declaration table can be found in the download area for the respective article under "Manufacturer declaration". For all articles with EFUP-E, no China RoHS declaration table issued and required.

EU REACH SVHC

REACH candidate substance (CAS No.)	1, 2-dimethoxyethane; ethylene glycol dimethyl ether (EGDME)(CAS: 110-71-4)
	Lead(CAS: 7439-92-1)
SCIP	d142a257-46e6-4429-8569-78d99a580adc

Phoenix Contact 2026 © - all rights reserved
<https://www.phoenixcontact.com>

Phoenix Contact USA
 586 Fulling Mill Road
 Middletown, PA 17057, United States
 (+717) 944-1300
info@phoenixcon.com