

TRK 1,5/ 2 N-FS OG - Transformer terminal block



2700382

<https://www.phoenixcontact.com/us/products/2700382>

Please be informed that the data shown in this PDF document is generated from our online catalog. Please find the complete data in the user documentation. Our general terms of use for downloads are valid.



Transformer terminal block, connection method: Screw/Slip-on connection, length: 28.5 mm, width: 15 mm, height: 19 mm, color: orange

Commercial data

| | |
|--------------------------------------|---------------|
| Item number | 2700382 |
| Packing unit | 50 pc |
| Minimum order quantity | 50 pc |
| Sales key | AA18 |
| Product key | AARAAB |
| GTIN | 4017918324087 |
| Weight per piece (including packing) | 6.236 g |
| Weight per piece (excluding packing) | 6.236 g |
| Customs tariff number | 85369010 |
| Country of origin | GR |

TRK 1,5/ 2 N-FS OG - Transformer terminal block



2700382

<https://www.phoenixcontact.com/us/products/2700382>

Technical data

Product properties

| | |
|-----------------------|----------------------------|
| Product type | Distributor terminal block |
| Number of positions | 2 |
| Number of connections | 6 |
| Number of rows | 1 |

Insulation characteristics

| | |
|----------------------|-----|
| Overvoltage category | III |
| Degree of pollution | 3 |

Electrical properties

| | |
|--------------------------|--------|
| Maximum load current | 17.5 A |
| Rated insulation voltage | 800 V |
| Rated surge voltage | 8 kV |

Connection data

| | |
|---|--|
| Maximum load current | 17.5 A |
| Connection method | Screw/Slip-on connection |
| Screw thread | M3 |
| Tightening torque | 0.6 ... 0.8 Nm |
| Stripping length | 9 mm |
| | 9 mm |
| Internal cylindrical gage | A1 |
| Spade connection | 2.8 x 0.8 mm |
| Connection in acc. with standard | IEC / EN |
| Conductor cross-section rigid | 0.5 mm ² ... 1.5 mm ² |
| Cross section AWG | 20 ... 16 (converted acc. to IEC) |
| Conductor cross-section flexible | 0.75 mm ² ... 1.5 mm ² |
| Conductor cross-section flexible (ferrule without plastic sleeve) | 0.5 mm ² ... 1.5 mm ² |
| Flexible conductor cross-section (ferrule with plastic sleeve) | 0.5 mm ² ... 1.5 mm ² |
| 2 conductors with same cross section, rigid | 0.5 mm ² ... 1.5 mm ² |
| 2 conductors with same cross section, flexible | 0.75 mm ² ... 1.5 mm ² |
| 2 conductors with same cross section, flexible, with ferrule without plastic sleeve | 0.5 mm ² ... 1.5 mm ² |
| 2 conductors with the same cross section, flexible, with TWIN ferrule with plastic sleeve | 0.5 mm ² ... 1 mm ² |
| Nominal current | 17.5 A |
| Maximum load current | 17.5 A (with 1.5 mm ² conductor cross-section) |
| Nominal voltage | 800 V (voltage data only possible in conjunction with transformer) |

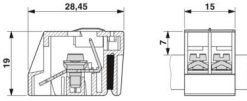
Dimensions

TRK 1,5/ 2 N-FS OG - Transformer terminal block



2700382

<https://www.phoenixcontact.com/us/products/2700382>

| | |
|---------------------|--|
| Dimensional drawing |  |
| Width | 15 mm |
| Height | 19 mm |
| Length | 28.5 mm |

Material specifications

| | |
|--|-------------------|
| Color (Housing) | orange (RAL 2003) |
| Flammability rating according to UL 94 | V2 |
| Insulating material group | I |
| Insulating material | PA |

Standards and regulations

| | |
|----------------------------------|----------|
| Connection in acc. with standard | IEC / EN |
|----------------------------------|----------|

Mounting

| | |
|---------------|----------|
| Mounting type | DIN rail |
|---------------|----------|

Packaging specifications

| | |
|-------------------|---------------------|
| Type of packaging | packed in cardboard |
|-------------------|---------------------|

TRK 1,5/ 2 N-FS OG - Transformer terminal block

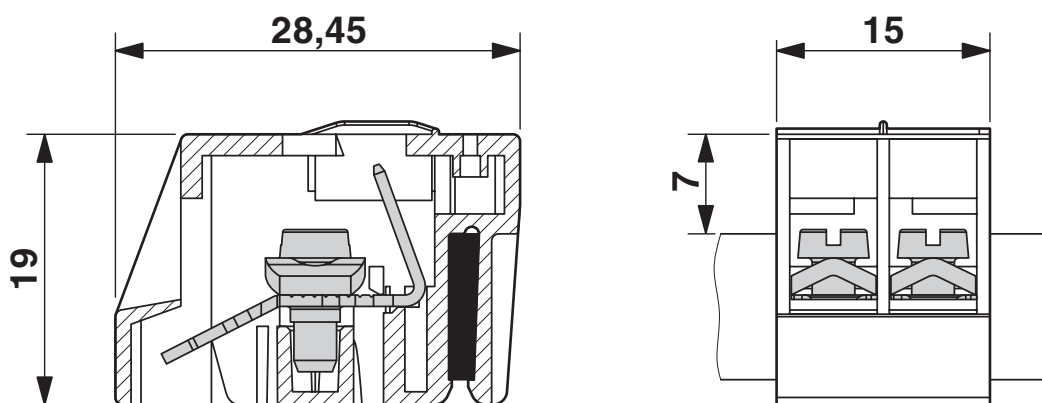


2700382

<https://www.phoenixcontact.com/us/products/2700382>

Drawings

Dimensional drawing



TRK 1,5/ 2 N-FS OG - Transformer terminal block





2700382

<https://www.phoenixcontact.com/us/products/2700382>

Approvals

To download certificates, visit the product detail page: <https://www.phoenixcontact.com/us/products/2700382>

|  cUL Recognized Approval ID: FILE E 60425 | | | | |
|--|-----------------------|-----------------------|-------------------|-----------------------------|
| | Nominal voltage U_N | Nominal current I_N | Cross section AWG | Cross section mm^2 |
| B | 300 V | 15 A | 22 - 14 | - |
| C | 300 V | 15 A | 22 - 14 | - |

|  UL Recognized Approval ID: FILE E 60425 | | | | |
|---|-----------------------|-----------------------|-------------------|-----------------------------|
| | Nominal voltage U_N | Nominal current I_N | Cross section AWG | Cross section mm^2 |
| B | 300 V | 15 A | 22 - 14 | - |
| C | 300 V | 15 A | 22 - 14 | - |

TRK 1,5/ 2 N-FS OG - Transformer terminal block



2700382

<https://www.phoenixcontact.com/us/products/2700382>

Classifications

ECLASS

| | |
|-------------|----------|
| ECLASS-13.0 | 27141110 |
| ECLASS-15.0 | 27141110 |

UNSPSC

| | |
|-------------|----------|
| UNSPSC 21.0 | 39121410 |
|-------------|----------|

TRK 1,5/ 2 N-FS OG - Transformer terminal block



2700382

<https://www.phoenixcontact.com/us/products/2700382>

Environmental product compliance

EU RoHS

| | |
|---|--------------------|
| Fulfills EU RoHS substance requirements | Yes, No exemptions |
|---|--------------------|

China RoHS

| | |
|--|--|
| Environment friendly use period (EFUP) | EFUP-E |
| | No hazardous substances above the limits |

EU REACH SVHC

| | |
|-------------------------------------|----------------------------|
| REACH candidate substance (CAS No.) | No substance above 0.1 wt% |
|-------------------------------------|----------------------------|

Phoenix Contact 2026 © - all rights reserved
<https://www.phoenixcontact.com>

Phoenix Contact USA
586 Fulling Mill Road
Middletown, PA 17057, United States
(+717) 944-1300
info@phoenixcon.com