

# AXL E IOL RTD1 M12 R - Analog module



2700305

<https://www.phoenixcontact.com/us/products/2700305>

Please be informed that the data shown in this PDF document is generated from our online catalog. Please find the complete data in the user documentation. Our general terms of use for downloads are valid.

Axioline E IO-Link/analog converter for connecting a temperature measuring resistor, M12 connectors, angled version



## Product description

The IO-Link/analog converter is an IO-Link device that converts analog signals into the IO-Link protocol. It therefore enables you to acquire the signals of analog sensors via an IO-Link master.

## Your advantages

- Connection to an IO-Link master with M12 connector (A-coded, 4-pos.)
- 1 IO-Link interface
- IO-Link A port
- IO-Link specification V1.1.1
- Angled version
- 1 analog input for connecting resistance temperature detectors (RTDs)
- Connection of the sensor in 3- or 4-conductor technology via an M12 connector (A-coded, 5-pos.)
- Voltage range: 0 V ... 10 V
- Functional ground connection for local connection to functional ground
- Supply of the module electronics and the sensor via the IO-Link interface of the IO-Link master
- Local status indicator
- IP65/IP67 degree of protection

## Commercial data

Item number	2700305
Packing unit	1 pc
Minimum order quantity	1 pc
Sales key	DR04
Product key	DRI7Z5
GTIN	4046356782616
Weight per piece (including packing)	51 g
Weight per piece (excluding packing)	34 g
Customs tariff number	85176200
Country of origin	DE

# AXL E IOL RTD1 M12 R - Analog module



2700305

<https://www.phoenixcontact.com/us/products/2700305>

## Technical data

### Notes

#### Note on application

Note on application	Only for industrial use
---------------------	-------------------------

### Product properties

Product type	Interface converter
Product family	Axioline E
Type	Stand-alone Axioline E
Diagnostics messages	Overrange or underrange Message in the diagnostic code (in the IB IL format) Measured value invalid/no valid measured value present Message in the diagnostic code (in the IB IL format) Configuration invalid Message in the diagnostic code (in the IB IL format) Module faulty Message in the diagnostic code (in the IB IL format)

#### Insulation characteristics

Pollution degree	2
------------------	---

### Electrical properties

#### Supply: IO-Link

Nominal voltage for I/O supply	24 V DC (This supply voltage is provided via the IO-Link interface of the IO-Link master.)
Current consumption	typ. 16.5 mA $\pm$ 15 % (at 24 V DC) max. 25 mA
Protective circuit	Reverse polarity protection Short-circuit protection Overload protection

### Input data

#### Analog:

Input name	Analog RTD input
Description of the input	Input for resistive temperature sensors
Number of inputs	1 (for resistance temperature detectors)
Connection method	M12 connector, A-coded
Connection technology	3-conductor (4-conductor as an option)
A/D converter resolution	12 bit
Sensor types (RTD) that can be used	Pt 100, Pt 1000
Tolerance, relative	< 0.3 % (Of the measuring range final value in the nominal range)

# AXL E IOL RTD1 M12 R - Analog module



2700305

<https://www.phoenixcontact.com/us/products/2700305>

Data formats	IB IL, S7-compatible
Linear resistance measuring range	0 Ω ... 500 Ω (IB IL format)
	0 Ω ... 5 kΩ (IB IL format)
	0 Ω ... 600 Ω (Format S7 compatible)
	0 Ω ... 6 kΩ (Format S7 compatible)
Protective circuit	Reverse polarity protection
	Short-circuit protection
	Overload protection

## IO-Link

Number of ports	1
Connection method	M12 connector, A-coded
Connection technology	3-conductor
Specification	V1.1.1
Reverse polarity protection	yes
Cycle Time	min. 2 ms
Amount of process data	16 bit (Input data)
	16 bit (Output data)

## Signaling

### Diagnostic messages

Diagnostics	Overrange or underrange
Message	Message in the diagnostic code (in the IB IL format)

### Diagnostic messages

Diagnostics	Measured value invalid/no valid measured value present
Message	Message in the diagnostic code (in the IB IL format)

### Diagnostic messages

Diagnostics	Configuration invalid
Message	Message in the diagnostic code (in the IB IL format)

### Diagnostic messages

Diagnostics	Module faulty
Message	Message in the diagnostic code (in the IB IL format)

## Dimensions

Dimensional drawing	
Width	16.6 mm
Height	42 mm
Depth	66.5 mm

# AXL E IOL RTD1 M12 R - Analog module



2700305

<https://www.phoenixcontact.com/us/products/2700305>

## Material specifications

Color (Housing)	anthracite gray (RAL 7016)
-----------------	----------------------------

## Environmental and real-life conditions

### Ambient conditions

Ambient temperature (operation)	-25 °C ... 60 °C
Degree of protection	IP65/IP67
Air pressure (operation)	70 kPa ... 106 kPa (up to 3000 m above sea level)
Air pressure (storage/transport)	70 kPa ... 106 kPa (up to 3000 m above sea level)
Ambient temperature (storage/transport)	-25 °C ... 85 °C
Permissible humidity (operation)	5 % ... 95 %
Permissible humidity (storage/transport)	5 % ... 95 %

### Mechanical test

Vibration resistance in accordance with EN 60068-2-6/IEC 60068-2-6	Operation: 2g
	Storage/transport: 5g
Shock in accordance with EN 60068-2-27/IEC 60068-2-27	Operation: 30g, 11 ms, three shocks in each space direction
	Storage/transport: 50g, 11 ms, three shocks in each space direction
Continuous shock in accordance with EN 60068-2-27/IEC 60068-2-27	10g, 16 ms, 1000 shocks, in all space directions

## Standards and regulations

Protection class	III (IEC 61140, EN 61140, VDE 0140-1)
------------------	---------------------------------------

## Mounting

Mounting type	Screw mounting (M12 thread)
---------------	-----------------------------

# AXL E IOL RTD1 M12 R - Analog module

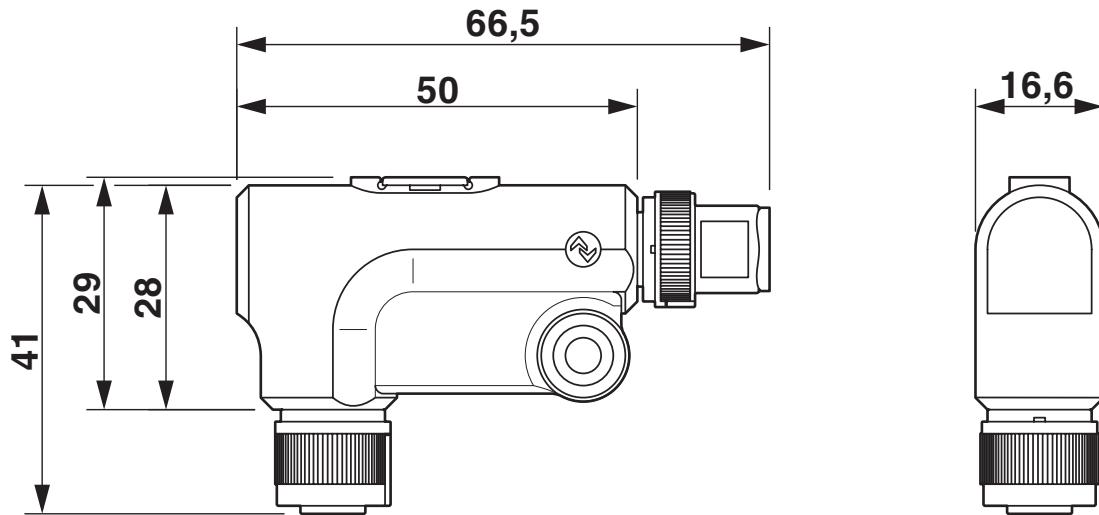
2700305

<https://www.phoenixcontact.com/us/products/2700305>

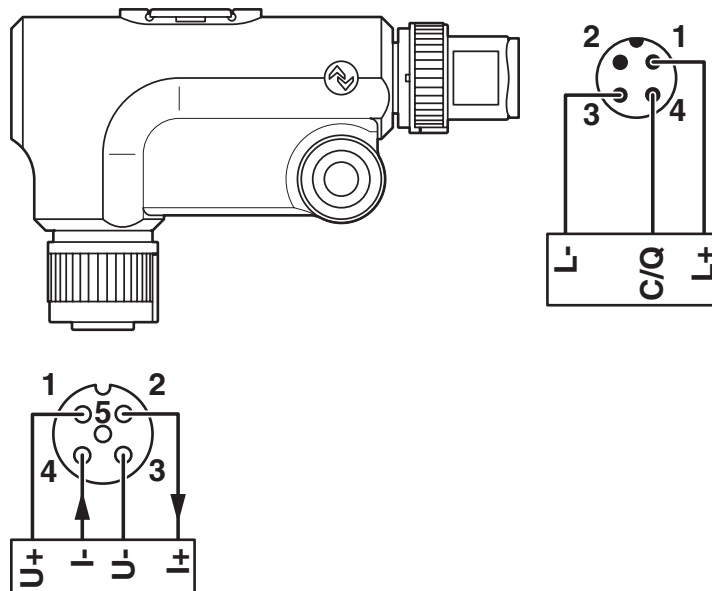


## Drawings

Dimensional drawing



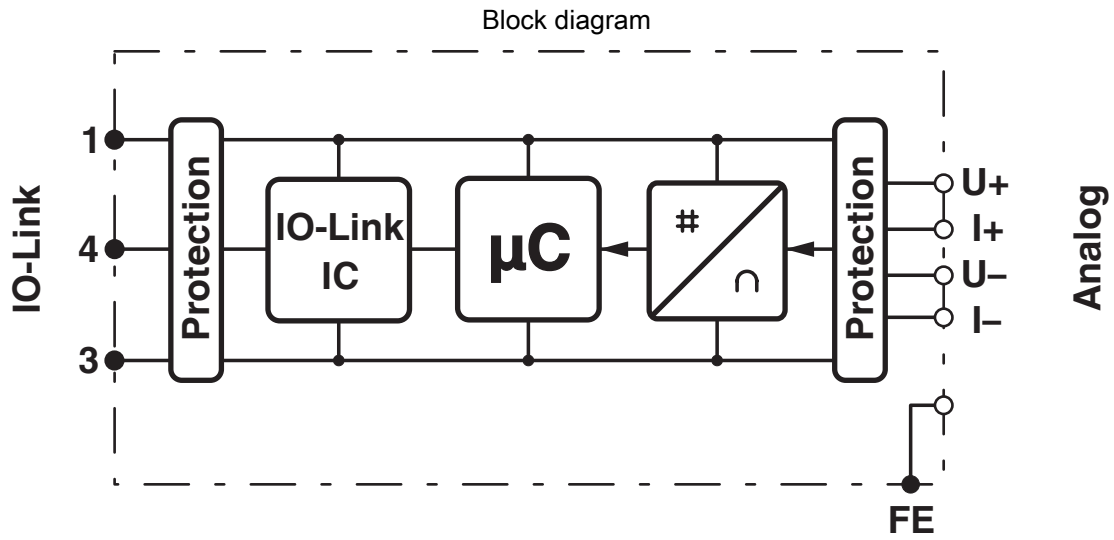
Connection diagram



# AXL E IOL RTD1 M12 R - Analog module

2700305

<https://www.phoenixcontact.com/us/products/2700305>



# AXL E IOL RTD1 M12 R - Analog module



2700305

<https://www.phoenixcontact.com/us/products/2700305>

## Approvals

To download certificates, visit the product detail page: <https://www.phoenixcontact.com/us/products/2700305>



**cULus Listed**

Approval ID: E140324

# AXL E IOL RTD1 M12 R - Analog module



2700305

<https://www.phoenixcontact.com/us/products/2700305>

## Classifications

### ECLASS

ECLASS-13.0	27242601
ECLASS-15.0	27242601

### ETIM

ETIM 10.0	EC001596
-----------	----------

### UNSPSC

UNSPSC 21.0	32151600
-------------	----------

# AXL E IOL RTD1 M12 R - Analog module



2700305

<https://www.phoenixcontact.com/us/products/2700305>

## Environmental product compliance

### EU RoHS

Fulfills EU RoHS substance requirements	Yes
Exemption	6(c)

### China RoHS

Environment friendly use period (EFUP)	EFUP-50
	An article-related China RoHS declaration table can be found in the download area for the respective article under "Manufacturer declaration". For all articles with EFUP-E, no China RoHS declaration table issued and required.

### EU REACH SVHC

REACH candidate substance (CAS No.)	Lead(CAS: 7439-92-1)
SCIP	74e6292a-20bf-4304-836a-2ee1d2a13313

Phoenix Contact 2026 © - all rights reserved

<https://www.phoenixcontact.com>

Phoenix Contact USA  
586 Fulling Mill Road  
Middletown, PA 17057, United States  
(+717) 944-1300  
[info@phoenixcon.com](mailto:info@phoenixcon.com)