

IB IL SGI EU CALSET - Calibration set



2700165

<https://www.phoenixcontact.com/us/products/2700165>

Please be informed that the data shown in this PDF document is generated from our online catalog. Please find the complete data in the user documentation. Our general terms of use for downloads are valid.

Calibration set, required for approval, consisting of a covering hood to protect against manipulation, markers, connector-in PCB with SMKDS terminals, shield fast connections, marker pen



Commercial data

Item number	2700165
Packing unit	1 pc
Minimum order quantity	1 pc
Product key	DRI1Z4
GTIN	4046356491693
Weight per piece (including packing)	112.8 g
Weight per piece (excluding packing)	112 g
Country of origin	DE

IB IL SGI EU CALSET - Calibration set



2700165

<https://www.phoenixcontact.com/us/products/2700165>

Technical data

Product properties

Product type	Plug
Application	Calibration set

Connection data

SMKDS terminals

Connection method	Screw connection
Conductor cross-section, rigid	0.14 mm ² ... 1.5 mm ²
Conductor cross-section, flexible	0.14 mm ² ... 1 mm ²
Conductor cross-section AWG	26 ... 16

Dimensions

Width	46 mm
-------	-------

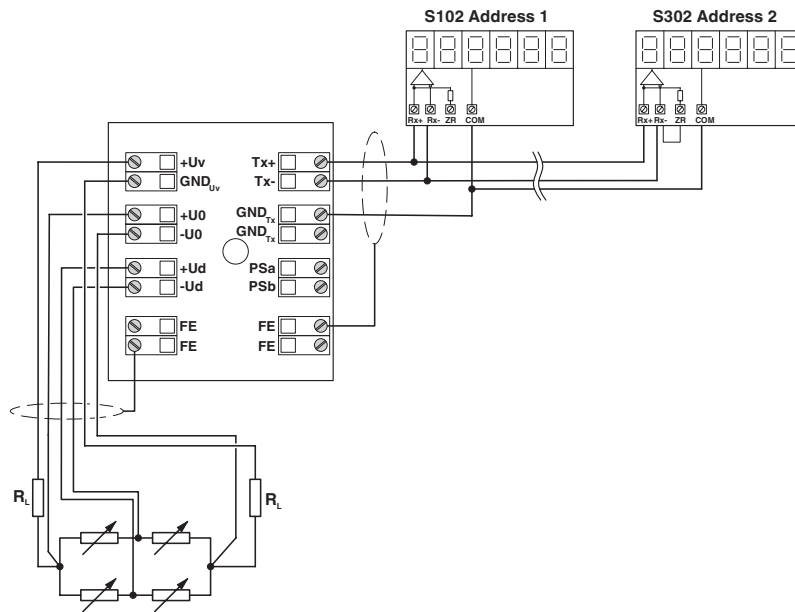
IB IL SGI EU CALSET - Calibration set

2700165

<https://www.phoenixcontact.com/us/products/2700165>

Drawings

Connection diagram



Connection of strain gauges in 6-conductor technology (calibration set)

2700165

<https://www.phoenixcontact.com/us/products/2700165>

Environmental product compliance

China RoHS

Environment friendly use period (EFUP)	EFUP-50
	An article-related China RoHS declaration table can be found in the download area for the respective article under "Manufacturer declaration". For all articles with EFUP-E, no China RoHS declaration table issued and required.

EU REACH SVHC

REACH candidate substance (CAS No.)	No substance above 0.1 wt%
-------------------------------------	----------------------------

Phoenix Contact 2026 © - all rights reserved
<https://www.phoenixcontact.com>

Phoenix Contact USA
586 Fulling Mill Road
Middletown, PA 17057, United States
(+717) 944-1300
info@phoenixcon.com