

# PSD-S ME BR-SM/2S - Mounting bracket



2700161

<https://www.phoenixcontact.com/us/products/2700161>

Please be informed that the data shown in this PDF document is generated from our online catalog. Please find the complete data in the user documentation. Our general terms of use for downloads are valid.



Angle for two-sided floor mounting, concealed cable routing, black

## Your advantages

- Two-sided mounting for up to 10 signal elements
- With concealed cable routing

## Commercial data

Item number	2700161
Packing unit	1 pc
Minimum order quantity	1 pc
Sales key	DR07
Product key	DRL117
GTIN	4046356491518
Weight per piece (including packing)	75.2 g
Weight per piece (excluding packing)	75.2 g
Customs tariff number	39269097
Country of origin	DE

# PSD-S ME BR-SM/2S - Mounting bracket



2700161

<https://www.phoenixcontact.com/us/products/2700161>

## Technical data

### Notes

#### Note on application

Note on application	Only for industrial use
---------------------	-------------------------

### Product properties

Product type	Assembly element
Product family	PSD-S
Scope of supply	4 x lens sheet screw 3 x seal
	4 x lens sheet screw 3 x seal

### Dimensions

Dimensional drawing	
Height	98 mm
Diameter	70 mm

### Material specifications

Color	black
Material	PA A3 x 2G5

### Environmental and real-life conditions

#### Ambient conditions

Ambient temperature (operation)	-30 °C ... 60 °C
---------------------------------	------------------

### Mounting

Mounting type	Base mounting (Seal enclosed)
Mounting position	any

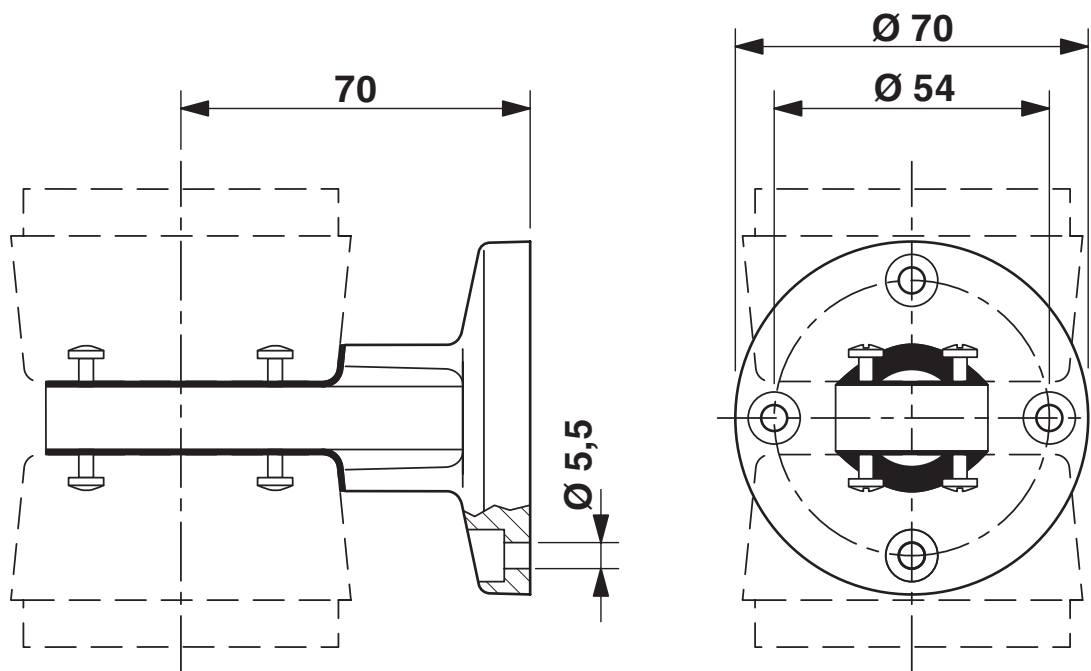
# PSD-S ME BR-SM/2S - Mounting bracket

2700161

<https://www.phoenixcontact.com/us/products/2700161>

## Drawings

Dimensional drawing



# PSD-S ME BR-SM/2S - Mounting bracket



2700161

<https://www.phoenixcontact.com/us/products/2700161>

## Classifications

### ECLASS

ECLASS-13.0	27371233
ECLASS-15.0	27371233

### ETIM

ETIM 10.0	EC001153
-----------	----------

### UNSPSC

UNSPSC 21.0	46171600
-------------	----------

# PSD-S ME BR-SM/2S - Mounting bracket



2700161

<https://www.phoenixcontact.com/us/products/2700161>

## Environmental product compliance

### EU RoHS

Fulfills EU RoHS substance requirements	Yes
Exemption	6(a), 6(a)-I

### China RoHS

Environment friendly use period (EFUP)	EFUP-E
	No hazardous substances above the limits

### EU REACH SVHC

REACH candidate substance (CAS No.)	Lead(CAS: 7439-92-1)
SCIP	2b6a4a6a-3b60-4edd-b113-0c19b86efc1a

Phoenix Contact 2026 © - all rights reserved  
<https://www.phoenixcontact.com>

Phoenix Contact USA  
586 Fulling Mill Road  
Middletown, PA 17057, United States  
(+717) 944-1300  
[info@phoenixcon.com](mailto:info@phoenixcon.com)