

PSD-S ME T-M 400 - Mounting material



2700158

<https://www.phoenixcontact.com/us/products/2700158>

Please be informed that the data shown in this PDF document is generated from our online catalog. Please find the complete data in the user documentation. Our general terms of use for downloads are valid.



Tube, 400 mm high, Ø 25 mm

Commercial data

Item number	2700158
Packing unit	1 pc
Minimum order quantity	1 pc
Sales key	DR07
Product key	DRL117
GTIN	4046356491495
Weight per piece (including packing)	119.4 g
Weight per piece (excluding packing)	112 g
Customs tariff number	76082081
Country of origin	DE

PSD-S ME T-M 400 - Mounting material



2700158

<https://www.phoenixcontact.com/us/products/2700158>

Technical data

Notes

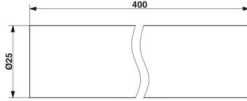
Note on application

Note on application	Only for industrial use
---------------------	-------------------------

Product properties

Product type	Assembly element
Product family	PSD-S

Dimensions

Dimensional drawing	
Height	400 mm
Diameter	25 mm

Material specifications

Color	silver
Material	Anodized aluminum

Environmental and real-life conditions

Ambient conditions

Degree of protection	IP66
Ambient temperature (operation)	-30 °C ... 60 °C

Mounting

Mounting type	Plug-in mounting
Mounting position	any

PSD-S ME T-M 400 - Mounting material

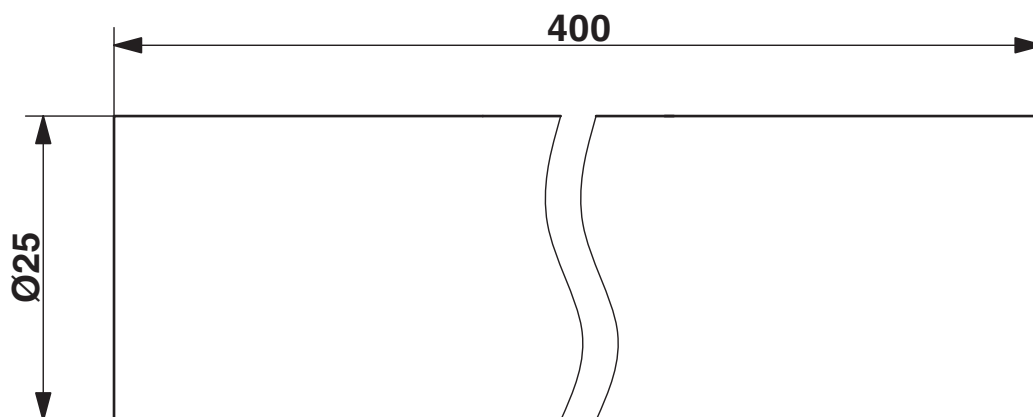


2700158

<https://www.phoenixcontact.com/us/products/2700158>

Drawings

Dimensional drawing



PSD-S ME T-M 400 - Mounting material



2700158

<https://www.phoenixcontact.com/us/products/2700158>

Classifications

ECLASS

ECLASS-13.0	27371236
ECLASS-15.0	27371236

ETIM

ETIM 10.0	EC001155
-----------	----------

UNSPSC

UNSPSC 21.0	46171600
-------------	----------

PSD-S ME T-M 400 - Mounting material



2700158

<https://www.phoenixcontact.com/us/products/2700158>

Environmental product compliance

EU RoHS

Fulfills EU RoHS substance requirements	Yes, No exemptions
---	--------------------

China RoHS

Environment friendly use period (EFUP)	EFUP-E
	No hazardous substances above the limits

EU REACH SVHC

REACH candidate substance (CAS No.)	No substance above 0.1 wt%
-------------------------------------	----------------------------

EF3.1 Climate Change

CO2e kg	1.114 kg CO2e
---------	---------------

Phoenix Contact 2026 © - all rights reserved
<https://www.phoenixcontact.com>

Phoenix Contact USA
586 Fulling Mill Road
Middletown, PA 17057, United States
(+717) 944-1300
info@phoenixcon.com