

PSD-S ME OB - Mounting material



2700153

<https://www.phoenixcontact.com/us/products/2700153>

Please be informed that the data shown in this PDF document is generated from our online catalog. Please find the complete data in the user documentation. Our general terms of use for downloads are valid.

Outlet box with lateral cable entry for floor and base mounting



Your advantages

- One-sided assembly for up to 5 signal elements

Commercial data

Item number	2700153
Packing unit	1 pc
Minimum order quantity	1 pc
Sales key	DR07
Product key	DRL117
GTIN	4046356491440
Weight per piece (including packing)	72.7 g
Weight per piece (excluding packing)	71.4 g
Customs tariff number	39269097
Country of origin	DE

PSD-S ME OB - Mounting material



2700153

<https://www.phoenixcontact.com/us/products/2700153>

Technical data

Notes

Note on application

Note on application	Only for industrial use
---------------------	-------------------------

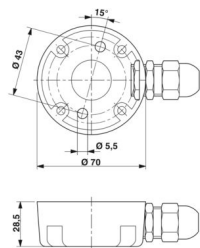
Product properties

Product type	Assembly element
Product family	PSD-S
Scope of supply	4 x plastic screw 1 x cable threaded joint 1 x nut
	4 x plastic screw 1 x cable threaded joint 1 x nut

Connection data

Connection method	Screw connection
-------------------	------------------

Dimensions

Dimensional drawing	
Height	28.5 mm
Diameter	70 mm

Material specifications

Color	black
Material	PA-GF

Environmental and real-life conditions

Ambient conditions

Degree of protection	IP65
Ambient temperature (operation)	-30 °C ... 60 °C

Mounting

Mounting type	Screw mounting (Seal enclosed)
Mounting position	any

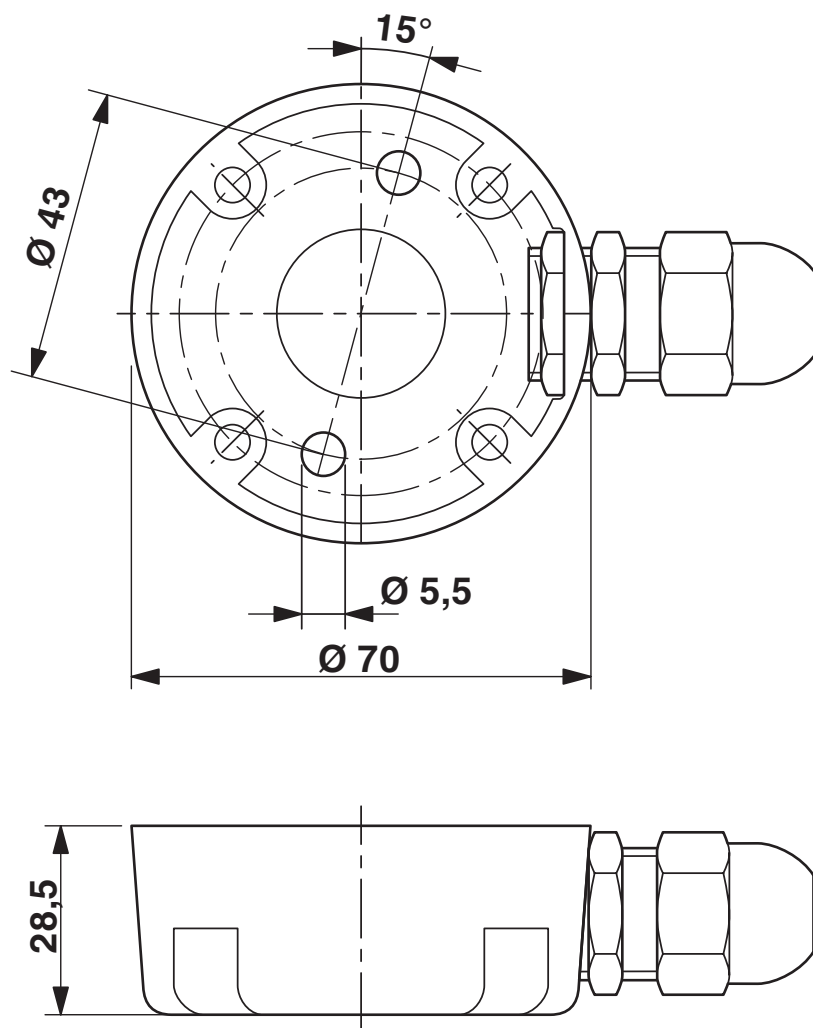
PSD-S ME OB - Mounting material

2700153

<https://www.phoenixcontact.com/us/products/2700153>

Drawings

Dimensional drawing



PSD-S ME OB - Mounting material



2700153

<https://www.phoenixcontact.com/us/products/2700153>

Classifications

ECLASS

ECLASS-13.0	27371232
ECLASS-15.0	27371232

ETIM

ETIM 10.0	EC001152
-----------	----------

UNSPSC

UNSPSC 21.0	46171600
-------------	----------

PSD-S ME OB - Mounting material



2700153

<https://www.phoenixcontact.com/us/products/2700153>

Environmental product compliance

EU RoHS

Fulfills EU RoHS substance requirements	Yes
Exemption	6(c)

China RoHS

Environment friendly use period (EFUP)	EFUP-E
	No hazardous substances above the limits

EU REACH SVHC

REACH candidate substance (CAS No.)	Lead(CAS: 7439-92-1)
SCIP	ff2a29f9-4989-4c09-a8ec-8e491e83ad8d

EF3.1 Climate Change

CO2e kg	1.043 kg CO2e
---------	---------------

Phoenix Contact 2026 © - all rights reserved
<https://www.phoenixcontact.com>

Phoenix Contact USA
586 Fulling Mill Road
Middletown, PA 17057, United States
(+717) 944-1300
info@phoenixcon.com