

PSD-S ME FB - Mounting material

2700151

<https://www.phoenixcontact.com/us/products/2700151>

Please be informed that the data shown in this PDF document is generated from our online catalog. Please find the complete data in the user documentation. Our general terms of use for downloads are valid.

Foldaway base, pitch 7.5°, black



Commercial data

Item number	2700151
Packing unit	1 pc
Minimum order quantity	1 pc
Sales key	DR07
Product key	DRL117
GTIN	4046356491426
Weight per piece (including packing)	189.7 g
Weight per piece (excluding packing)	165 g
Customs tariff number	39269097
Country of origin	DE

PSD-S ME FB - Mounting material

2700151

<https://www.phoenixcontact.com/us/products/2700151>

Technical data

Notes

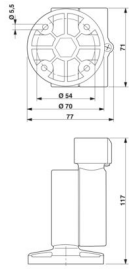
Note on application

Note on application	Only for industrial use
---------------------	-------------------------

Product properties

Product type	Assembly element
Product family	PSD-S
Scope of supply	3 x with screws (hexagonal socket-head) 1 x seal 1 x foam material ring
	3 x with screws (hexagonal socket-head) 1 x seal 1 x foam material ring

Dimensions

Dimensional drawing	
Width	77 mm
Height	117 mm
Diameter	70 mm

Material specifications

Color	black (RAL 9005)
Material	PA-GF

Environmental and real-life conditions

Ambient conditions

Degree of protection	IP66
Ambient temperature (operation)	-30 °C ... 60 °C

Mounting

Mounting type	Screw mounting (Seal enclosed)
Mounting position	any

PSD-S ME FB - Mounting material

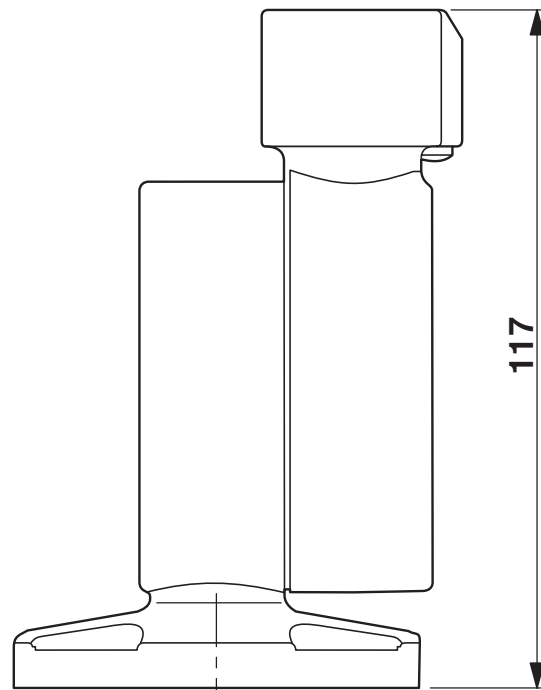
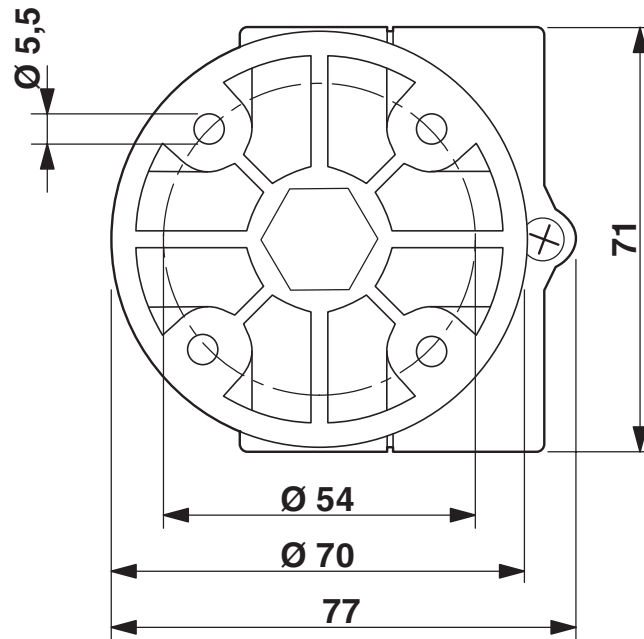
2700151

<https://www.phoenixcontact.com/us/products/2700151>



Drawings

Dimensional drawing



PSD-S ME FB - Mounting material



2700151

<https://www.phoenixcontact.com/us/products/2700151>

Classifications

ECLASS

ECLASS-13.0	27371235
ECLASS-15.0	27371235

ETIM

ETIM 10.0	EC001154
-----------	----------

UNSPSC

UNSPSC 21.0	43221500
-------------	----------

PSD-S ME FB - Mounting material



2700151

<https://www.phoenixcontact.com/us/products/2700151>

Environmental product compliance

EU RoHS

Fulfills EU RoHS substance requirements	Yes
Exemption	6(a), 6(a)-I

China RoHS

Environment friendly use period (EFUP)	EFUP-E
	No hazardous substances above the limits

EU REACH SVHC

REACH candidate substance (CAS No.)	Lead(CAS: 7439-92-1)
SCIP	f83ae5cb-c32f-4317-93ae-5984b93d9e54

EF3.1 Climate Change

CO2e kg	2.977 kg CO2e
---------	---------------

Phoenix Contact 2026 © - all rights reserved
<https://www.phoenixcontact.com>

Phoenix Contact USA
586 Fulling Mill Road
Middletown, PA 17057, United States
(+717) 944-1300
info@phoenixcon.com