

PSD-S AS END COVER - End cover

2700148

<https://www.phoenixcontact.com/us/products/2700148>

Please be informed that the data shown in this PDF document is generated from our online catalog. Please find the complete data in the user documentation. Our general terms of use for downloads are valid.

Black end cover (replacement part)



Commercial data

Item number	2700148
Packing unit	1 pc
Minimum order quantity	1 pc
Sales key	DR07
Product key	DRL11Z
GTIN	4046356491396
Weight per piece (including packing)	17 g
Weight per piece (excluding packing)	16 g
Customs tariff number	85319000
Country of origin	DE

PSD-S AS END COVER - End cover



2700148

<https://www.phoenixcontact.com/us/products/2700148>

Technical data

Product properties

Product type	End cover
Product family	PSD-S

Environmental and real-life conditions

Ambient conditions

Ambient temperature (operation)	-30 °C ... 50 °C
---------------------------------	------------------

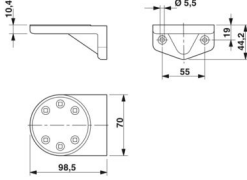
Mounting

Mounting type	Screw mounting
Mounting position	any

Material specifications

Color	black
Material	Polycarbonate PC

Dimensions

Dimensional drawing	
Height	16 mm
Diameter	70 mm

Notes

Note on application

Note on application	Only for industrial use
---------------------	-------------------------

PSD-S AS END COVER - End cover

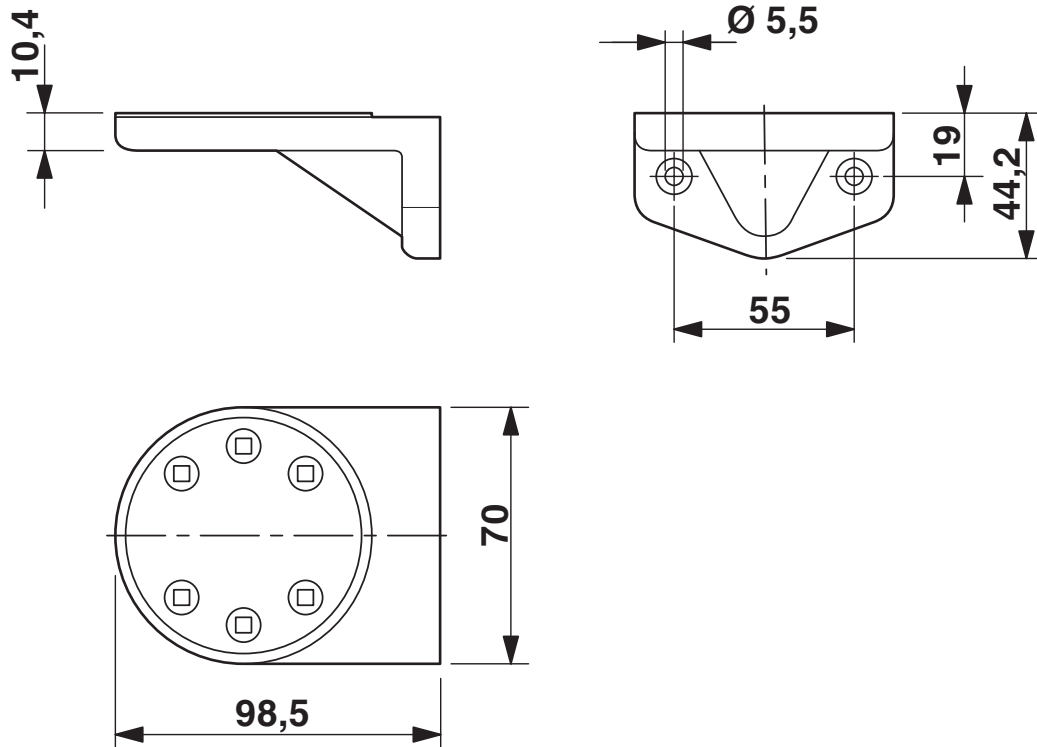
2700148

<https://www.phoenixcontact.com/us/products/2700148>



Drawings

Dimensional drawing



PSD-S AS END COVER - End cover



2700148

<https://www.phoenixcontact.com/us/products/2700148>

Classifications

ECLASS

ECLASS-13.0	27242292
ECLASS-15.0	27242292

ETIM

ETIM 10.0	EC002584
-----------	----------

UNSPSC

UNSPSC 21.0	32151600
-------------	----------

PSD-S AS END COVER - End cover



2700148

<https://www.phoenixcontact.com/us/products/2700148>

Environmental product compliance

EU RoHS

Fulfills EU RoHS substance requirements	Yes, No exemptions
---	--------------------

China RoHS

Environment friendly use period (EFUP)	EFUP-E
	No hazardous substances above the limits

EU REACH SVHC

REACH candidate substance (CAS No.)	No substance above 0.1 wt%
-------------------------------------	----------------------------

EF3.1 Climate Change

CO2e kg	0.5 kg CO2e
---------	-------------

Phoenix Contact 2026 © - all rights reserved
<https://www.phoenixcontact.com>

Phoenix Contact USA
586 Fulling Mill Road
Middletown, PA 17057, United States
(+717) 944-1300
info@phoenixcon.com