

PSD-S AS CABLE GLAND M16X1,5 - Cable gland

2700145

<https://www.phoenixcontact.com/us/products/2700145>

Please be informed that the data shown in this PDF document is generated from our online catalog. Please find the complete data in the user documentation. Our general terms of use for downloads are valid.



M16 cable threaded joint x 1.5 mm, black

Commercial data

Item number	2700145
Packing unit	1 pc
Minimum order quantity	1 pc
Sales key	DR07
Product key	DRL11Z
GTIN	4046356491372
Weight per piece (including packing)	12.9 g
Weight per piece (excluding packing)	12.6 g
Customs tariff number	39269097
Country of origin	DE

PSD-S AS CABLE GLAND M16X1,5 - Cable gland



2700145

<https://www.phoenixcontact.com/us/products/2700145>

Technical data

Notes

Note on application

Note on application	Only for industrial use
---------------------	-------------------------

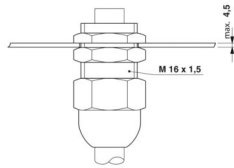
Mounting

Mounting type	Screw mounting
Mounting position	any

Product properties

Product type	Cable screw gland
Product family	PSD-S
Scope of supply	1 x nut
	1 x nut

Dimensions

Dimensional drawing	
Height	35 mm
Diameter	18 mm
Wrench size	19.00 mm
Wrench size for mounting	19.00 mm

Material specifications

Color	black
Color	black (RAL 9005)
Material	PA

Cable/line

External cable diameter	5 mm ... 10 mm
-------------------------	----------------

Environmental and real-life conditions

Ambient conditions

Ambient temperature (operation)	-30 °C ... 60 °C
---------------------------------	------------------

PSD-S AS CABLE GLAND M16X1,5 - Cable gland

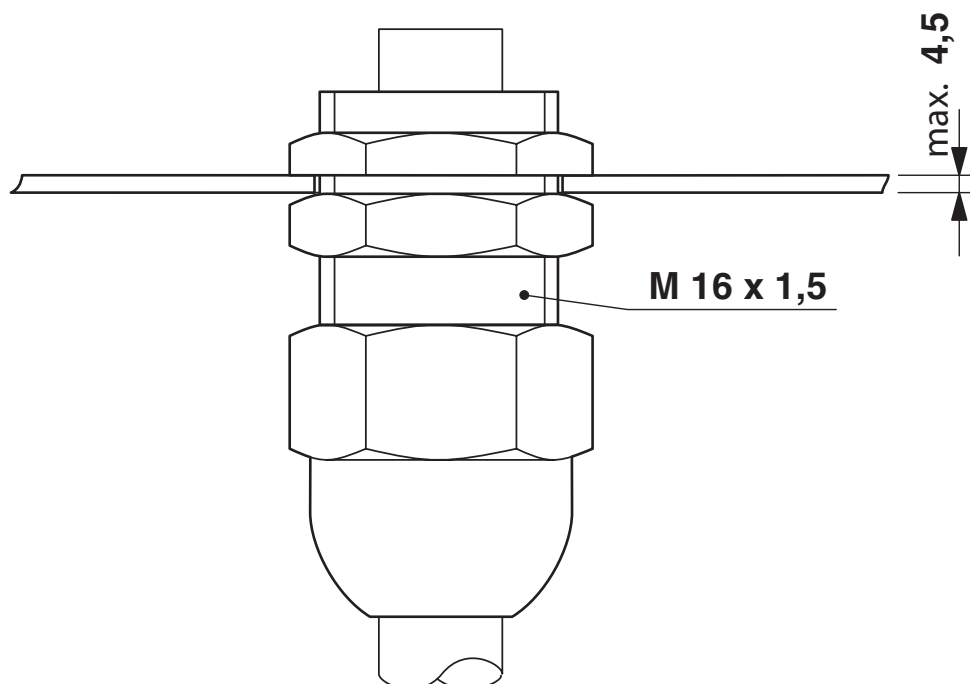
2700145

<https://www.phoenixcontact.com/us/products/2700145>



Drawings

Dimensional drawing



PSD-S AS CABLE GLAND M16X1,5 - Cable gland



2700145

<https://www.phoenixcontact.com/us/products/2700145>

Classifications

ECLASS

ECLASS-13.0	27371232
ECLASS-15.0	27371232

ETIM

ETIM 10.0	EC001152
-----------	----------

UNSPSC

UNSPSC 21.0	46171600
-------------	----------

PSD-S AS CABLE GLAND M16X1,5 - Cable gland



2700145

<https://www.phoenixcontact.com/us/products/2700145>

Environmental product compliance

EU RoHS

Fulfills EU RoHS substance requirements	Yes
Exemption	6(c)

China RoHS

Environment friendly use period (EFUP)	EFUP-E
	No hazardous substances above the limits

EU REACH SVHC

REACH candidate substance (CAS No.)	Lead(CAS: 7439-92-1)
SCIP	d1a8f29a-988e-4f4b-9cef-dd18d7ffa3fc

EF3.1 Climate Change

CO2e kg	0.348 kg CO2e
---------	---------------

Phoenix Contact 2026 © - all rights reserved
<https://www.phoenixcontact.com>

Phoenix Contact USA
586 Fulling Mill Road
Middletown, PA 17057, United States
(+717) 944-1300
info@phoenixcon.com