

# PSD-S ME BR-SM - Mounting bracket



2700144

<https://www.phoenixcontact.com/us/products/2700144>

Please be informed that the data shown in this PDF document is generated from our online catalog. Please find the complete data in the user documentation. Our general terms of use for downloads are valid.

Angle for floor mounting, black



## Your advantages

- One-sided assembly for up to 5 signal elements
- Without concealed cable routing

## Commercial data

Item number	2700144
Packing unit	1 pc
Minimum order quantity	1 pc
Sales key	DR07
Product key	DRL117
GTIN	4046356491365
Weight per piece (including packing)	43.5 g
Weight per piece (excluding packing)	42.7 g
Customs tariff number	39269097
Country of origin	DE

# PSD-S ME BR-SM - Mounting bracket

2700144

<https://www.phoenixcontact.com/us/products/2700144>

## Technical data

### Notes

#### Note on application

Note on application	Only for industrial use
---------------------	-------------------------

### Product properties

Product type	Assembly element
Product family	PSD-S
Scope of supply	2 x plastic screw 1 x cable threaded joint 1 x nut
	2 x plastic screw 1 x cable threaded joint 1 x nut

### Dimensions

Dimensional drawing	
Width	76.5 mm
Height	57 mm
Diameter	55 mm

### Material specifications

Color	black (RAL 9005)
Material	PA A3 x 2G5

### Environmental and real-life conditions

#### Ambient conditions

Degree of protection	IP66
Ambient temperature (operation)	-30 °C ... 50 °C

### Mounting

Mounting type	Screw mounting (Seal enclosed)
Mounting position	any

# PSD-S ME BR-SM - Mounting bracket

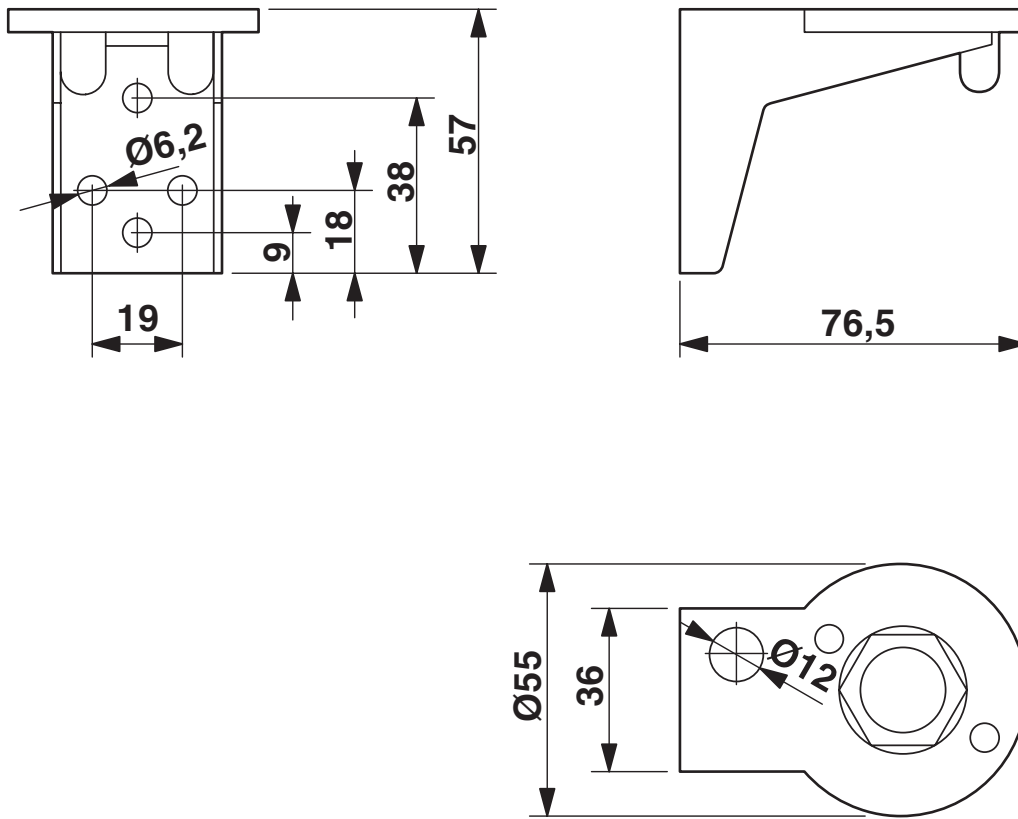


2700144

<https://www.phoenixcontact.com/us/products/2700144>

## Drawings

Dimensional drawing



# PSD-S ME BR-SM - Mounting bracket



2700144

<https://www.phoenixcontact.com/us/products/2700144>

## Classifications

### ECLASS

ECLASS-13.0	27371233
ECLASS-15.0	27371233

### ETIM

ETIM 10.0	EC001153
-----------	----------

### UNSPSC

UNSPSC 21.0	46171600
-------------	----------

# PSD-S ME BR-SM - Mounting bracket



2700144

<https://www.phoenixcontact.com/us/products/2700144>

## Environmental product compliance

### EU RoHS

Fulfills EU RoHS substance requirements	Yes, No exemptions
---	--------------------

### China RoHS

Environment friendly use period (EFUP)	EFUP-E
	No hazardous substances above the limits

### EU REACH SVHC

REACH candidate substance (CAS No.)	No substance above 0.1 wt%
-------------------------------------	----------------------------

### EF3.1 Climate Change

CO2e kg	1.074 kg CO2e
---------	---------------

Phoenix Contact 2026 © - all rights reserved  
<https://www.phoenixcontact.com>

Phoenix Contact USA  
586 Fulling Mill Road  
Middletown, PA 17057, United States  
(+717) 944-1300  
[info@phoenixcon.com](mailto:info@phoenixcon.com)