

PSD-S ME BR-BM - Mounting bracket

2700143

<https://www.phoenixcontact.com/us/products/2700143>

Please be informed that the data shown in this PDF document is generated from our online catalog. Please find the complete data in the user documentation. Our general terms of use for downloads are valid.

Angle for base mounting, black



Commercial data

Item number	2700143
Packing unit	1 pc
Minimum order quantity	1 pc
Sales key	DR07
Product key	DRL117
GTIN	4046356491358
Weight per piece (including packing)	56.7 g
Weight per piece (excluding packing)	56.7 g
Customs tariff number	39269097
Country of origin	DE

PSD-S ME BR-BM - Mounting bracket

2700143

<https://www.phoenixcontact.com/us/products/2700143>

Technical data

Notes

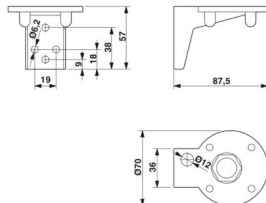
Note on application

Note on application	Only for industrial use
---------------------	-------------------------

Product properties

Product type	Assembly element
Product family	PSD-S
Scope of supply	4 x plastic screw 1 x cable threaded joint 1 x nut
	4 x plastic screw 1 x cable threaded joint 1 x nut

Dimensions

Dimensional drawing	
Width	87.5 mm
Height	57 mm
Diameter	70 mm

Material specifications

Color	black
Material	PA A3 x 2G5

Environmental and real-life conditions

Ambient conditions

Degree of protection	IP66
Ambient temperature (operation)	-30 °C ... 50 °C

Mounting

Mounting type	Screw mounting (Seal enclosed)
Mounting position	any

PSD-S ME BR-BM - Mounting bracket

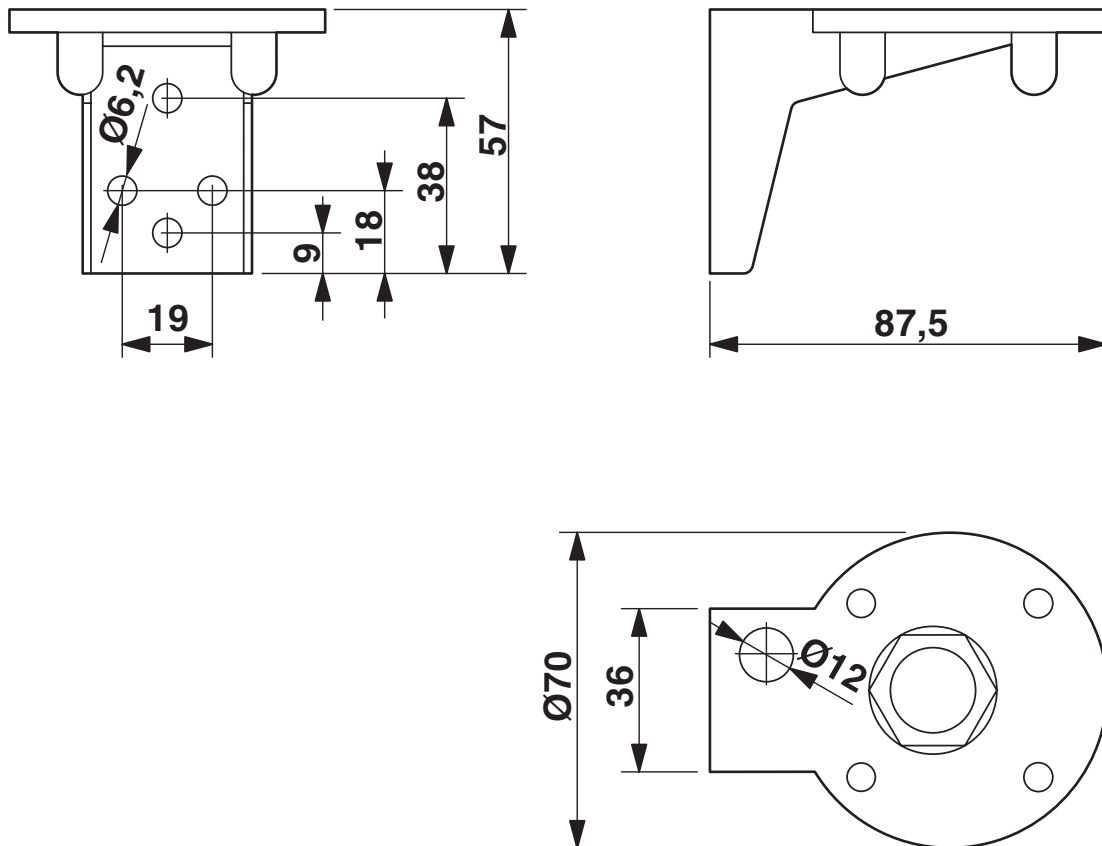


2700143

<https://www.phoenixcontact.com/us/products/2700143>

Drawings

Dimensional drawing



PSD-S ME BR-BM - Mounting bracket



2700143

<https://www.phoenixcontact.com/us/products/2700143>

Classifications

ECLASS

ECLASS-13.0	27371233
ECLASS-15.0	27371233

ETIM

ETIM 10.0	EC001153
-----------	----------

UNSPSC

UNSPSC 21.0	46171600
-------------	----------

PSD-S ME BR-BM - Mounting bracket



2700143

<https://www.phoenixcontact.com/us/products/2700143>

Environmental product compliance

EU RoHS

Fulfills EU RoHS substance requirements	Yes, No exemptions
---	--------------------

China RoHS

Environment friendly use period (EFUP)	EFUP-E
	No hazardous substances above the limits

EU REACH SVHC

REACH candidate substance (CAS No.)	No substance above 0.1 wt%
-------------------------------------	----------------------------

EF3.1 Climate Change

CO2e kg	0.874 kg CO2e
---------	---------------

Phoenix Contact 2026 © - all rights reserved
<https://www.phoenixcontact.com>

Phoenix Contact USA
586 Fulling Mill Road
Middletown, PA 17057, United States
(+717) 944-1300
info@phoenixcon.com