

PSD-S OE LED BL RD - Optical element



2700114

<https://www.phoenixcontact.com/us/products/2700114>

Please be informed that the data shown in this PDF document is generated from our online catalog. Please find the complete data in the user documentation. Our general terms of use for downloads are valid.

LED flashing light element, 24 V AC/DC, red



Product description

This optical signal element is designed to be part of a modular signal tower. According to your requirements, a signal tower can be combined as desired, from a maximum of five signal elements. Set up to a maximum of five optical signal elements or up to four optical and one audible signal element. Only use an audible signal element as the top element. A bayonet locking system establishes the mechanical and electrical connection between the elements. Connection elements with spring-cage or screw connection can be used for electrical connection of the signal tower. Various accessories are available to assemble the signal tower. Please note that PSD-S signal towers (70 mm diameter) are not mechanically compatible with PSD-S 50 signal towers (50 mm diameter).

Your advantages

- Tool-free element changeover
- High light and color intensity
- Can be freely combined
- Minimum LED service life of 50,000 h
- Low power consumption
- Degree of protection IP65

Commercial data

Item number	2700114
Packing unit	1 pc
Minimum order quantity	1 pc
Sales key	DR07
Product key	DRL112
GTIN	4046356491099
Weight per piece (including packing)	73.8 g
Weight per piece (excluding packing)	59 g
Customs tariff number	85318070
Country of origin	DE

PSD-S OE LED BL RD - Optical element



2700114

<https://www.phoenixcontact.com/us/products/2700114>

Technical data

Notes

Note on application

Note on application	Only for industrial use
---------------------	-------------------------

Product properties

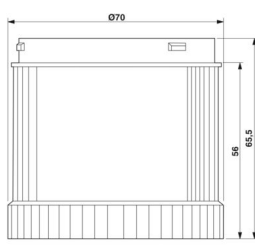
Product type	Signal element
Product family	PSD-S
Area of application	Signal tower

Electrical properties

General

Input voltage	24 V AC/DC
Maximum inrush current	max. 500 mA
Current consumption	typ. 25 mA
Source of light type	LED
Operating time	100 %
Service life electrical	max. 100,000 h
Optical signal type	Blinking light
Signal frequency	approx. 1 Hz

Dimensions

Dimensional drawing	
Height	65.5 mm
Diameter	70 mm

Material specifications

Calotte color	red
Color (Housing)	transparent red
Material	Polycarbonate PC

Environmental and real-life conditions

Ambient conditions

Degree of protection	IP65 (when installed or with end cover)
----------------------	---

PSD-S OE LED BL RD - Optical element



2700114

<https://www.phoenixcontact.com/us/products/2700114>

Ambient temperature (operation)	-20 °C ... 50 °C
---------------------------------	------------------

Mounting

Mounting type	Plug-in mounting (Seal pre-installed for each element)
Mounting position	any

Drawings

Dimensional drawing



PSD-S OE LED BL RD - Optical element



2700114

<https://www.phoenixcontact.com/us/products/2700114>

Approvals

To download certificates, visit the product detail page: <https://www.phoenixcontact.com/us/products/2700114>



cULus Listed

Approval ID: E123528

PSD-S OE LED BL RD - Optical element



2700114

<https://www.phoenixcontact.com/us/products/2700114>

Classifications

ECLASS

ECLASS-13.0	27371220
ECLASS-15.0	27371220

ETIM

ETIM 10.0	EC000232
-----------	----------

UNSPSC

UNSPSC 21.0	46171600
-------------	----------

PSD-S OE LED BL RD - Optical element



2700114

<https://www.phoenixcontact.com/us/products/2700114>

Environmental product compliance

EU RoHS

Fulfills EU RoHS substance requirements	Yes
Exemption	7(a), 7(c)-I

China RoHS

Environment friendly use period (EFUP)	EFUP-50
	An article-related China RoHS declaration table can be found in the download area for the respective article under "Manufacturer declaration". For all articles with EFUP-E, no China RoHS declaration table issued and required.

EU REACH SVHC

REACH candidate substance (CAS No.)	Lead(CAS: 7439-92-1)
SCIP	da90732d-f67f-4513-bf58-84033220d8f3

EF3.1 Climate Change

CO2e kg	3.641 kg CO2e
---------	---------------

Phoenix Contact 2026 © - all rights reserved
<https://www.phoenixcontact.com>

Phoenix Contact USA
586 Fulling Mill Road
Middletown, PA 17057, United States
(+717) 944-1300
info@phoenixcon.com