

PSD-S OE FL YE - Optical element



2700103

<https://www.phoenixcontact.com/us/products/2700103>

Please be informed that the data shown in this PDF document is generated from our online catalog. Please find the complete data in the user documentation. Our general terms of use for downloads are valid.

Flashing beacon element, 24 V DC, yellow, Xenon flash tube



Your advantages

- At least 4 million flashes
- Degree of protection IP65
- Tool-free element changeover
- Can be freely combined
- High light and color intensity

Commercial data

Item number	2700103
Packing unit	1 pc
Note	Made to order (non-returnable)
Sales key	DR07
Product key	DRL111
GTIN	4046356491051
Weight per piece (including packing)	87.8 g
Weight per piece (excluding packing)	76 g
Customs tariff number	85318095
Country of origin	DE

PSD-S OE FL YE - Optical element



2700103

<https://www.phoenixcontact.com/us/products/2700103>

Technical data

Product properties

Product type	Optical element
Area of application	Signal tower

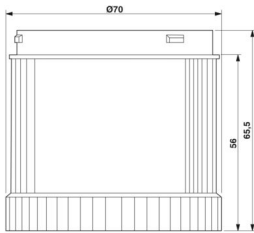
Electrical properties

Maximum power dissipation for nominal condition	4.8 W
---	-------

General

Input voltage	24 V DC
Maximum inrush current	max. 200 mA
Current consumption	125 mA
Source of light type	Xenon flash tube
Operating time	100 %
Service life electrical	4 million flashes, minimum
Optical signal type	Flashing light
Signal frequency	approx. 1 Hz

Dimensions

Dimensional drawing	
Height	65.5 mm
Diameter	70 mm

Material specifications

Calotte color	yellow
Material	Polycarbonate PC

Environmental and real-life conditions

Ambient conditions

Degree of protection	IP65 (when installed or with end cover)
Ambient temperature (operation)	-20 °C ... 50 °C

EMC data

Electromagnetic compatibility	Conformance with EMC Directive 2014/30/EU
-------------------------------	---

Mounting

PSD-S OE FL YE - Optical element



2700103

<https://www.phoenixcontact.com/us/products/2700103>

Assembly note	Rubber seal pre-installed for each element
Mounting position	any

PSD-S OE FL YE - Optical element

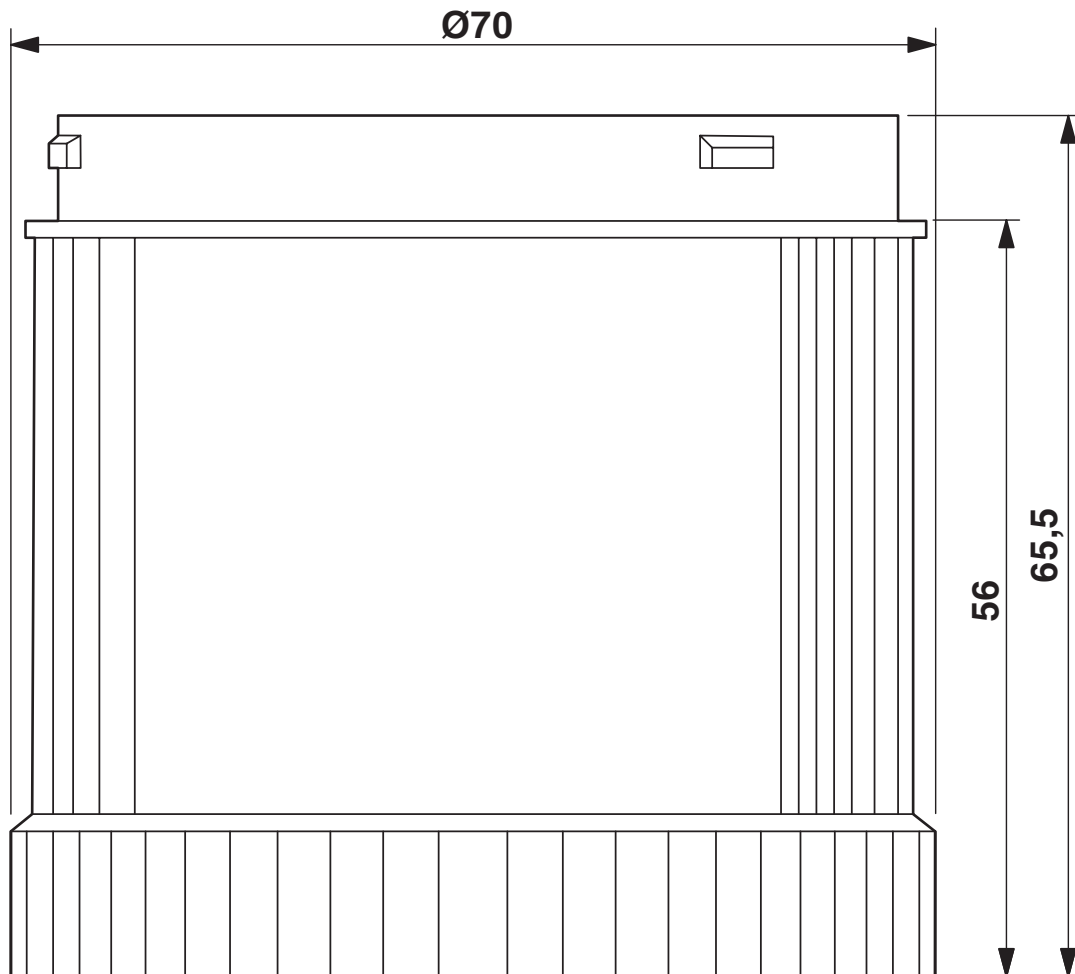


2700103

<https://www.phoenixcontact.com/us/products/2700103>

Drawings

Dimensional drawing



Phoenix Contact 2026 © - all rights reserved
<https://www.phoenixcontact.com>

Phoenix Contact USA
586 Fulling Mill Road
Middletown, PA 17057, United States
(+717) 944-1300
info@phoenixcon.com