

# PSD-S OE GN - Optical element



2700097

<https://www.phoenixcontact.com/us/products/2700097>

Please be informed that the data shown in this PDF document is generated from our online catalog. Please find the complete data in the user documentation. Our general terms of use for downloads are valid.

Permanent light element, 12 to 240 V AC/DC, green, without bulb



## Product description

This optical signal element is designed to be part of a modular signal tower. According to your requirements, a signal tower can be combined as desired, from a maximum of five signal elements. Only use an audible signal element as the top element. A bayonet locking system establishes the mechanical and electrical connection between the elements. Connection elements with spring-cage or screw connection can be used for electrical connection of the signal tower. Mounting elements for base or tube mounting can be used to mount the signal tower.

## Your advantages

- Degree of protection IP65
- Tool-free element changeover
- Tool-free lamp change
- Can be freely combined
- High light and color intensity

## Commercial data

Item number	2700097
Packing unit	1 pc
Note	Made to order (non-returnable)
Sales key	DR07
Product key	DRL111
GTIN	4046356490993
Weight per piece (including packing)	71.2 g
Weight per piece (excluding packing)	55 g
Customs tariff number	85318095
Country of origin	DE

# PSD-S OE GN - Optical element

2700097

<https://www.phoenixcontact.com/us/products/2700097>

## Technical data

### Product properties

Product type	Optical element
Area of application	Signal tower
Base	B15d (bayonet)

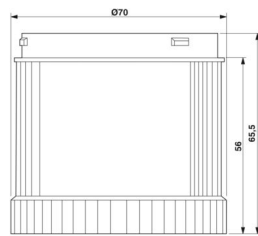
### Electrical properties

Maximum power dissipation for nominal condition	7 W
---	-----

#### General

Input voltage	240 V AC/DC
Nominal input voltage range	12 V AC/DC ... 240 V AC/DC
Maximum inrush current	Depends on lighting
Current consumption	Depends on lighting
Source of light type	Light bulb
Source of light, power	7 W
Operating time	100 %
Service life electrical	Depends on lamps
Optical signal type	Permanent light

### Dimensions

Dimensional drawing	
Height	65.5 mm
Diameter	70 mm

### Material specifications

Calotte color	green
Material	Polycarbonate PC

### Environmental and real-life conditions

#### Ambient conditions

Degree of protection	IP65 (when installed or with end cover)
Ambient temperature (operation)	-30 °C ... 60 °C

### EMC data

Electromagnetic compatibility	Conformance with EMC directive 2004/108/EC and for low-
-------------------------------	---

# PSD-S OE GN - Optical element



2700097

<https://www.phoenixcontact.com/us/products/2700097>

	voltage directive 2006/95/EC
--	------------------------------

## Mounting

Assembly note	Rubber seal pre-installed for each element
Mounting position	any

# PSD-S OE GN - Optical element

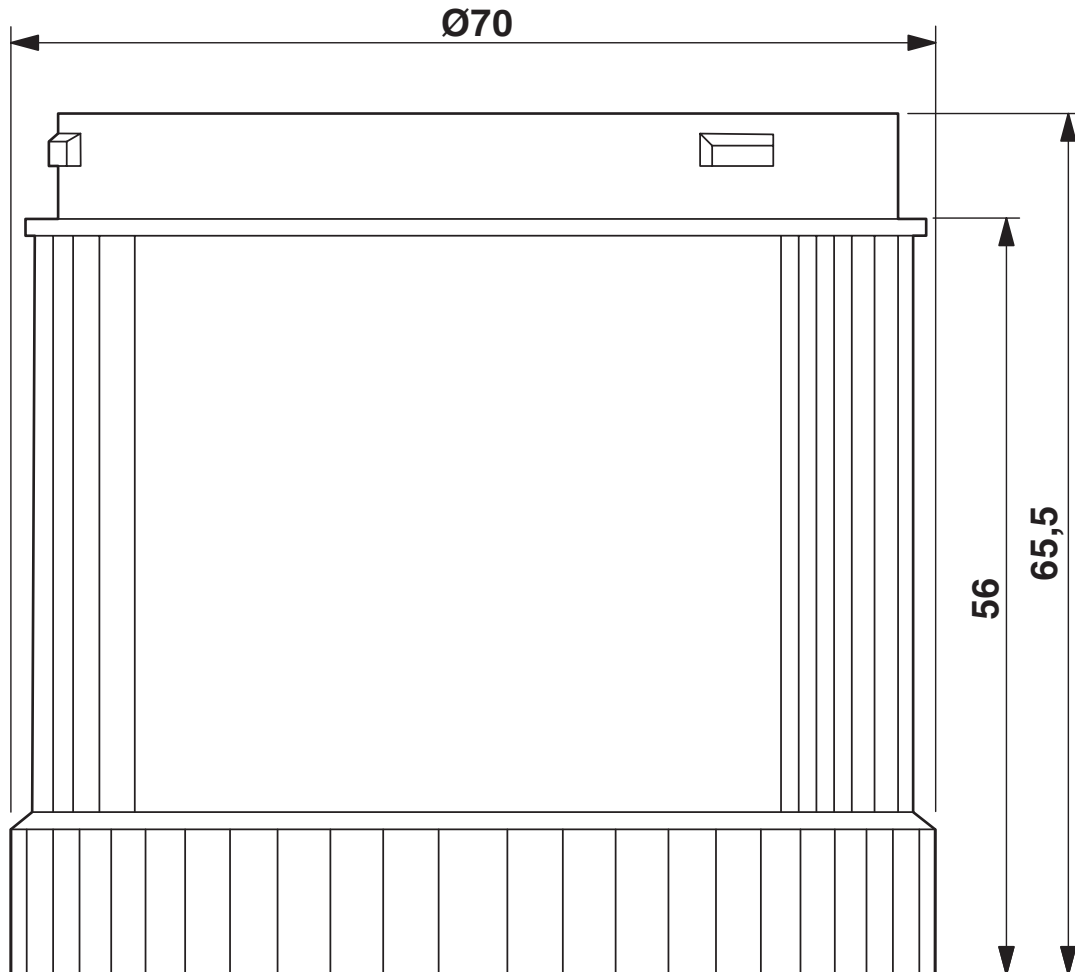


2700097

<https://www.phoenixcontact.com/us/products/2700097>

## Drawings

Dimensional drawing



Phoenix Contact 2026 © - all rights reserved  
<https://www.phoenixcontact.com>

Phoenix Contact USA  
586 Fulling Mill Road  
Middletown, PA 17057, United States  
(+717) 944-1300  
[info@phoenixcon.com](mailto:info@phoenixcon.com)