

PSD-S CE-TM SPRING - Connection element



2700092

<https://www.phoenixcontact.com/us/products/2700092>

Please be informed that the data shown in this PDF document is generated from our online catalog. Please find the complete data in the user documentation. Our general terms of use for downloads are valid.

Connection element with spring-cage terminal blocks for tube mounting



Product description

This connection element is intended to be part of a modular signal tower and is used to electrically connect the tower. According to your requirements, a signal tower may comprise any combination of up to five signal elements. You may use up to five optical signal elements or up to four optical and one audible signal element. Only use an audible signal element as the top element. A bayonet locking system establishes the mechanical and electrical connection between the elements. Mounting elements for base or tube mounting can be used to mount the signal tower. Please note that PSD-S signal towers (70 mm diameter) are not mechanically compatible with PSD-S 50 signal towers (50 mm diameter).

Your advantages

- Connection element for mounting on a pipe
- Spring-cage connection
- Degree of protection: IP65, when mounted

Commercial data

Item number	2700092
Packing unit	1 pc
Minimum order quantity	1 pc
Sales key	DR07
Product key	DRL116
GTIN	4046356490153
Weight per piece (including packing)	91.3 g
Weight per piece (excluding packing)	84.3 g
Customs tariff number	85319000
Country of origin	DE

PSD-S CE-TM SPRING - Connection element



2700092

<https://www.phoenixcontact.com/us/products/2700092>

Technical data

Notes

Note on application

Note on application	Only for industrial use
---------------------	-------------------------

Product properties

Product type	Assembly element
Product family	PSD-S
Scope of supply	End cover and seal End cover and seal
Number of mountable signal elements	max. 5

Connection data

without ferrule

Connection method	Spring-cage connection
Conductor cross-section, flexible	0.5 mm ² ... 1.5 mm ²
Conductor cross-section, flexible [AWG]	... 15
Stripping length	7 mm

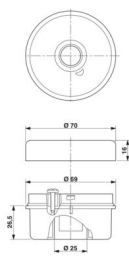
With ferrule

Connection method	Spring-cage connection
Conductor cross-section, flexible	0.25 mm ² ... 1.5 mm ²
Conductor cross-section, flexible [AWG]	... 15
Stripping length	7 mm

solid

Connection method	Spring-cage connection
Conductor cross-section, rigid	0.5 mm ² ... 1.5 mm ²
Stripping length	7 mm

Dimensions

Dimensional drawing	
Height	27 mm
Diameter	69 mm

PSD-S CE-TM SPRING - Connection element



2700092

<https://www.phoenixcontact.com/us/products/2700092>

Material specifications

Color	black
Material	PA-GF

Environmental and real-life conditions

Ambient conditions

Degree of protection	IP65, when installed
Ambient temperature (operation)	-30 °C ... 50 °C

Mounting

Mounting type	Tube mounting (Seal pre-installed for each element)
Mounting position	any

PSD-S CE-TM SPRING - Connection element

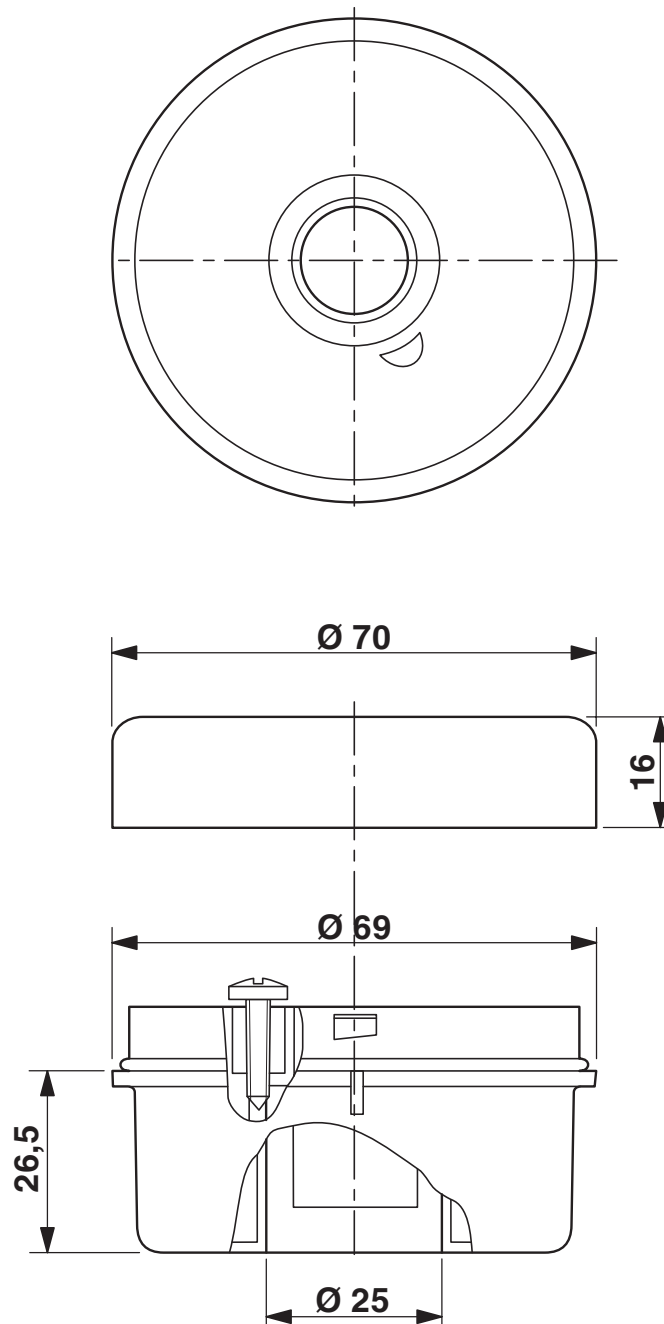
2700092

<https://www.phoenixcontact.com/us/products/2700092>



Drawings

Dimensional drawing



PSD-S CE-TM SPRING - Connection element



2700092

<https://www.phoenixcontact.com/us/products/2700092>

Approvals

To download certificates, visit the product detail page: <https://www.phoenixcontact.com/us/products/2700092>



cULus Listed

Approval ID: E123528

PSD-S CE-TM SPRING - Connection element



2700092

<https://www.phoenixcontact.com/us/products/2700092>

Classifications

ECLASS

ECLASS-13.0	27371232
ECLASS-15.0	27371232

ETIM

ETIM 10.0	EC001152
-----------	----------

UNSPSC

UNSPSC 21.0	46171600
-------------	----------

PSD-S CE-TM SPRING - Connection element



2700092

<https://www.phoenixcontact.com/us/products/2700092>

Environmental product compliance

EU RoHS

Fulfills EU RoHS substance requirements	Yes, No exemptions
---	--------------------

China RoHS

Environment friendly use period (EFUP)	EFUP-E
	No hazardous substances above the limits

EU REACH SVHC

REACH candidate substance (CAS No.)	No substance above 0.1 wt%
-------------------------------------	----------------------------

EF3.1 Climate Change

CO2e kg	1.407 kg CO2e
---------	---------------

Phoenix Contact 2026 © - all rights reserved
<https://www.phoenixcontact.com>

Phoenix Contact USA
586 Fulling Mill Road
Middletown, PA 17057, United States
(+717) 944-1300
info@phoenixcon.com