

IL MODULAR MUX SD - Multiplexer

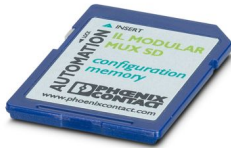


2700047

<https://www.phoenixcontact.com/us/products/2700047>

Please be informed that the data shown in this PDF document is generated from our online catalog. Please find the complete data in the user documentation. Our general terms of use for downloads are valid.

Two of these SD cards transform two ILC 170 ETH 2TX (and suitable IO modules) into a multiplexer system, without any need of a programming. Simple configuration using few wire bridges. Connection via radio, Ethernet cable or network.



Product description

In its basic functions, the IL MODULAR MUX SD aims at the those who want to use the advantages of a flexible multiplexer solution which does not entail programming of controllers. To facilitate this, the requisite minimum configuration is established via few wire bridges. Standard components (2 pcs. controller ILC 170-ETH-2TX) and the software (2 pcs. IL BT MODULAR MUX SD) supplied on a suitable SD card for the controller are used. In addition, the requisite input/output terminals. The communication between both the multiplexer components (ILC 170-ETH-2TX) then takes place automatically via an Ethernet cable or a transparent wireless transmission.

It is possible to integrate both the multiplexers in an Ethernet network. The Ethernet configuration required for this is established via the web interface of the ILC 170-ETH-2TX. This transpires by simply using a PC and a standard browser.

The following standard components are required:

- 2 pcs. ILC170 ETH 2TX, Order no. 2916532
- 2 pcs. IL MODULAR MUX SD CARD, Order No. 2700047

To connect both the systems

- 1 piece Ethernet cable (cable-based communication)
- or
- 1 piece FL BT EPA AIR SET, Order No. 2693091 (wireless communication)

Additionally provided are the requisite number of input and output terminals from Phoenix Contact's Inline modular program (marked with logo, see below).

The ILC 170 ETH 2TX can be connected to a multiplexer system also by means of all the wireless systems that can transmit TCT/IP data transparently.

For this purpose, the following Phoenix Contact wireless products are ideal:

- 1 piece FL BT EPA AIR SET, Order No. 2693091
- 2 pcs. FL BLUETOOTH AP, Order No. 2737999
- 2 pcs. FL WLAN EPA, Order No. 2692791
- As well as WLAN Ethernet components of the series FL WLAN 24 XX 802-11

Commercial data

Item number	2700047
Packing unit	1 pc
Note	Made to order (non-returnable)
Sales key	NULL
Product key	DRAAZA
GTIN	4046356466103

IL MODULAR MUX SD - Multiplexer



2700047

<https://www.phoenixcontact.com/us/products/2700047>

Weight per piece (including packing)	9.2 g
Weight per piece (excluding packing)	8.81 g
Customs tariff number	85235110
Country of origin	TW

IL MODULAR MUX SD - Multiplexer

2700047

<https://www.phoenixcontact.com/us/products/2700047>



Technical data

Product properties

Product type	Multiplexer
--------------	-------------

IL MODULAR MUX SD - Multiplexer

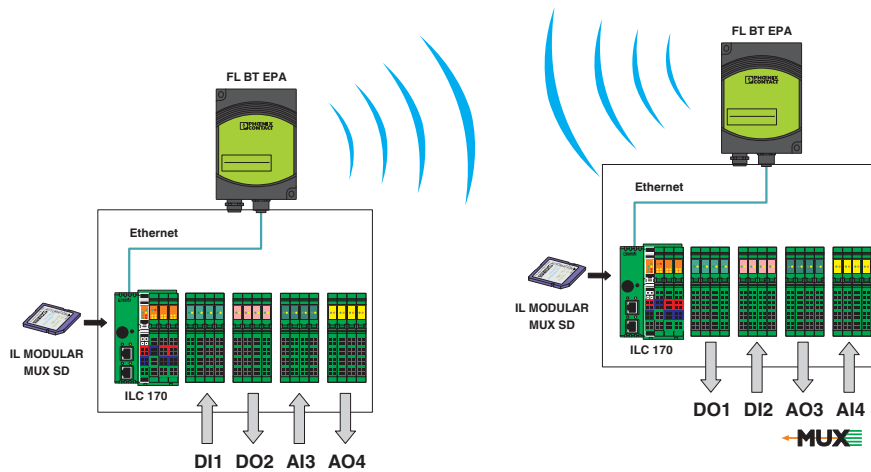
2700047

<https://www.phoenixcontact.com/us/products/2700047>



Drawings

Application drawing



The software IL MODULAR MUX SD on the CompactFlash® card creates a stranded field multiplexer using ILC 170 ETH 2TX and the input/output terminals that are required individually. As wireless or in an Ethernet network as point-to-point connection.

IL MODULAR MUX SD - Multiplexer



2700047

<https://www.phoenixcontact.com/us/products/2700047>

Environmental product compliance

China RoHS

Environment friendly use period (EFUP)	EFUP-50
	An article-related China RoHS declaration table can be found in the download area for the respective article under "Manufacturer declaration". For all articles with EFUP-E, no China RoHS declaration table issued and required.

EU REACH SVHC

REACH candidate substance (CAS No.)	No substance above 0.1 wt%
-------------------------------------	----------------------------

Phoenix Contact 2026 © - all rights reserved
<https://www.phoenixcontact.com>

Phoenix Contact USA
586 Fulling Mill Road
Middletown, PA 17057, United States
(+717) 944-1300
info@phoenixcon.com