

# ME MAX 45 MT 2-2 BK - Intermediate element



2695837

<https://www.phoenixcontact.com/us/products/2695837>

Please be informed that the data shown in this PDF document is generated from our online catalog. Please find the complete data in the user documentation. Our general terms of use for downloads are valid.



DIN rail housing, Intermediate element, tall design, with vents, width: 22.6 mm, height: 99 mm, depth: 112.85 mm, color: black (similar RAL 9005), cross connection: without bus connector

## Your advantages

- Easy installation
- Variety of connection technology
- Can be mounted on the DIN rail

## Commercial data

Item number	2695837
Packing unit	10 pc
Minimum order quantity	100 pc
Product key	ACHABZ
GTIN	4046356478311
Weight per piece (including packing)	26.66 g
Weight per piece (excluding packing)	26.85 g
Country of origin	DE

# ME MAX 45 MT 2-2 BK - Intermediate element

2695837

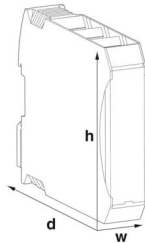
<https://www.phoenixcontact.com/us/products/2695837>

## Technical data

### Product properties

Product type	Complete housing center part
Housing type	DIN rail housing
Housing type	Modular housings
Housing series	ME-MAX
Product family	ME MAX 45..
Max. number of positions	20 (pitch: 3.5 mm) 16 (pitch: 5 mm)
Number of rows	2 2
Number (Connection openings)	4
Ventilation openings present	yes
Anzahl der Etagen Housing (Makro)	2 (Both sides)

### Dimensions

Dimensional drawing	
Width	22.6 mm
Height	99 mm
Depth	112.85 mm
Depth from top edge of DIN rail	107 mm

### Material specifications

Color (Intermediate element)	black (RAL 9005)
Material Intermediate element	PA
Flammability rating according to UL 94	V0
CTI according to IEC 60112	600

### Environmental and real-life conditions

#### Ambient conditions

Max. IP code to attain	IP20
Ambient temperature (operation)	-40 °C ... 105 °C (depending on power dissipation)
Ambient temperature (storage/transport)	-40 °C ... 55 °C
Ambient temperature (assembly)	-5 °C ... 100 °C
Relative humidity (storage/transport)	80 %

# ME MAX 45 MT 2-2 BK - Intermediate element



2695837

<https://www.phoenixcontact.com/us/products/2695837>

## PCB data

Type of PCB mount	Latching
-------------------	----------

## Mounting

Mounting type	Latching with housing half-shell or intermediate element
---------------	--

## Packaging specifications

Type of packaging	packed in cardboard
Outer packaging type	Carton

# ME MAX 45 MT 2-2 BK - Intermediate element

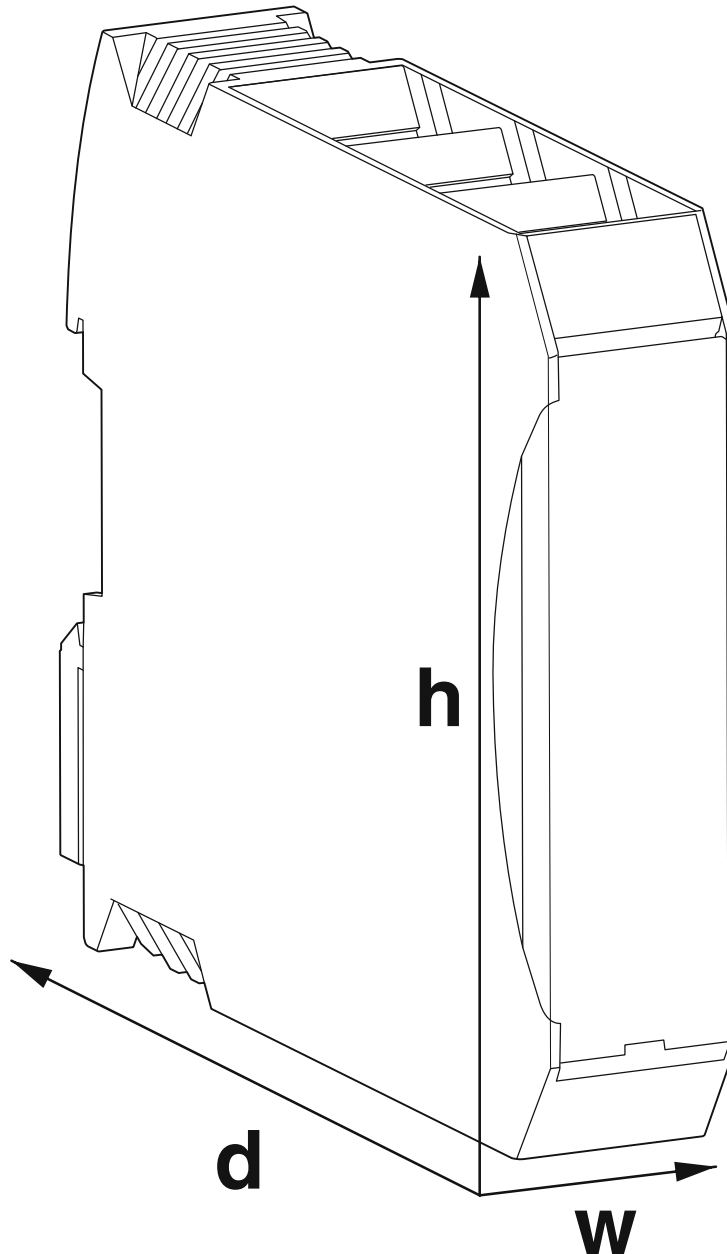
2695837

<https://www.phoenixcontact.com/us/products/2695837>



## Drawings

Dimensional drawing



Schematic figure for illustrating the item dimensions. The figure is not of the desired product. For further details, refer to the product drawings in the "Downloads" tab.

# ME MAX 45 MT 2-2 BK - Intermediate element



2695837

<https://www.phoenixcontact.com/us/products/2695837>

## Approvals

To download certificates, visit the product detail page: <https://www.phoenixcontact.com/us/products/2695837>



**UL Recognized**

Approval ID: E240868

2695837

<https://www.phoenixcontact.com/us/products/2695837>

## Classifications

### ECLASS

ECLASS-13.0	27190604
ECLASS-15.0	27190604

### ETIM

ETIM 10.0	EC002779
-----------	----------

### UNSPSC

UNSPSC 21.0	31261500
-------------	----------

# ME MAX 45 MT 2-2 BK - Intermediate element



2695837

<https://www.phoenixcontact.com/us/products/2695837>

## Environmental product compliance

### EU RoHS

Fulfills EU RoHS substance requirements	Yes, No exemptions
---	--------------------

### China RoHS

Environment friendly use period (EFUP)	EFUP-E
	No hazardous substances above the limits

### EU REACH SVHC

REACH candidate substance (CAS No.)	No substance above 0.1 wt%
-------------------------------------	----------------------------

### EF3.1 Climate Change

CO2e kg	0.138 kg CO2e
---------	---------------

Phoenix Contact 2026 © - all rights reserved  
<https://www.phoenixcontact.com>

Phoenix Contact USA  
586 Fulling Mill Road  
Middletown, PA 17057, United States  
(+717) 944-1300  
[info@phoenixcon.com](mailto:info@phoenixcon.com)