

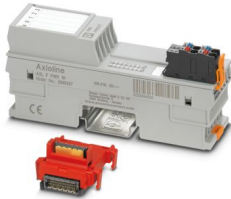
AXL F PWR 1H - Feed-in module



2688297

<https://www.phoenixcontact.com/us/products/2688297>

Please be informed that the data shown in this PDF document is generated from our online catalog. Please find the complete data in the user documentation. Our general terms of use for downloads are valid.



Axioline F, Power module for the logic supply U_{BUS} , max. 4 A, transmission speed in the local bus: 100 Mbps, degree of protection: IP20, including bus base module and Axioline F connector

Product description

The module is designed for use within an Axioline F station. If the maximum load of the bus coupler for the Axioline F local bus supply (communications power U_{BUS}) is reached, this module can be used to provide this voltage again. To this end, apply a 24 V DC voltage (U_L) to the module from which the U_{BUS} is generated.

Your advantages

- Supply of the 24 V voltage U_L for generating the communications power U_{BUS}

Commercial data

Item number	2688297
Packing unit	1 pc
Minimum order quantity	1 pc
Sales key	DR02
Product key	DRI223
GTIN	4046356566209
Weight per piece (including packing)	157.9 g
Weight per piece (excluding packing)	107 g
Customs tariff number	85389091
Country of origin	DE

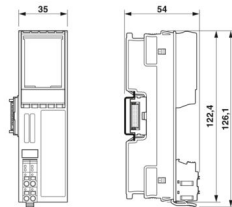
AXL F PWR 1H - Feed-in module

2688297

<https://www.phoenixcontact.com/us/products/2688297>

Technical data

Dimensions

Dimensional drawing	
Width	35 mm
Height	126.1 mm
Depth	54 mm
Note on dimensions	The depth applies when a TH 35-7.5 DIN rail is used (in accordance with EN 60715).

Notes

Note on application	
Note on application	Only for industrial use
Utilization restriction	
EMC note	EMC: class A product, see manufacturer's declaration in the download area

Material specifications

Color (Housing)	gray (RAL 7042)
-----------------	-----------------

Interfaces

Axioline F local bus	
Number of interfaces	2
Connection method	Bus base module
Transmission speed	100 Mbps

Product properties

Product type	I/O component
Product family	Axioline F
Type	block modular
Mounting position	any (no temperature derating)
Scope of supply	including bus base module and Axioline F connector
Special properties	max. 4 A

Insulation characteristics	
Overvoltage category	II (IEC 60664-1, EN 60664-1)
Pollution degree	2 (IEC 60664-1, EN 60664-1)

Electrical properties

Maximum power dissipation for nominal condition	2 W
---	-----

Potentials: Communications power U_L feed-in (the supply of the Axioline F local bus U_{Bus} is generated from U_L)

Supply voltage	24 V DC
Supply voltage range	19.2 V DC ... 30 V DC (including all tolerances, including ripple)
Current draw	max. 1.2 A ($I_{Bus} = 4$ A; $U_L = 19,2$ V)
Current consumption	0 A
Protective circuit	Surge protection; electronic (35 V, 0.5 s) Reverse polarity protection; parallel diode; with external 5 A fuse (only for commissioning)

Potentials: Axioline F local bus supply (U_{Bus})

Supply voltage	5 V DC (via bus base module)
Power supply unit	max. 4 A

Connection data

Connection technology

Connection name	Axioline F connector
Note on the connection method	Please observe the information provided on conductor cross-sections in the "Axioline F: system and installation" user manual.

Axioline F connector

Connection method	Push-in connection
Note on the connection method	Please observe the information provided on conductor cross-sections in the "Axioline F: system and installation" user manual.
Conductor cross-section, rigid	0.2 mm ² ... 1.5 mm ²
Conductor cross-section, flexible	0.2 mm ² ... 1.5 mm ²
Conductor cross-section AWG	24 ... 16
Stripping length	8 mm

Environmental and real-life conditions

Ambient conditions

Ambient temperature (operation)	-25 °C ... 60 °C
Degree of protection	IP20
Air pressure (operation)	70 kPa ... 106 kPa (up to 3000 m above sea level)
Air pressure (storage/transport)	70 kPa ... 106 kPa (up to 3000 m above sea level)
Ambient temperature (storage/transport)	-40 °C ... 85 °C
Permissible humidity (operation)	5 % ... 95 % (non-condensing)
Permissible humidity (storage/transport)	5 % ... 95 % (non-condensing)

Mechanical test

Vibration resistance in accordance with EN 60068-2-6/IEC 60068-2-6	5g
Shock in accordance with EN 60068-2-27/IEC 60068-2-27	30g

AXL F PWR 1H - Feed-in module



2688297

<https://www.phoenixcontact.com/us/products/2688297>

Continuous shock in accordance with EN 60068-2-27/IEC 60068-2-27	10g
--	-----

Standards and regulations

Protection class	III (IEC 61140, EN 61140, VDE 0140-1)
------------------	---------------------------------------

Mounting

Mounting type	DIN rail mounting
Mounting position	any (no temperature derating)

AXL F PWR 1H - Feed-in module

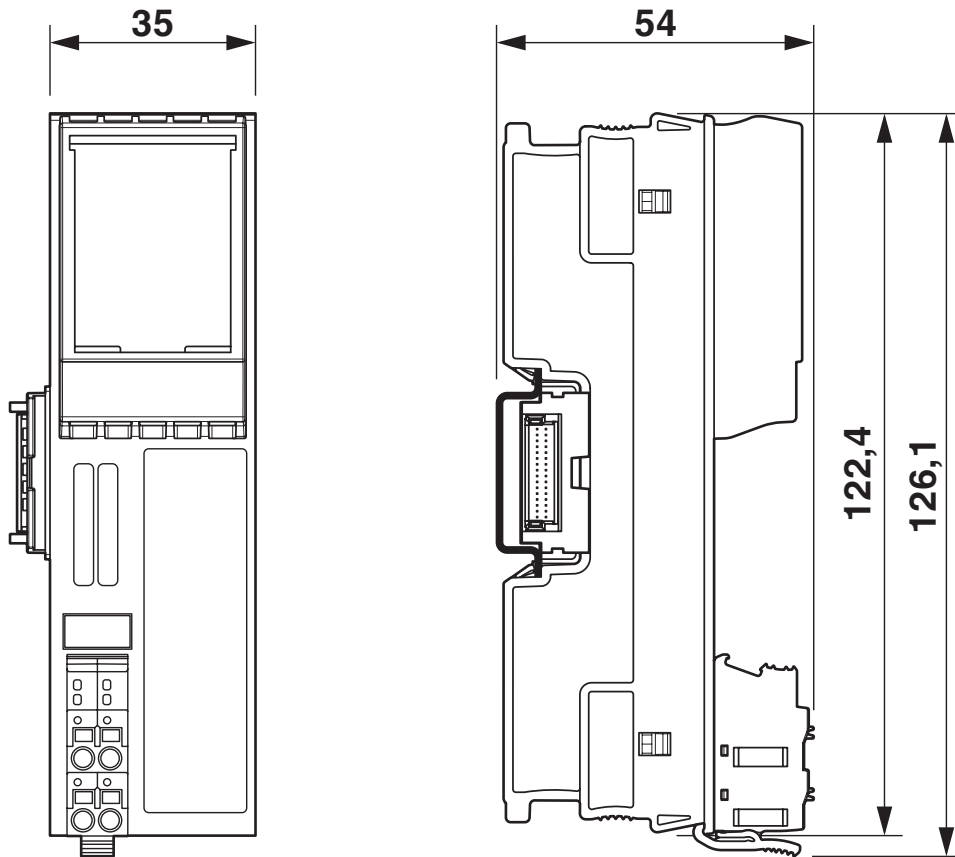
2688297

<https://www.phoenixcontact.com/us/products/2688297>



Drawings

Dimensional drawing



Dimensions

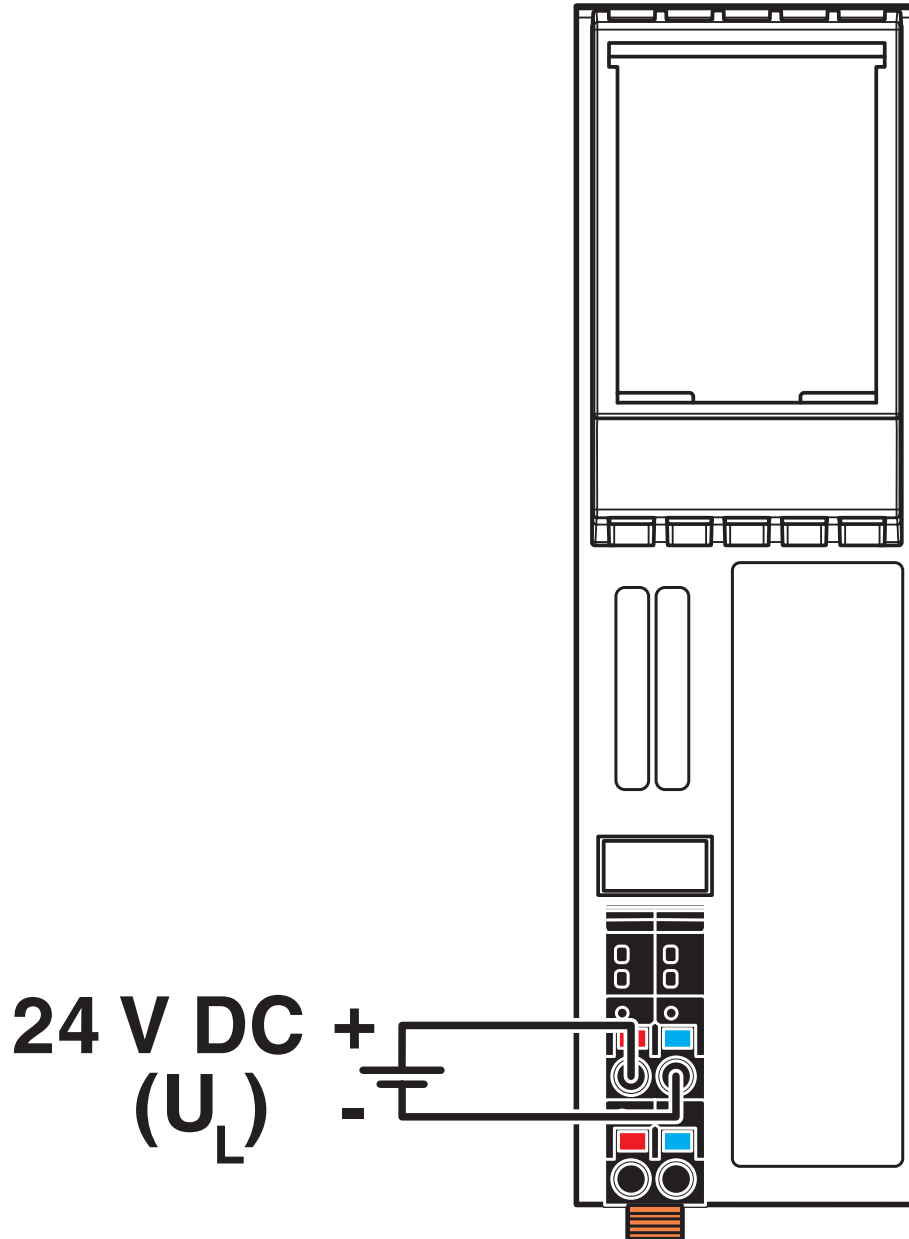
AXL F PWR 1H - Feed-in module

2688297

<https://www.phoenixcontact.com/us/products/2688297>



Connection diagram



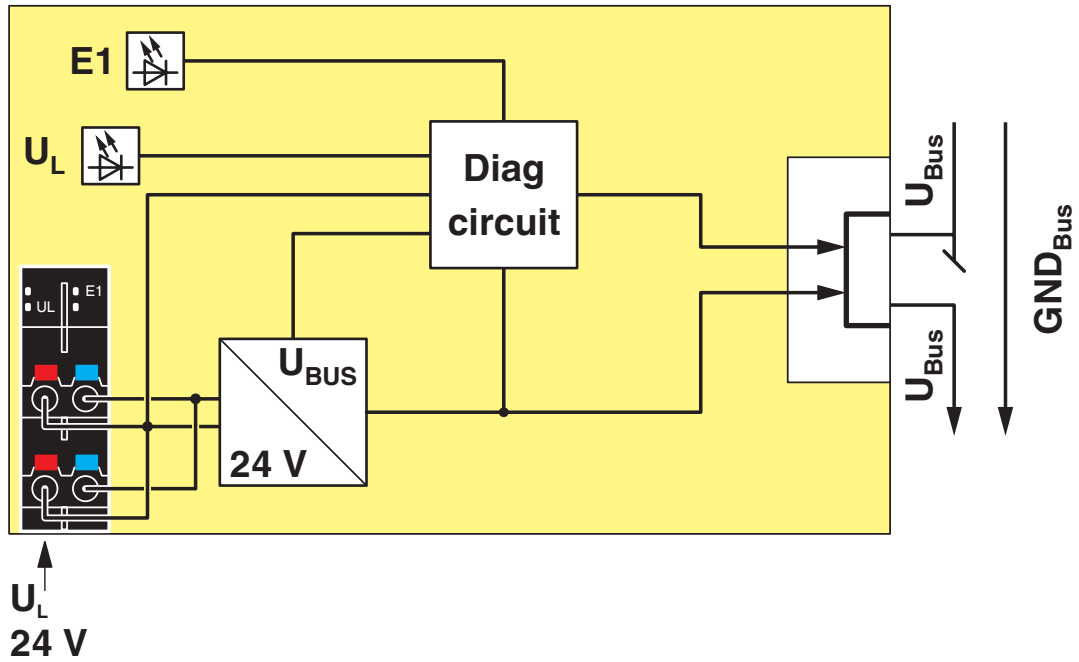
AXL F PWR 1H - Feed-in module

2688297

<https://www.phoenixcontact.com/us/products/2688297>



Block diagram



Basic circuit diagram

AXL F PWR 1H - Feed-in module



2688297

<https://www.phoenixcontact.com/us/products/2688297>

Approvals

To download certificates, visit the product detail page: <https://www.phoenixcontact.com/us/products/2688297>



DNV GL

Approval ID: TAA00000DF



LR

Approval ID: LR2480202TA-02



PRS

Approval ID: TE/1020/880590/21

BSH

Approval ID: 840



RINA

Approval ID: ELE008423XG001

ABS

Approval ID: 23-2449604-PDA



cULus Listed

Approval ID: E238705

AXL F PWR 1H - Feed-in module



2688297

<https://www.phoenixcontact.com/us/products/2688297>

Classifications

ECLASS

ECLASS-13.0	27242610
ECLASS-15.0	27242610

ETIM

ETIM 10.0	EC001600
-----------	----------

UNSPSC

UNSPSC 21.0	32151600
-------------	----------

AXL F PWR 1H - Feed-in module



2688297

<https://www.phoenixcontact.com/us/products/2688297>

Environmental product compliance

EU RoHS

Fulfills EU RoHS substance requirements	Yes
Exemption	7(a), 7(c)-I

China RoHS

Environment friendly use period (EFUP)	EFUP-E
	No hazardous substances above the limits

EU REACH SVHC

REACH candidate substance (CAS No.)	Lead(CAS: 7439-92-1)
	6,6'-di-tert-butyl-2,2'-methylenedi-p-cresol(CAS: 119-47-1)
SCIP	000ab22a-850f-400a-b969-1940d3bcb8d7

Phoenix Contact 2026 © - all rights reserved
<https://www.phoenixcontact.com>

Phoenix Contact USA
586 Fulling Mill Road
Middletown, PA 17057, United States
(+717) 944-1300
info@phoenixcon.com