

# AXL F CNT2 INC2 1F - Function module



2688093

<https://www.phoenixcontact.com/us/products/2688093>

Please be informed that the data shown in this PDF document is generated from our online catalog. Please find the complete data in the user documentation. Our general terms of use for downloads are valid.



Axioline F, Function module, Counter input, Incremental encoder; Counter inputs: 2; Incremental encoder input: 2, symmetrical encoders according to EIA-422 and asymmetrical encoders; Digital inputs: 8, 24 V DC; Digital outputs: 2, 24 V DC; transmission speed in the local bus: 100 Mbps; degree of protection: IP20; Scope of supply: including bus base module and Axioline F connectors

## Product description

The module is designed for use within an Axioline F station. On the one hand, it is used to acquire fast pulse sequences from sensors, and on the other hand to detect positions using incremental encoders. The module combines two counter inputs for the evaluation of fast counter pulses and two incremental encoder inputs for position detection.

## Your advantages

- 2 channels, selectable for each channel: counter function or position detection using incremental encoder
- Maximum input frequency: 300 kHz (one channel wired) or 100 kHz (both channels wired)
- 32-bit counter (up and down)
- Output control according to two limit values
- Counter: counting (source) is controlled via a control input (gate)
- Counter: single or periodic counting
- Incremental encoder acquisition: Acquisition of digital signals from symmetrical and asymmetrical incremental encoders
- Incremental encoder acquisition: evaluation of linear or rotary axes
- Device rating plate stored

## Commercial data

Item number	2688093
Packing unit	1 pc
Minimum order quantity	1 pc
Sales key	DR02
Product key	DRI263
GTIN	4046356501439
Weight per piece (including packing)	254 g
Weight per piece (excluding packing)	225 g
Customs tariff number	85389091
Country of origin	DE

# AXL F CNT2 INC2 1F - Function module

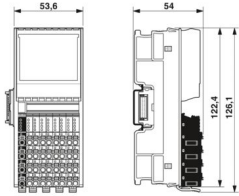


2688093

<https://www.phoenixcontact.com/us/products/2688093>

## Technical data

### Dimensions

Dimensional drawing	
Width	53.6 mm
Height	126.1 mm
Depth	54 mm
Note on dimensions	The depth applies when a TH 35-7.5 DIN rail is used (in accordance with EN 60715).

### Notes

Note on application	
Note on application	Only for industrial use

### Material specifications

Color (Housing)	gray (RAL 7042)
-----------------	-----------------

### Interfaces

Axioline F local bus	
Number of interfaces	2
Connection method	Bus base module
Transmission speed	100 Mbps

### System properties

Programming data (LocalbusSlave)	
Input address area	28 Byte
Output address area	28 Byte
Fieldbus data telegram (PROFIBUS)	
Required parameter data	115 Byte
Required configuration data	7 Byte

### Input data

Digital:	
Input name	Digital inputs
Description of the input	EN 61131-2, type 3
Number of inputs	8 (CNT: G1, G2, Dir1, Dir2; INC: Ref1, Ref2, L1, L2)

# AXL F CNT2 INC2 1F - Function module



2688093

<https://www.phoenixcontact.com/us/products/2688093>

Connection method	Push-in connection
Connection technology	1-conductor (optional 2, 3-conductor)
Input voltage range "0" signal	-3 V DC ... 5 V DC
Input voltage range "1" signal	11 V DC ... 30 V DC
Nominal input voltage $U_{IN}$	24 V DC
Nominal input current at $U_{IN}$	2.5 mA (per channel)

## Encoder

Number of inputs	2 (A1, /A1, B1, /B1, Z1, /Z1; A2, /A2, B2, /B2, Z2, /Z2)
Input name	Incremental encoder input
Encoder signals	symmetrical encoders according to EIA-422 and asymmetrical encoders
Cable length	max. 30 m

## Counter:

Input name	Counter inputs
Description of the input	EN 61131-2, type 3
Connection method	Push-in connection
Number of inputs	2 (S1, S2)
Input voltage	24 V DC
Input voltage range "0" signal	-3 V DC ... 5 V DC
Input voltage range "1" signal	11 V DC ... 30 V DC
Input frequency	max. 300 kHz (1 channel wired) max. 100 kHz (more than one channel wired or Z-signal monitoring via the firmware)
Input current	2.5 mA (per channel)
Resolution	32 bits
Permissible cable length	max. 30 m

## Output data

### Digital:

Output name	Digital outputs
Connection method	Push-in connection
Connection technology	1-conductor
Number of outputs	2 (Out1, Out2)
Protective circuit	Short-circuit protection Overload protection
Output voltage	24 V DC
Maximum output current per channel	500 mA
Nominal output voltage	24 V DC
Nominal load, inductive	max. 12 VA (1.2 H, 48 $\Omega$ , with nominal voltage)
Nominal load, lamp	max. 12 W (at nominal voltage)
Nominal load, ohmic	max. 12 W (48 $\Omega$ , with nominal voltage)

## Product properties

# AXL F CNT2 INC2 1F - Function module



2688093

<https://www.phoenixcontact.com/us/products/2688093>

Product type	I/O component
Product family	Axioline F
Type	block modular
Mounting position	any (no temperature derating)
Scope of supply	including bus base module and Axioline F connectors

## Insulation characteristics

Overvoltage category	II (IEC 60664-1, EN 60664-1)
Pollution degree	2 (IEC 60664-1, EN 60664-1)

## Electrical properties

Maximum power dissipation for nominal condition	2.55 W
---	--------

### Encoder

Number	2 ( $U_{E1}$ , $U_{E2}$ )
Nominal output voltage	5 V DC
Voltage range	5 V DC ... 5.5 V DC
Current carrying capacity	max. 250 mA
Protective circuit	Short-circuit protection; electronic
Number	2 ( $U_{S1}$ , $U_{S2}$ )
Nominal output voltage	24 V DC
Voltage range	19.2 V DC ... 30 V DC
Current carrying capacity	typ. 500 mA
Protective circuit	Short-circuit protection; electronic
Number	max. 2 (A, /A, B, /B, (Z, /Z))
Designation	Symmetrical incremental encoders
Type of connection of signals	Push-in connection
Encoder supply voltage	5 V DC 24 V DC
Signal voltage level	Differential signal (signal – inverted signal) $\pm 0.5$ V, minimum; $\pm 6$ V, maximum
Common mode voltage range signal - ground	-10 V ... 13.2 V
Input frequency	max. 300 kHz (1 channel wired) max. 100 kHz (more than one channel wired or Z-signal monitoring via the firmware)
Number	max. 2 (A, B, (Z))
Designation	Asymmetrical incremental encoder
Type of connection of signals	Push-in connection
Signal voltage level	Low $\leq 2.5$ V, high $\geq 3.5$ V (up to 27 V, maximum)
Input frequency	max. 300 kHz (1 channel wired) max. 100 kHz (more than one channel wired or Z-signal monitoring via the firmware)

### Potentials: Axioline F local bus supply ( $U_{BUS}$ )

Supply voltage	5 V DC (via bus base module)
Current draw	max. 120 mA

# AXL F CNT2 INC2 1F - Function module



2688093

<https://www.phoenixcontact.com/us/products/2688093>

	typ. 100 mA
Potentials: Feed-in of supply voltage ( $U_I$ )	
Supply voltage	24 V DC
Supply voltage range	19.2 V DC ... 30 V DC (including all tolerances, including ripple)
Current draw	max. 2.5 A (dependent on the encoder or sensor type used and the load on the digital output.)
Current consumption	typ. 50.5 mA (Own current consumption; without wiring of the terminal points)
Protective circuit	Surge protection; electronic (35 V, 0.5 s) Reverse polarity protection; parallel diode; with external 5 A fuse (only for commissioning)
Protection	max. 8 A (polarity reversal protection up to 5 A)
Electrical isolation/isolation of the voltage ranges	
Test voltage: 5 V supply of the local bus ( $U_{BUS}$ ) / 24 V supply (I/Os)	500 V AC, 50 Hz, 1 min
Test voltage: 5 V supply of the local bus ( $U_{BUS}$ ) / functional ground	500 V AC, 50 Hz, 1 min
Test voltage: 24 V supply (I/O) / functional ground	500 V AC, 50 Hz, 1 min

## Connection data

### Connection technology

Connection name	Axioline F connector
Note on the connection method	Please observe the information provided on conductor cross-sections in the "Axioline F: system and installation" user manual.

### Axioline F connector

Connection method	Push-in connection
Note on the connection method	Please observe the information provided on conductor cross-sections in the "Axioline F: system and installation" user manual.
Conductor cross-section, rigid	0.2 mm <sup>2</sup> ... 1.5 mm <sup>2</sup>
Conductor cross-section, flexible	0.2 mm <sup>2</sup> ... 1.5 mm <sup>2</sup>
Conductor cross-section AWG	24 ... 16
Stripping length	8 mm

## Environmental and real-life conditions

### Ambient conditions

Ambient temperature (operation)	-25 °C ... 60 °C
Degree of protection	IP20
Air pressure (operation)	70 kPa ... 106 kPa (up to 3000 m above sea level)
Air pressure (storage/transport)	70 kPa ... 106 kPa (up to 3000 m above sea level)
Ambient temperature (storage/transport)	-40 °C ... 85 °C
Permissible humidity (operation)	5 % ... 95 % (non-condensing)
Permissible humidity (storage/transport)	5 % ... 95 % (non-condensing)

### Mechanical test

# AXL F CNT2 INC2 1F - Function module



2688093

<https://www.phoenixcontact.com/us/products/2688093>

Vibration resistance in accordance with EN 60068-2-6/IEC 60068-2-6	5g
Shock in accordance with EN 60068-2-27/IEC 60068-2-27	30g
Continuous shock in accordance with EN 60068-2-27/IEC 60068-2-27	10g

## Standards and regulations

Protection class	III (IEC 61140, EN 61140, VDE 0140-1)
------------------	---------------------------------------

## Mounting

Mounting type	DIN rail mounting
Mounting position	any (no temperature derating)

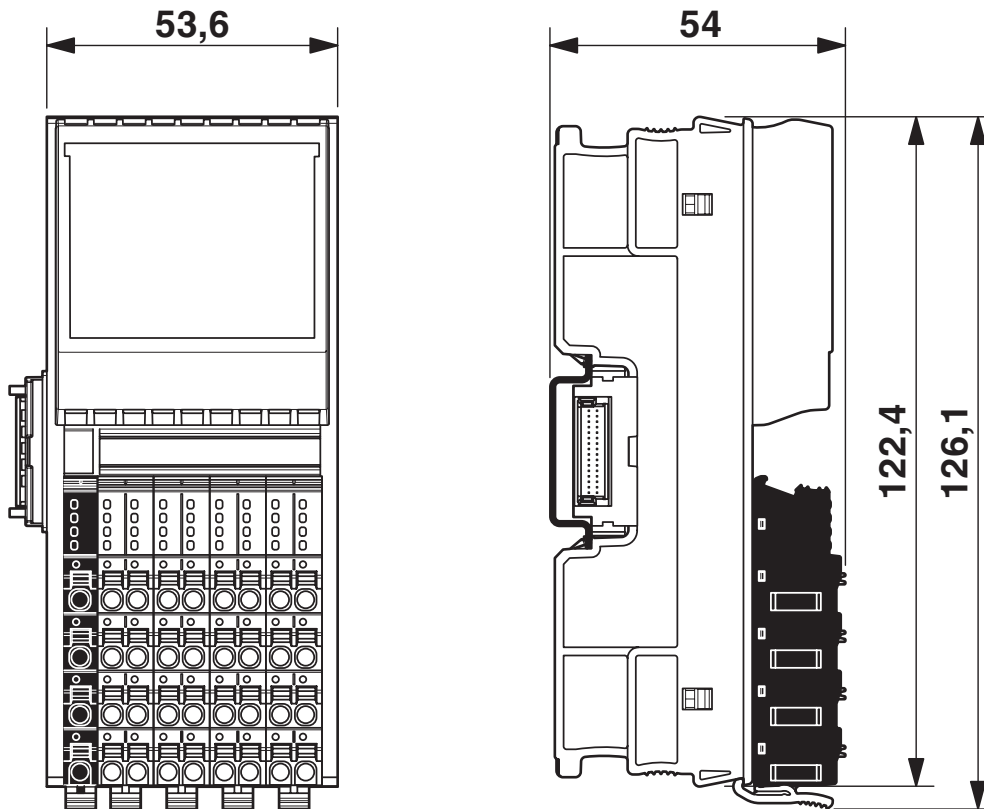
# AXL F CNT2 INC2 1F - Function module

2688093

<https://www.phoenixcontact.com/us/products/2688093>

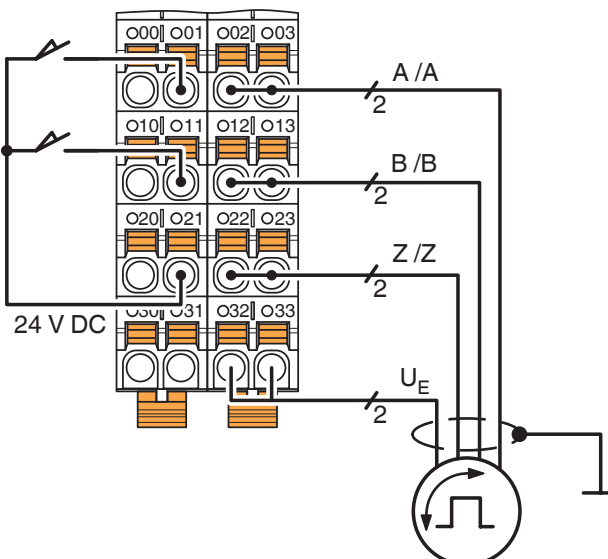
## Drawings

Dimensional drawing



Dimensional drawing

Connection diagram



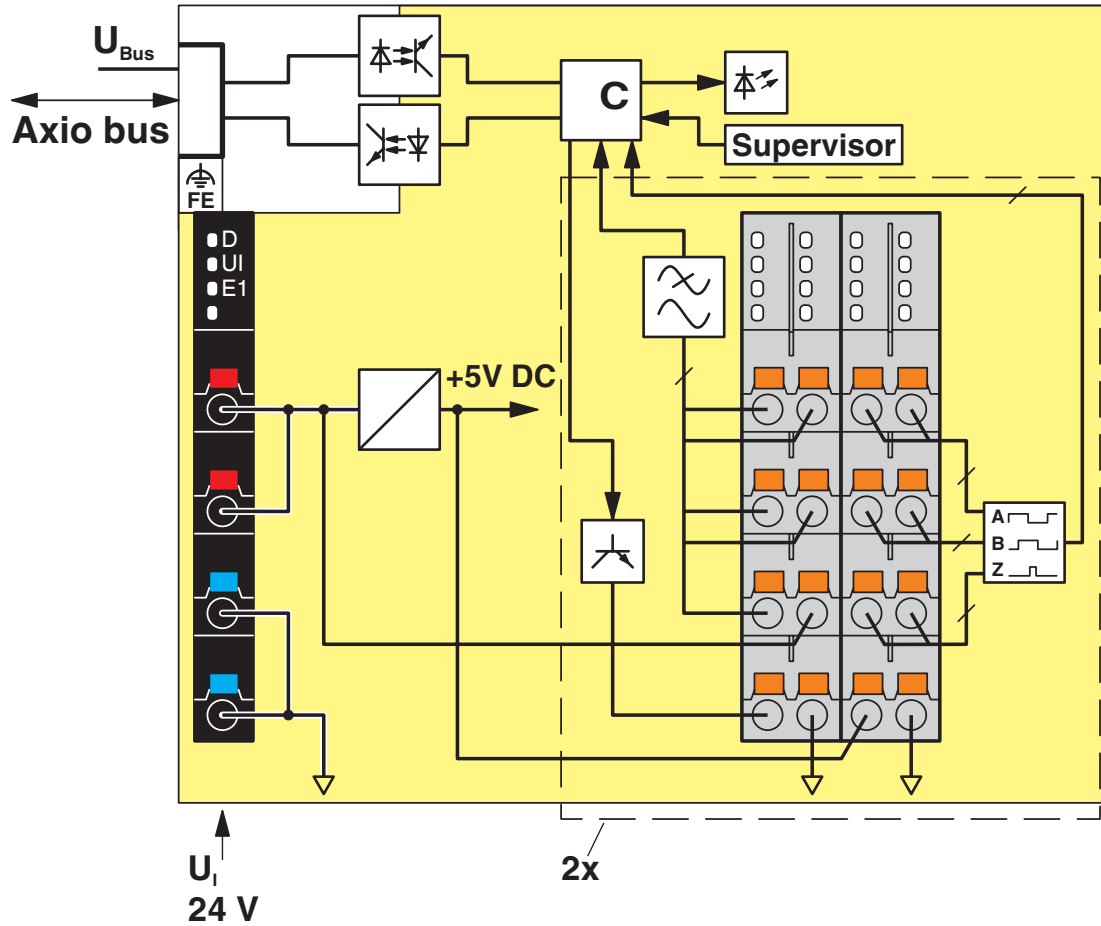
Quadrature encoder with 5 V supply

# AXL F CNT2 INC2 1F - Function module

2688093

<https://www.phoenixcontact.com/us/products/2688093>

Block diagram



Internal wiring of the terminal points

# AXL F CNT2 INC2 1F - Function module



2688093

<https://www.phoenixcontact.com/us/products/2688093>

## Approvals

To download certificates, visit the product detail page: <https://www.phoenixcontact.com/us/products/2688093>



**DNV GL**

Approval ID: TAA00000DF



**LR**

Approval ID: LR2480202TA-02



**PRS**

Approval ID: TE/1020/880590/21

**BSH**

Approval ID: 840



**RINA**

Approval ID: ELE008423XG001

**ABS**

Approval ID: 23-2449604-PDA



**cULus Listed**

Approval ID: E238705

**ABS**

Approval ID: 23-2449604-PDA

**BSH**

Approval ID: 840



**DNV GL**

Approval ID: TAA00000DF



**PRS**

Approval ID: TE/1020/880590/21

# AXL F CNT2 INC2 1F - Function module



2688093

<https://www.phoenixcontact.com/us/products/2688093>



**RINA**

Approval ID: ELE008423XG001



**LR**

Approval ID: LR2480202TA-02



**cULus Listed**

Approval ID: E238705

# AXL F CNT2 INC2 1F - Function module



2688093

<https://www.phoenixcontact.com/us/products/2688093>

## Classifications

### ECLASS

ECLASS-13.0	27242605
ECLASS-15.0	27242605

### ETIM

ETIM 10.0	EC001601
-----------	----------

### UNSPSC

UNSPSC 21.0	32151600
-------------	----------

2688093

<https://www.phoenixcontact.com/us/products/2688093>

## Environmental product compliance

### EU RoHS

Fulfills EU RoHS substance requirements	Yes
Exemption	7(a), 7(c)-I

### China RoHS

Environment friendly use period (EFUP)	EFUP-50
	An article-related China RoHS declaration table can be found in the download area for the respective article under "Manufacturer declaration". For all articles with EFUP-E, no China RoHS declaration table issued and required.

### EU REACH SVHC

REACH candidate substance (CAS No.)	Lead(CAS: 7439-92-1)
	6,6'-di-tert-butyl-2,2'-methylenedi-p-cresol(CAS: 119-47-1)
SCIP	42b9b1d9-e221-4efe-9727-024807329748

Phoenix Contact 2026 © - all rights reserved  
<https://www.phoenixcontact.com>

Phoenix Contact USA  
 586 Fulling Mill Road  
 Middletown, PA 17057, United States  
 (+717) 944-1300  
[info@phoenixcon.com](mailto:info@phoenixcon.com)