

AXL F AO8 1F - Analog module

2688080

<https://www.phoenixcontact.com/us/products/2688080>

Please be informed that the data shown in this PDF document is generated from our online catalog. Please find the complete data in the user documentation. Our general terms of use for downloads are valid.



Axioline F, Analog output module, Analog outputs: 8, 0 V ... 5 V, -5 V ... 5 V, 0 V ... 10 V, -10 V ... 10 V, 0 mA ... 20 mA, 4 mA ... 20 mA, -20 mA ... 20 mA, connection technology: 2-conductor, transmission speed in the local bus: 100 Mbps, degree of protection: IP20, including bus base module and Axioline F connectors

Product description

The module is designed for use within an Axioline F station. It is used to output analog voltage and current signals.

Your advantages

- 8 analog, bipolar output channels for the connection of either voltage or current signals
- Connection of actuators in 2-conductor technology
- Voltage ranges: 0 V ... 10 V, ± 10 V, 0 V ... 5 V, ± 5 V
- Current ranges: 0 mA ... 20 mA, 4 mA ... 20 mA, ± 20 mA
- Short-circuit-proof outputs
- Device rating plate stored
- Safe analog value processing with SAFE AI and other components

Commercial data

Item number	2688080
Packing unit	1 pc
Minimum order quantity	1 pc
Sales key	DR02
Product key	DRI242
GTIN	4046356501446
Weight per piece (including packing)	254 g
Weight per piece (excluding packing)	260 g
Customs tariff number	85389091
Country of origin	DE

AXL F AO8 1F - Analog module

2688080

<https://www.phoenixcontact.com/us/products/2688080>

Technical data

Dimensions

Dimensional drawing	
Width	53.6 mm
Height	126.1 mm
Depth	54 mm
Note on dimensions	The depth applies when a TH 35-7.5 DIN rail is used (in accordance with EN 60715).

Notes

Note on application

Note on application	Only for industrial use
---------------------	-------------------------

Material specifications

Color (Housing)	gray (RAL 7042)
-----------------	-----------------

Interfaces

Axioline F local bus

Number of interfaces	2
Connection method	Bus base module
Transmission speed	100 Mbps

System properties

Programming data (LocalbusSlave)

Input address area	16 Byte
Output address area	16 Byte

Fieldbus data telegram (PROFIBUS)

Required parameter data	26 Byte
Required configuration data	7 Byte

Output data

Analog:

Output name	Analog outputs
Connection method	Push-in connection
Connection technology	2-conductor

AXL F AO8 1F - Analog module



2688080

<https://www.phoenixcontact.com/us/products/2688080>

Note regarding the connection technology	shielded, twisted pair
Number of outputs	8
D/A conversion time	5 μ s
D/A converter resolution	16 bit
Protective circuit	Short-circuit and overload protection; electronic Transient protection; Suppressor diode
Data formats	IB IL, S7-compatible
Representation of output values	16 bits (15 bits + sign)
Process data update	300 μ s
Current output signal	0 mA ... 20 mA 4 mA ... 20 mA -20 mA ... 20 mA
Load/output load current output	to 500 Ω
Voltage output signal	0 V ... 5 V -5 V ... 5 V 0 V ... 10 V -10 V ... 10 V
Load/output load voltage output	> 2 k Ω
Permissible cable length	max. 250 m (Reference cable type LiYCY (TP) n*2*0.5 mm ²)

Product properties

Product type	I/O component
Product family	Axioline F
Type	block modular
Mounting position	any (observe temperature derating)
Scope of supply	including bus base module and Axioline F connectors

Insulation characteristics

Overvoltage category	II (IEC 60664-1, EN 60664-1)
Pollution degree	2 (IEC 60664-1, EN 60664-1)

Electrical properties

Maximum power dissipation for nominal condition	6.3 W
-------------------------------------------------	-------

Potentials: Axioline F local bus supply (U_{BUS})

Supply voltage	5 V DC (via bus base module)
Current draw	max. 130 mA (up to HW 04) max. 50 mA (from HW 05) typ. 105 mA (up to HW 04) typ. 40 mA (from HW 05)

Potentials: Supply for analog modules (U_A)

Supply voltage	24 V DC
Supply voltage range	19.2 V DC ... 30 V DC (including all tolerances, including ripple)
Current draw	max. 235 mA (8 current channels, 20 mA output)

AXL F AO8 1F - Analog module



2688080

<https://www.phoenixcontact.com/us/products/2688080>

	typ. 110 mA (8 voltage channels, 10 V output)
Current consumption	typ. 50 mA (internal current consumption, no load, 0 V output)
Protective circuit	Surge protection; electronic (35 V, 0.5 s)
	Reverse polarity protection; up to HW 03: polarity protection diode from HW 04: parallel diode; with external 5 A fuse (for startup only)
	Transient protection; Suppressor diode

Electrical isolation/isolation of the voltage ranges

Test voltage: 5 V supply of the local bus (U_{BUS}) / 24 V supply (I/Os)	500 V AC, 50 Hz, 1 min
Test voltage: 5 V supply of the local bus (U_{BUS})/analog outputs	500 V AC, 50 Hz, 1 min
Test voltage: 5 V supply of the local bus (U_{BUS}) / functional ground	500 V AC, 50 Hz, 1 min
Test voltage: 24 V supply (I/O)/analog outputs	500 V AC, 50 Hz, 1 min
Test voltage: 24 V supply (I/O) / functional ground	500 V AC, 50 Hz, 1 min
Test voltage: Analog outputs/functional ground	500 V AC, 50 Hz, 1 min

Connection data

Connection technology

Connection name	Axioline F connector
Note on the connection method	Please observe the information provided on conductor cross-sections in the "Axioline F: system and installation" user manual.

Axioline F connector

Connection method	Push-in connection
Note on the connection method	Please observe the information provided on conductor cross-sections in the "Axioline F: system and installation" user manual.
Conductor cross-section, rigid	0.2 mm ² ... 1.5 mm ²
Conductor cross-section, flexible	0.2 mm ² ... 1.5 mm ²
Conductor cross-section AWG	24 ... 16
Stripping length	8 mm

Environmental and real-life conditions

Ambient conditions

Ambient temperature (operation)	-25 °C ... 60 °C
Degree of protection	IP20
Air pressure (operation)	70 kPa ... 106 kPa (up to 3000 m above sea level)
Air pressure (storage/transport)	70 kPa ... 106 kPa (up to 3000 m above sea level)
Ambient temperature (storage/transport)	-40 °C ... 85 °C
Permissible humidity (operation)	5 % ... 95 % (non-condensing)
Permissible humidity (storage/transport)	5 % ... 95 % (non-condensing)

Mechanical test

Vibration resistance in accordance with EN 60068-2-6/IEC 60068-2-6	5g
Shock in accordance with EN 60068-2-27/IEC 60068-2-27	30g

AXL F AO8 1F - Analog module



2688080

<https://www.phoenixcontact.com/us/products/2688080>

Continuous shock in accordance with EN 60068-2-27/IEC 60068-2-27	10g
------------------------------------------------------------------	-----

Standards and regulations

Protection class	III (IEC 61140, EN 61140, VDE 0140-1)
------------------	---------------------------------------

Mounting

Mounting type	DIN rail mounting
Mounting position	any (observe temperature derating)

AXL F AO8 1F - Analog module

2688080

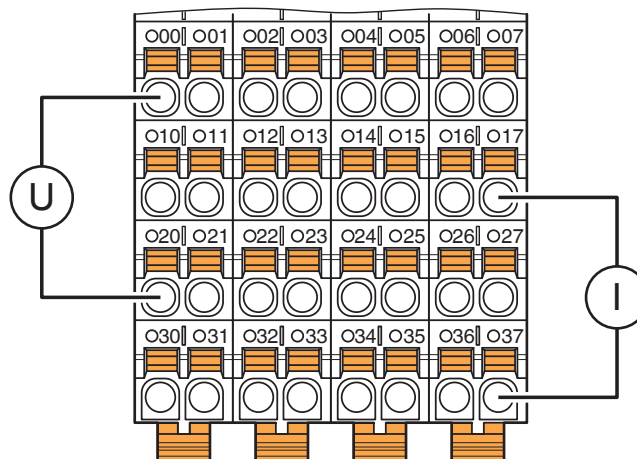
<https://www.phoenixcontact.com/us/products/2688080>

Drawings

Dimensional drawing



Connection diagram



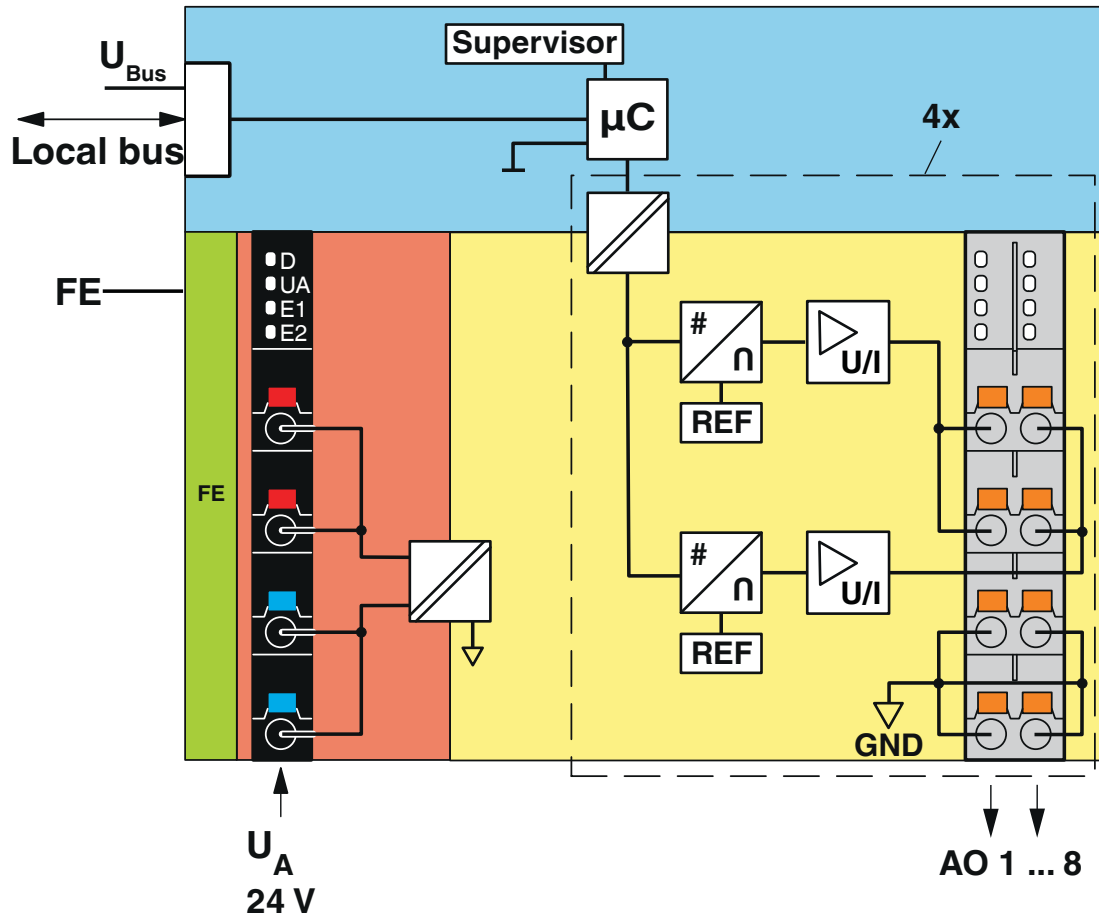
Connection for voltage and current output

AXL F AO8 1F - Analog module

2688080

<https://www.phoenixcontact.com/us/products/2688080>

Block diagram



Internal wiring of the terminal points

AXL F AO8 1F - Analog module



2688080

<https://www.phoenixcontact.com/us/products/2688080>

Approvals

To download certificates, visit the product detail page: <https://www.phoenixcontact.com/us/products/2688080>



DNV GL

Approval ID: TAA00000DF



LR

Approval ID: LR2480202TA-02



PRS

Approval ID: TE/1020/880590/21

BSH

Approval ID: 840



RINA

Approval ID: ELE008423XG001

ABS

Approval ID: 23-2449604-PDA



cULus Listed

Approval ID: E238705



Functional Safety

Approval ID: 968/EL 916.05/24

AXL F AO8 1F - Analog module



2688080

<https://www.phoenixcontact.com/us/products/2688080>

Classifications

ECLASS

ECLASS-13.0	27242601
ECLASS-15.0	27242601

ETIM

ETIM 10.0	EC001596
-----------	----------

UNSPSC

UNSPSC 21.0	32151600
-------------	----------

AXL F AO8 1F - Analog module



2688080

<https://www.phoenixcontact.com/us/products/2688080>

Environmental product compliance

EU RoHS

Fulfills EU RoHS substance requirements	Yes
Exemption	7(a), 7(c)-I

China RoHS

Environment friendly use period (EFUP)	EFUP-50
	An article-related China RoHS declaration table can be found in the download area for the respective article under "Manufacturer declaration". For all articles with EFUP-E, no China RoHS declaration table issued and required.

EU REACH SVHC

REACH candidate substance (CAS No.)	Lead(CAS: 7439-92-1)
	6,6'-di-tert-butyl-2,2'-methylenedi-p-cresol(CAS: 119-47-1)
SCIP	a10deb0f-9637-41f6-a3a3-7d4b3ad767dd

EF3.1 Climate Change

CO2e kg	11.48 kg CO2e
---------	---------------

Phoenix Contact 2026 © - all rights reserved
<https://www.phoenixcontact.com>

Phoenix Contact USA
586 Fulling Mill Road
Middletown, PA 17057, United States
(+717) 944-1300
info@phoenixcon.com