

AXL F DI16/4 2F - Digital module



2688022

<https://www.phoenixcontact.com/us/products/2688022>

Please be informed that the data shown in this PDF document is generated from our online catalog. Please find the complete data in the user documentation. Our general terms of use for downloads are valid.



Axioline F, Digital input module, Digital inputs: 16, 24 V DC, connection technology: 4-conductor, transmission speed in the local bus: 100 Mbps, degree of protection: IP20, including bus base module and Axioline F connectors

Product description

The module is designed for use within an Axioline F station. It is used to acquire digital signals. You can adjust the filter times of the inputs to increase noise immunity. Filter times of 100 μ s enable you to implement a counter function with a maximum input frequency of 5 kHz in the application.

Your advantages

- 16 digital inputs in accordance with EN 61131-2 type 1 and type 3
- 24 V DC, 2.4 mA
- Connection of sensors in 2-, 3-, and 4-conductor technology
- Filter times can be adjusted in two increments: < 100 μ s or 500 μ s
- Maximum input frequency: 5 kHz
- Maximum permissible load current per sensor: 2 A
- Maximum permissible load current of the module: 4 A (2 A for each group of a max. 8 sensors)
- Minimum update time of < 100 μ s
- Device rating plate stored

Commercial data

| | |
|--------------------------------------|---------------|
| Item number | 2688022 |
| Packing unit | 1 pc |
| Minimum order quantity | 1 pc |
| Sales key | DR02 |
| Product key | DRI231 |
| GTIN | 4046356501606 |
| Weight per piece (including packing) | 286.8 g |
| Weight per piece (excluding packing) | 231 g |
| Customs tariff number | 85389091 |
| Country of origin | DE |

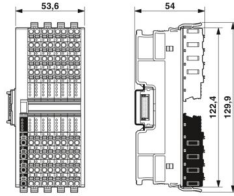
AXL F DI16/4 2F - Digital module

2688022

<https://www.phoenixcontact.com/us/products/2688022>

Technical data

Dimensions

| | |
|---------------------|--|
| Dimensional drawing |  |
| Width | 53.6 mm |
| Height | 129.9 mm |
| Depth | 54 mm |
| Note on dimensions | The depth applies when a TH 35-7.5 DIN rail is used (in accordance with EN 60715). |

Notes

Note on application

| | |
|---------------------|-------------------------|
| Note on application | Only for industrial use |
|---------------------|-------------------------|

Material specifications

| | |
|-----------------|-----------------|
| Color (Housing) | gray (RAL 7042) |
|-----------------|-----------------|

Interfaces

Axioline F local bus

| | |
|----------------------|-----------------|
| Number of interfaces | 2 |
| Connection method | Bus base module |
| Transmission speed | 100 Mbps |

System properties

Programming data (LocalbusSlave)

| | |
|---------------------|--------|
| Input address area | 2 Byte |
| Output address area | 0 Byte |

Fieldbus data telegram (PROFIBUS)

| | |
|-----------------------------|--------|
| Required parameter data | 3 Byte |
| Required configuration data | 6 Byte |

Input data

Digital:

| | |
|--------------------------|--------------------------|
| Input name | Digital inputs |
| Description of the input | EN 61131-2 types 1 and 3 |
| Number of inputs | 16 |

AXL F DI16/4 2F - Digital module



2688022

<https://www.phoenixcontact.com/us/products/2688022>

| | |
|-----------------------------------|---|
| Connection method | Push-in connection |
| Connection technology | 4-conductor |
| Input voltage range "0" signal | -3 V DC ... 5 V DC |
| Input voltage range "1" signal | 11 V DC ... 30 V DC |
| Nominal input voltage U_{IN} | 24 V DC |
| Nominal input current at U_{IN} | 2.4 mA |
| Current flow | linear until nominal current is reached, then constantly approx. 2.4 mA |
| Input filter time | 500 μ s (Default) |
| | < 100 μ s |
| Process data update | < 100 μ s |
| Protective circuit | Polarity reversal protection of the inputs; electronic |

Product properties

| | |
|-------------------|---|
| Product type | I/O component |
| Product family | Axioline F |
| Type | block modular |
| Mounting position | any (no temperature derating) |
| Scope of supply | including bus base module and Axioline F connectors |

Insulation characteristics

| | |
|----------------------|------------------------------|
| Overvoltage category | II (IEC 60664-1, EN 60664-1) |
| Pollution degree | 2 (IEC 60664-1, EN 60664-1) |

Electrical properties

| | |
|---|-------|
| Maximum power dissipation for nominal condition | 2.3 W |
|---|-------|

Potentials: Axioline F local bus supply (U_{BUS})

| | |
|----------------|------------------------------|
| Supply voltage | 5 V DC (via bus base module) |
| Current draw | max. 120 mA (up to HW 04) |
| | max. 60 mA (from HW 05) |

Potentials: Supply for digital input modules (U_I)

| | |
|----------------------|--|
| Supply voltage | 24 V DC |
| Supply voltage range | 19.2 V DC ... 30 V DC (including all tolerances, including ripple) |
| Current draw | max. 4 A (Sensor supply U_S) |
| Current consumption | typ. 25 mA (without sensors) |
| Protective circuit | Surge protection; electronic (35 V, 0.5 s) |
| | Reverse polarity protection; parallel diode; with external 5 A fuse (only for commissioning) |
| Protection | max. 8 A (polarity reversal protection up to 5 A) |

Supply: Sensor supply (U_S)

| | |
|----------------|-------------------------|
| Designation | Sensor supply (U_S) |
| Supply voltage | 24 V DC (from U_I) |

Electrical isolation/isolation of the voltage ranges

AXL F DI16/4 2F - Digital module



2688022

<https://www.phoenixcontact.com/us/products/2688022>

| | |
|--|------------------------|
| Test voltage: 5 V supply of the local bus (U_{BUS}) / 24 V supply (I/Os) | 500 V AC, 50 Hz, 1 min |
| Test voltage: 5 V supply of the local bus (U_{BUS}) / functional ground | 500 V AC, 50 Hz, 1 min |
| Test voltage: 24 V supply (I/O) / functional ground | 500 V AC, 50 Hz, 1 min |

Connection data

Connection technology

| | |
|-------------------------------|---|
| Connection name | Axioline F connector |
| Note on the connection method | Please observe the information provided on conductor cross-sections in the "Axioline F: system and installation" user manual. |

Axioline F connector

| | |
|-----------------------------------|---|
| Connection method | Push-in connection |
| Note on the connection method | Please observe the information provided on conductor cross-sections in the "Axioline F: system and installation" user manual. |
| Conductor cross-section, rigid | 0.2 mm ² ... 1.5 mm ² |
| Conductor cross-section, flexible | 0.2 mm ² ... 1.5 mm ² |
| Conductor cross-section AWG | 24 ... 16 |
| Stripping length | 8 mm |

Environmental and real-life conditions

Ambient conditions

| | |
|--|---|
| Ambient temperature (operation) | -25 °C ... 60 °C |
| Degree of protection | IP20 |
| Air pressure (operation) | 70 kPa ... 106 kPa (up to 3000 m above sea level) |
| Air pressure (storage/transport) | 70 kPa ... 106 kPa (up to 3000 m above sea level) |
| Ambient temperature (storage/transport) | -40 °C ... 85 °C |
| Permissible humidity (operation) | 5 % ... 95 % (non-condensing) |
| Permissible humidity (storage/transport) | 5 % ... 95 % (non-condensing) |

Mechanical test

| | |
|--|-----|
| Vibration resistance in accordance with EN 60068-2-6/IEC 60068-2-6 | 5g |
| Shock in accordance with EN 60068-2-27/IEC 60068-2-27 | 30g |
| Continuous shock in accordance with EN 60068-2-27/IEC 60068-2-27 | 10g |

Standards and regulations

| | |
|------------------|---------------------------------------|
| Protection class | III (IEC 61140, EN 61140, VDE 0140-1) |
|------------------|---------------------------------------|

Mounting

| | |
|-------------------|-------------------------------|
| Mounting type | DIN rail mounting |
| Mounting position | any (no temperature derating) |

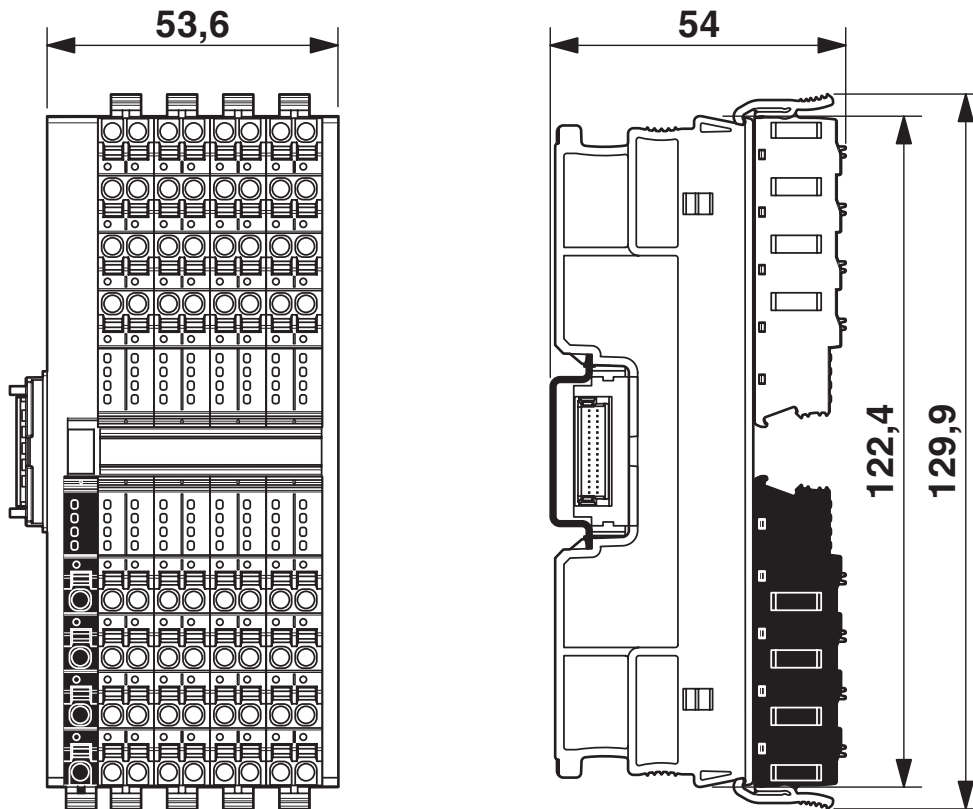
AXL F DI16/4 2F - Digital module

2688022

<https://www.phoenixcontact.com/us/products/2688022>

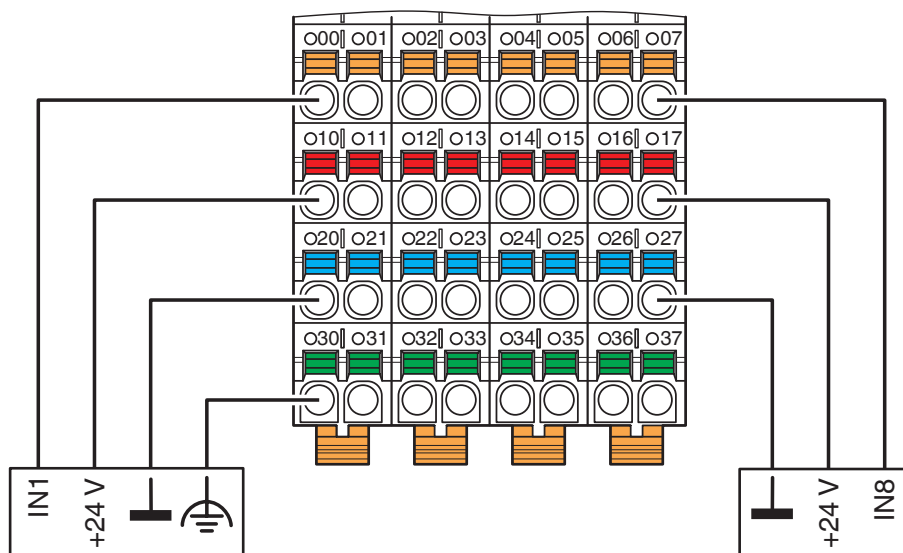
Drawings

Dimensional drawing



Dimensions

Connection diagram



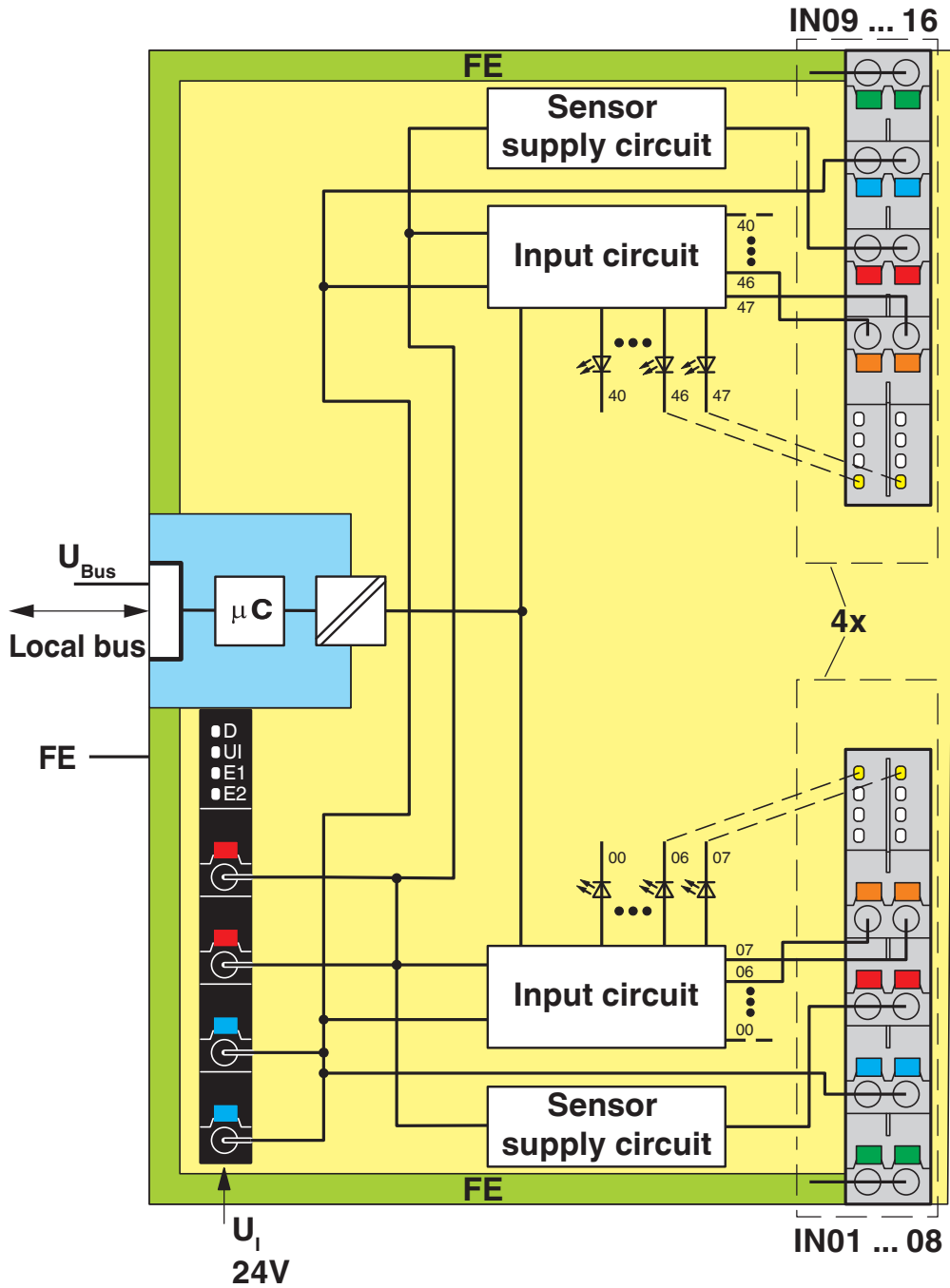
Connection example

AXL F DI16/4 2F - Digital module

2688022

<https://www.phoenixcontact.com/us/products/2688022>

Block diagram



Internal wiring of the terminal points

AXL F DI16/4 2F - Digital module



2688022

<https://www.phoenixcontact.com/us/products/2688022>

Approvals

To download certificates, visit the product detail page: <https://www.phoenixcontact.com/us/products/2688022>



DNV GL

Approval ID: TAA00000DF



LR

Approval ID: LR2480202TA-02



PRS

Approval ID: TE/1020/880590/21

BSH

Approval ID: 840



RINA

Approval ID: ELE008423XG001



cULus Listed

Approval ID: E238705



cULus Listed

Approval ID: E238705

AXL F DI16/4 2F - Digital module



2688022

<https://www.phoenixcontact.com/us/products/2688022>

Classifications

ECLASS

| | |
|-------------|----------|
| ECLASS-13.0 | 27242604 |
| ECLASS-15.0 | 27242604 |

ETIM

| | |
|-----------|----------|
| ETIM 10.0 | EC001599 |
|-----------|----------|

UNSPSC

| | |
|-------------|----------|
| UNSPSC 21.0 | 32151600 |
|-------------|----------|

2688022

<https://www.phoenixcontact.com/us/products/2688022>

Environmental product compliance

EU RoHS

| | |
|---|--------------|
| Fulfills EU RoHS substance requirements | Yes |
| Exemption | 7(a), 7(c)-I |

China RoHS

| | |
|--|---|
| Environment friendly use period (EFUP) | EFUP-50 |
| | An article-related China RoHS declaration table can be found in the download area for the respective article under "Manufacturer declaration". For all articles with EFUP-E, no China RoHS declaration table issued and required. |

EU REACH SVHC

| | |
|-------------------------------------|---|
| REACH candidate substance (CAS No.) | Lead(CAS: 7439-92-1) |
| | 6,6'-di-tert-butyl-2,2'-methylenedi-p-cresol(CAS: 119-47-1) |
| SCIP | 265d6a5b-2dc9-4af5-a8e9-7958ac2ce830 |

Phoenix Contact 2026 © - all rights reserved
<https://www.phoenixcontact.com>

Phoenix Contact USA
 586 Fulling Mill Road
 Middletown, PA 17057, United States
 (+717) 944-1300
info@phoenixcon.com