

SOL-SC-2ST-0-DC-1MPPT-1101 - String combiner box (SCB)



2404297

<https://www.phoenixcontact.com/us/products/2404297>

Please be informed that the data shown in this PDF document is generated from our online catalog. Please find the complete data in the user documentation. Our general terms of use for downloads are valid.



String combiner box (SCB); MPP voltage: 1000 V DC; number of strings: 2; number of supported MPP trackers: 1; surge protection: T1 / T2; equipment: DC switch disconnecter; type of cable entry: SUNCLIX; scope of supply: DC connector for connecting the SCB

Product description

The Solarline string combiner boxes (SCBs) are used in both small rooftop systems and large ground-mounted systems. The main tasks of the SCBs are the surge protection of the photovoltaic system, collecting strings (if necessary), and looping through the protective equipotential bonding conductor for the local equipotential bonding.

Further functions are optional and depend on the equipment.

Examples of optional functions include protecting the strings with string fuses and disconnecting the strings via DC switch disconnectors or DC fire department switches.

You can determine the full scope of functions of the SCB from its item designation (see the application note for the type key of the SCB, which can be downloaded in the "Downloads" area).

Your advantages

- Fast installation and startup
- Standard-compliant switchgear and controlgear assembly, thanks to use of DIN EN 61439
- Application-oriented consultation
- Large portfolio of string combiner boxes in stock

Commercial data

Item number	2404297
Packing unit	1 pc
Minimum order quantity	1 pc
Product key	DTHTBA
GTIN	4055626396224
Weight per piece (including packing)	2,513 g
Weight per piece (excluding packing)	2,163 g
Country of origin	DE

SOL-SC-2ST-0-DC-1MPPT-1101 - String combiner box (SCB)



2404297

<https://www.phoenixcontact.com/us/products/2404297>

Technical data

Product properties

Product type	String combiner box (SCB)
Scope of supply	DC connector for connecting the SCB
Design	DC switch disconnecter

Insulation characteristics

Protection class	II
------------------	----

Electrical properties

General

MPP voltage U_n	max. 1000 V DC
Open-circuit voltage U_{OC}	max. 1100 V DC
Current per string I_{max}	max. 16 A
Total current per MPP tracker	max. 32 A

DC switch disconnecter

Rated operating current DC-21B	32 A
Rated operating current DC-PV1	32 A
Rated operating current DC-PV2	32 A

Surge protection

EN type	T1 / T2
IEC test classification	T1 / T2
Protection level U_p	≤ 3.5 kV
Total discharge current I_{Total} (10/350) μs	5 kA
Total discharge current I_{Total} (8/20) μs	40 kA
Short-circuit current rating I_{SCPV}	32 A

Input data

DC

Number of inputs (Strings)	2 (Per MPP tracker)
Number of supported MPP trackers	1

Output data

DC

Number of outputs (MPP tracker)	1
Number of outputs (\pm per MPP tracker)	1 (Per MPP tracker)

Connection data

DC input

Type of cable entry	SUNCLIX
---------------------	---------

SOL-SC-2ST-0-DC-1MPPT-1101 - String combiner box (SCB)



2404297

<https://www.phoenixcontact.com/us/products/2404297>

Cable cross-section range	2.5 mm ² ... 6 mm ²
---------------------------	---

Lightning protection equipotential bonding & ground conductor

Type of cable entry	Cable gland
Connection method	Screw connection
Cable cross section	16 mm ²
External cable diameter	5 mm ... 10 mm

DC output

Type of cable entry	SUNCLIX
Cable cross-section range	2.5 mm ² ... 6 mm ²

Dimensions

Housing

Width	180 mm
Height	180 mm
Depth	111 mm

Material specifications

Material Housing	Polycarbonate
Material Cover/door	Polycarbonate (transparent)

Environmental and real-life conditions

Ambient conditions

Degree of protection	IP65
Ambient temperature (operation)	-20 °C ... 50 °C

Standards and regulations

Standard designation	Low-voltage switchgear and controlgear assemblies - Part 2: Power switchgear and controlgear assemblies
Standards/specifications	EN 61439-2

SOL-SC-2ST-0-DC-1MPPT-1101 - String combiner box (SCB)

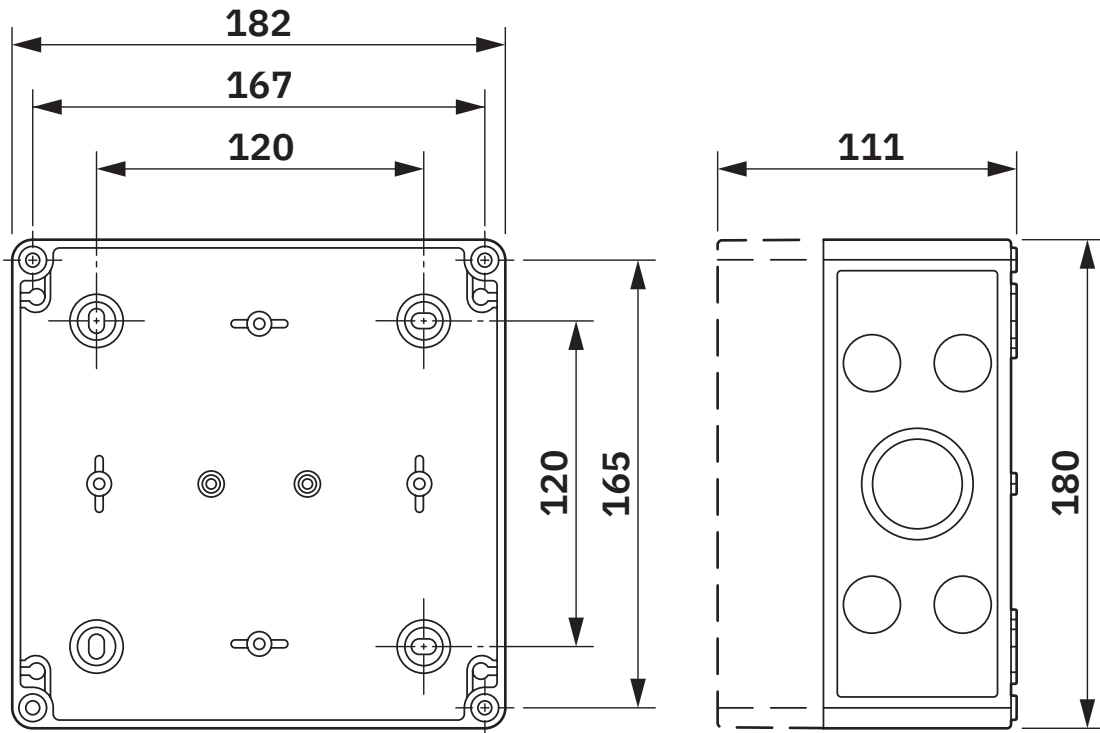


2404297

<https://www.phoenixcontact.com/us/products/2404297>

Drawings

Dimensional drawing



Housing dimensions

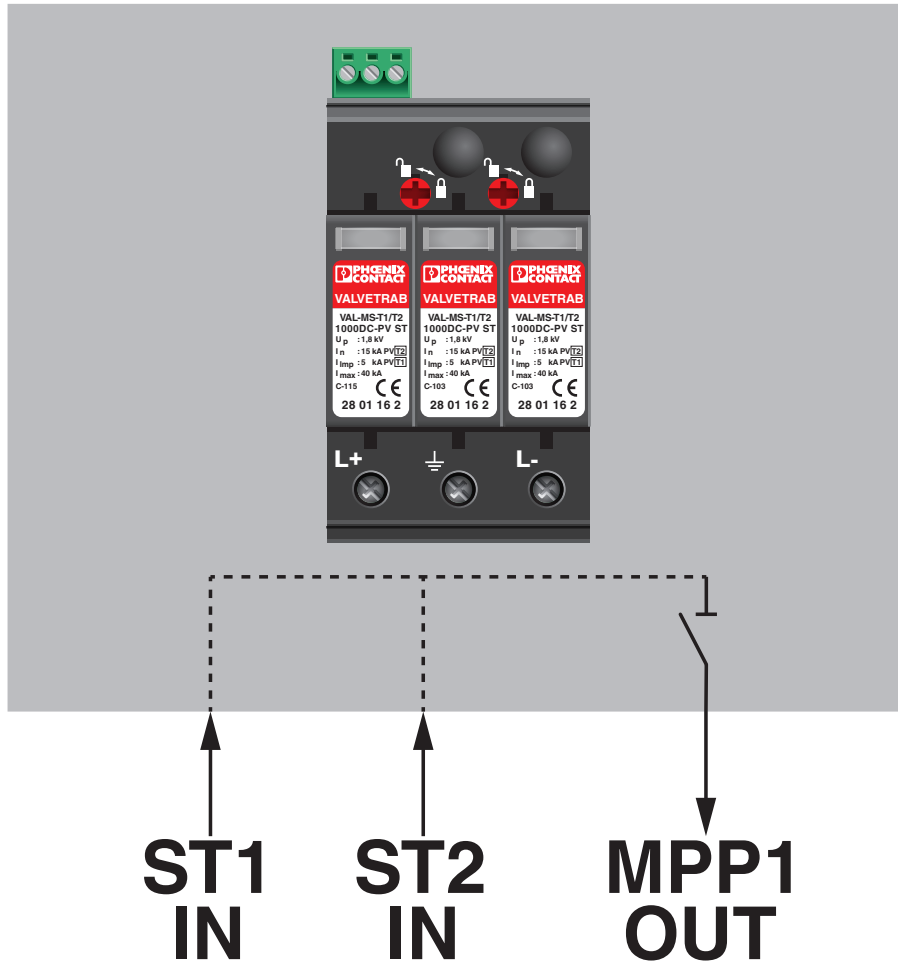
SOL-SC-2ST-0-DC-1MPPT-1101 - String combiner box (SCB)

2404297

<https://www.phoenixcontact.com/us/products/2404297>

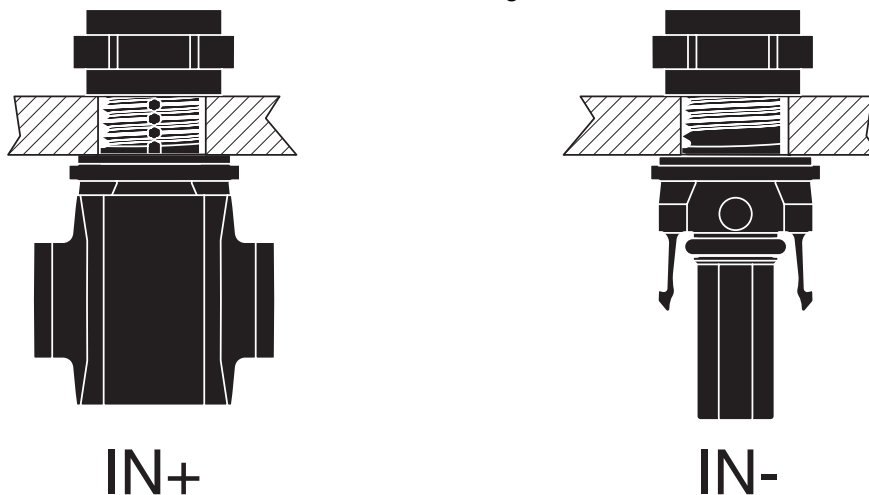
Connection diagram

SPD1



Schematic application drawing

Schematic diagram



Connection of the PV strings

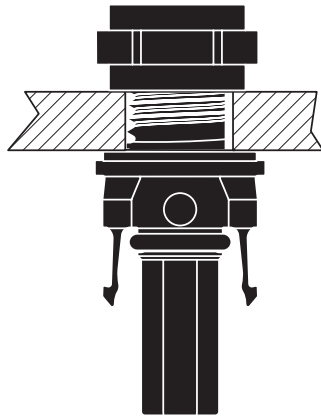
SOL-SC-2ST-0-DC-1MPPT-1101 - String combiner box (SCB)



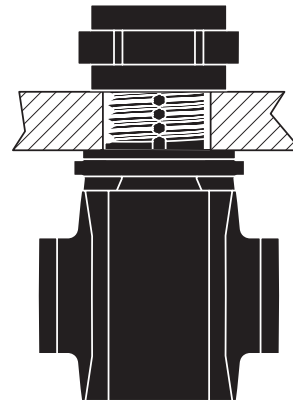
2404297

<https://www.phoenixcontact.com/us/products/2404297>

Schematic diagram



OUT+



OUT-

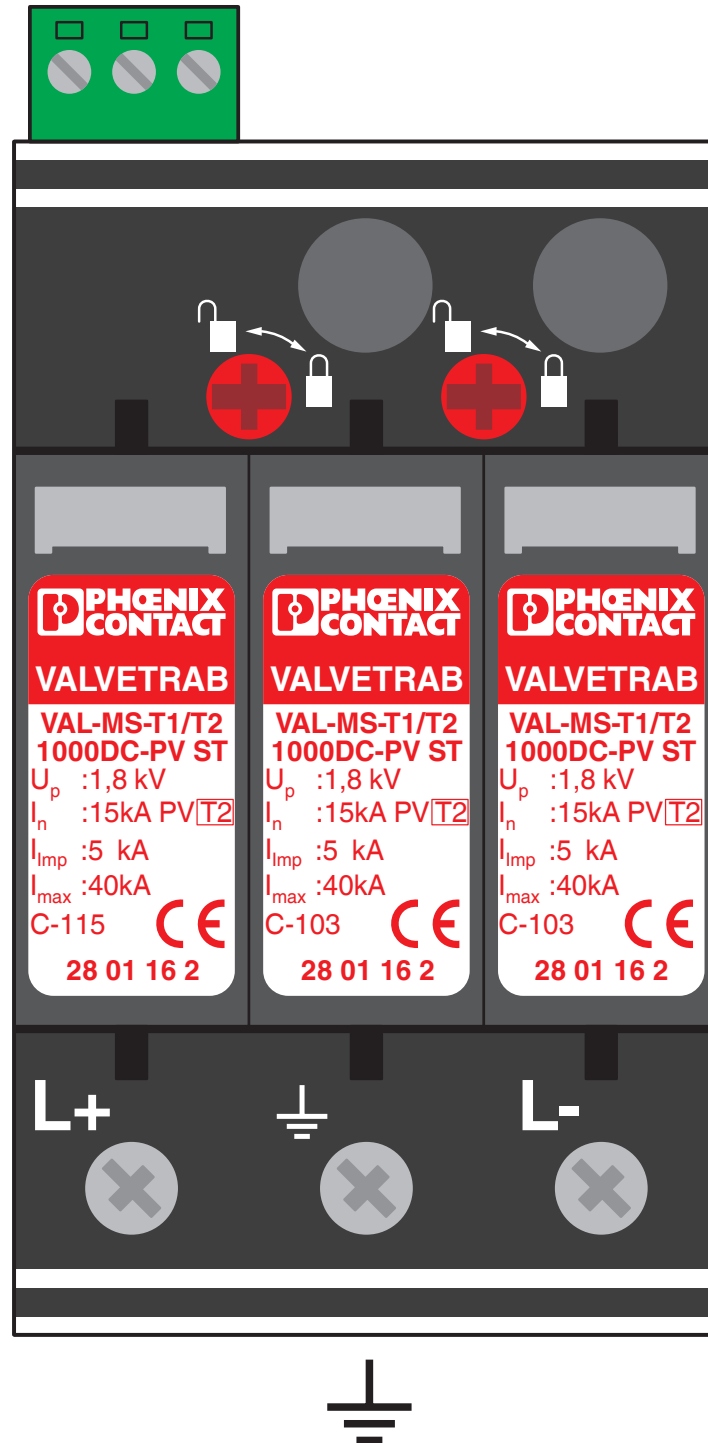
Connection to the inverter

SOL-SC-2ST-0-DC-1MPPT-1101 - String combiner box (SCB)

2404297

<https://www.phoenixcontact.com/us/products/2404297>

Schematic diagram



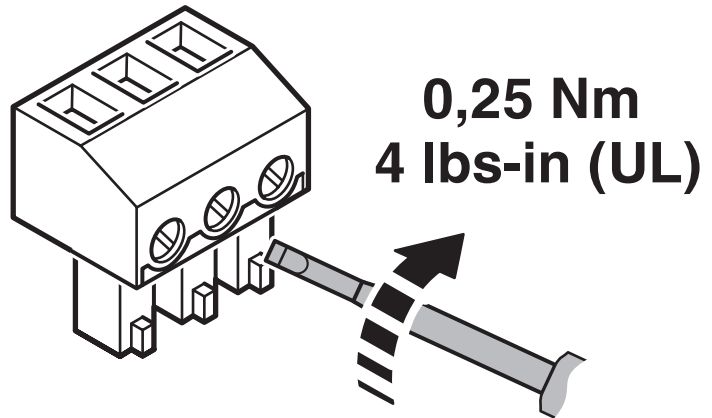
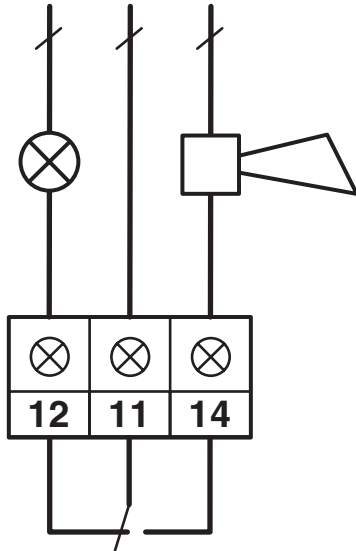
Connection of the protective grounding conductor on the surge protection

SOL-SC-2ST-0-DC-1MPPT-1101 - String combiner box (SCB)

2404297

<https://www.phoenixcontact.com/us/products/2404297>

Schematic diagram



Connection of the remote indication contact on the surge protection

SOL-SC-2ST-0-DC-1MPPT-1101 - String combiner box (SCB)



2404297

<https://www.phoenixcontact.com/us/products/2404297>

Classifications

ECLASS

ECLASS-13.0	27171490
ECLASS-15.0	22570203

ETIM

ETIM 10.0	EC003857
-----------	----------

UNSPSC

UNSPSC 21.0	39121100
-------------	----------

SOL-SC-2ST-0-DC-1MPPT-1101 - String combiner box (SCB)



2404297

<https://www.phoenixcontact.com/us/products/2404297>

Environmental product compliance

EU RoHS

Fulfills EU RoHS substance requirements	Yes, No exemptions
---	--------------------

China RoHS

Environment friendly use period (EFUP)	EFUP-E
	No hazardous substances above the limits

EU REACH SVHC

REACH candidate substance (CAS No.)	No substance above 0.1 wt%
-------------------------------------	----------------------------

Phoenix Contact 2026 © - all rights reserved
<https://www.phoenixcontact.com>

Phoenix Contact USA
586 Fulling Mill Road
Middletown, PA 17057, United States
(+717) 944-1300
info@phoenixcon.com