

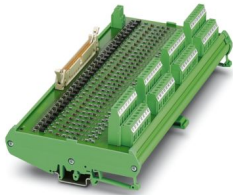
UM-32 OM-230AC/48DC/I/M/PLC - Active module



2394982

<https://www.phoenixcontact.com/us/products/2394982>

Please be informed that the data shown in this PDF document is generated from our online catalog. Please find the complete data in the user documentation. Our general terms of use for downloads are valid.



Module with 32 electrically isolated optocouplers, input 230 V AC (for input cards of the Delta V control system)

Commercial data

Item number	2394982
Packing unit	1 pc
Minimum order quantity	1 pc
Note	Made to order (non-returnable)
Sales key	C421
Product key	DK2191
GTIN	4017918995829
Weight per piece (including packing)	579.4 g
Weight per piece (excluding packing)	579.4 g
Customs tariff number	85364900
Country of origin	DE

Technical data

Product properties

Product type	Interface module
No. of channels	32

Insulation characteristics

Overvoltage category	III
Pollution degree	2

Electrical properties

Rated surge voltage	4 kV (Basic insulation)
---------------------	-------------------------

Supported controller: EMERSON DeltaV

Suitable I/O card	VE4001S2T2B5
-------------------	--------------

Input data

Nominal input voltage U_N	230 V AC $\pm 10\%$
Typical input current at U_N	1.1 mA
Protective circuit	Surge protection; Varistor
Switching threshold "0" signal, voltage	< 106 V AC
Switching threshold "1" signal voltage	> 180 V AC
Transmission frequency	5 Hz

Output data

Switching

Nominal supply voltage	24 V DC
Supply voltage range	10 V DC ... 48 V DC
Continuous load current	10 mA
Status display	LED (yellow)

Connection data

Field level

Connection method	Screw connection
Stripping length	8 mm
Screw thread	M3
Number of connections	66
Number of positions	6
Conductor cross-section rigid	0.2 mm ² ... 4 mm ²
Conductor cross-section flexible	0.2 mm ² ... 2.5 mm ²
Conductor cross-section AWG	24 ... 12

Controller level

Connection method	IDC/FLK pin strip
-------------------	-------------------

UM-32 OM-230AC/48DC/I/M/PLC - Active module



2394982

<https://www.phoenixcontact.com/us/products/2394982>

Number of connections	1
Number of positions	50
Pitch	2.54 mm

Signaling

Status display present	yes
------------------------	-----

Dimensions

Width	240 mm
Height	125.5 mm
Depth	66 mm

Material specifications

Color	green (RAL 6021)
Housing insulation material	PVC, side panel PA non-reinforced,

Environmental and real-life conditions

Ambient conditions

Ambient temperature (operation)	-20 °C ... 50 °C
Ambient temperature (storage/transport)	-20 °C ... 70 °C

Standards and regulations

Standards/regulations	DIN EN 50178
-----------------------	--------------

Mounting

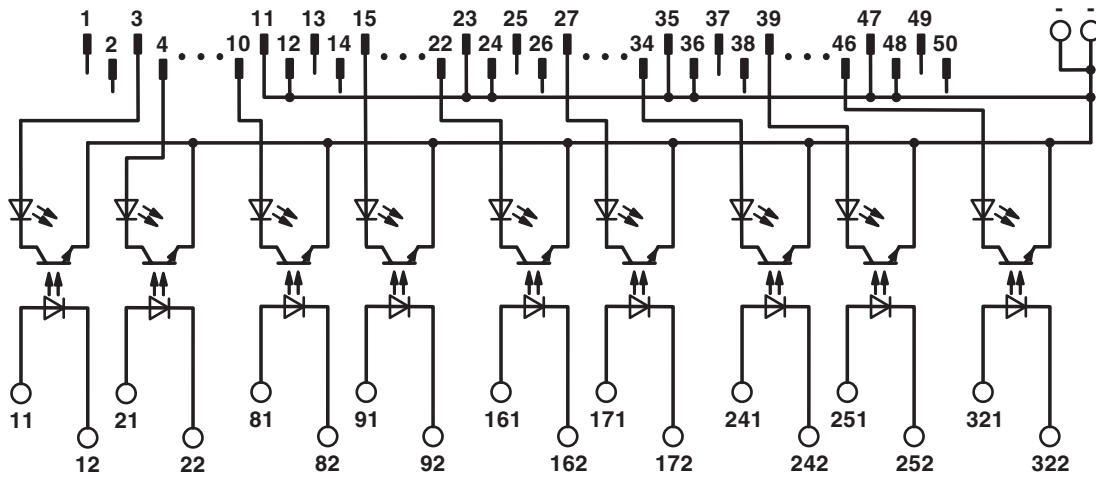
Mounting type	DIN rail mounting
Assembly note	in rows with zero spacing
Mounting position	any

Notes

Notes on operation	For proper use, the specifications of the installation directive (see Downloads) must be observed. For applications or use with third-party products, the specifications, and the safety and warning instructions of the respective third-party manufacturer must also be met.
--------------------	--

Drawings

Connection diagram



UM-32 OM-230AC/48DC/I/M/PLC - Active module



2394982

<https://www.phoenixcontact.com/us/products/2394982>

Environmental product compliance

China RoHS

Environment friendly use period (EFUP)	EFUP-50
	An article-related China RoHS declaration table can be found in the download area for the respective article under "Manufacturer declaration". For all articles with EFUP-E, no China RoHS declaration table issued and required.

EU REACH SVHC

REACH candidate substance (CAS No.)	No substance above 0.1 wt%
-------------------------------------	----------------------------

Phoenix Contact 2026 © - all rights reserved
<https://www.phoenixcontact.com>

Phoenix Contact USA
586 Fulling Mill Road
Middletown, PA 17057, United States
(+717) 944-1300
info@phoenixcon.com