

# VIP-PA-FLK50/ 0,5M/S7 - Front adapter



2322443

<https://www.phoenixcontact.com/us/products/2322443>

Please be informed that the data shown in this PDF document is generated from our online catalog. Please find the complete data in the user documentation. Our general terms of use for downloads are valid.



VIP VARIOFACE front adapter, with connected system cables for SMATIC S7-300, 1 x 32 channels can be connected

## Your advantages

- Can be screwed on with the I/O module
- Power supply via terminal blocks with spring-cage double connection
- Encapsulated socket strips on the module side

## Commercial data

|                                      |                                |
|--------------------------------------|--------------------------------|
| Item number                          | 2322443                        |
| Packing unit                         | 1 pc                           |
| Minimum order quantity               | 1 pc                           |
| Note                                 | Made to order (non-returnable) |
| Sales key                            | C423                           |
| Product key                          | DK232S                         |
| GTIN                                 | 4046356451888                  |
| Weight per piece (including packing) | 279.6 g                        |
| Weight per piece (excluding packing) | 279.6 g                        |
| Customs tariff number                | 85444290                       |
| Country of origin                    | DE                             |

# VIP-PA-FLK50/ 0,5M/S7 - Front adapter



2322443

<https://www.phoenixcontact.com/us/products/2322443>

## Technical data

### Product properties

|                |                        |
|----------------|------------------------|
| Product type   | Front adapter          |
| Product family | VARIOFACE Professional |

### Insulation characteristics: Air clearances and creepage distances

|                      |                       |
|----------------------|-----------------------|
| Insulation           | Functional insulation |
| Overvoltage category | II                    |
| Pollution degree     | 2                     |

### Electrical properties

|                          |           |
|--------------------------|-----------|
| Operating voltage (AC)   | ≤ 30 V AC |
| Operating voltage (DC)   | ≤ 60 V DC |
| Current (per branch)     | ≤ 1 A     |
| Current (Voltage supply) | ≤ 8 A     |
| Current (per byte)       | ≤ 2 A     |

### Air clearances and creepage distances

|                          |        |
|--------------------------|--------|
| Rated insulation voltage | 63 V   |
| Rated surge voltage      | 0.6 kV |

### Supported controller: SIEMENS S7-300 / ET 200 M

|                    |                    |
|--------------------|--------------------|
| Suitable I/O card  | CPU 312C           |
|                    | CPU 313C           |
|                    | CPU 313C-2PiP      |
|                    | CPU 313C-2DP       |
|                    | CPU 314C-2PiP      |
|                    | CPU 314C-2DP       |
|                    | 6ES7321-1BL00-0AA0 |
|                    | 6ES7322-1BL00-0AA0 |
|                    | 6ES7322-8BH01-0AB0 |
|                    | 6ES7322-8BH10-0AB0 |
|                    | 6ES7323-1BL00-0AA0 |
|                    | 6ES7331-1KF01-0AB0 |
|                    | 6ES7331-7NF00-0AB0 |
|                    | 6ES7331-7NF10-0AB0 |
|                    | 6ES7331-7PF01-0AB0 |
|                    | 6ES7331-7PF11-0AB0 |
|                    | 6ES7332-5HF00-0AB0 |
|                    | 6ES7350-2AH01-0AE0 |
|                    | 6ES7357-4AH01-0AE0 |
|                    | 6ES7321-7TH00-0AB0 |
| 6ES7331-1KF02-0AB0 |                    |

# VIP-PA-FLK50/ 0,5M/S7 - Front adapter



2322443

<https://www.phoenixcontact.com/us/products/2322443>

## Connection data

### Connection 1 (control level)

|                     |   |
|---------------------|---|
| Connection method   | Plug-in connection                      |
| Number of positions | 40                                      |
| Note                | Can be plugged onto 40-pos. I/O modules |

### Connection 2 (field level)

|                                  |                      |
|----------------------------------|----------------------|
| Connection in acc. with standard | IEC 60603-13         |
| Connection method                | IDC/FLK socket strip |
| Number of connections            | 1                    |
| Number of positions              | 50                   |
| Insertion/withdrawal cycles      | < 50                 |
| Pitch                            | 2.54 mm              |

### Connection 3 (supply)

|   |   |
|---|---|
| Connection method   | Push-in spring connection   |
| Stripping length  | 10 mm   |
| Number of connections   | 2   |
| Number of positions   | 4   |
| Conductor cross-section rigid   | 0.2 mm <sup>2</sup> ... 2.5 mm <sup>2</sup>                                   |
| Conductor cross-section flexible  | 0.2 mm <sup>2</sup> ... 2.5 mm <sup>2</sup>                                   |
|   | 0.25 mm <sup>2</sup> ... 2.5 mm <sup>2</sup> (Ferrule without plastic sleeve) |
|   | 0.25 mm <sup>2</sup> ... 1 mm <sup>2</sup> (Ferrule with plastic sleeve)      |
| Conductor cross-section flexible (2 conductors with same cross section) | 0.5 mm <sup>2</sup> ... 1 mm <sup>2</sup> (TWIN ferrule with plastic sleeve)  |
| Conductor cross-section AWG   | 24 ... 12   |
| Pitch   | 5 mm  |

## Dimensions

### Cable

|        |       |
|--------|-------|
| Length | 0.5 m |
|--------|-------|

## Cable/line

### 50X0.14 [PVC]

|                                 |                          |
|---------------------------------|--------------------------|
| UL AWM Style                    | 2464/1061                |
| Number of positions             | 50                       |
| Shielded                        | no                       |
| Cable type                      | 50X0.14 [PVC]            |
| Conductor type                  | Round cable set          |
| Conductor structure signal line | 7x 0.16 mm               |
| AWG signal line                 | 26                       |
| Conductor cross-section         | 50x 0.14 mm <sup>2</sup> |
| Wire diameter incl. insulation  | 1 mm ±0.03 mm            |

# VIP-PA-FLK50/ 0,5M/S7 - Front adapter



2322443

<https://www.phoenixcontact.com/us/products/2322443>

|   |   |
|---|---|
| External cable diameter                       | 10.30 mm ±0.4 mm  |
| Outer sheath, material                        | Semi-rigid PVC  |
| External sheath, color                        | gray  |
| Conductor material                            | Tin-plated Cu litz wires  |
| Cable resistance                              | ≤ 145 Ω/km (20 °C)  |
| Insulation resistance                         | ≥ 20 MΩ*km (20 °C)  |
| Smallest bending radius, fixed installation   | 86 mm   |
| Smallest bending radius, movable installation | 161 mm  |
| Dynamic load capacity (bending)               | Max. bending cycles: 5000 (at a radius of ≥ 15x outside diameter) |
| Halogen-free                                  | no  |
| Flame resistance                              | IEC 60332-1-2 (raw cable)   |
|   | VDE 0842, Part 332-1-2 (raw cable)                                |
|   | IEC 60332-3-22 (raw cable)  |
|   | UL VW-1   |
|   | CSA FT-1  |
| Resistance to oil                             | can withstand occasional splashes (raw cable)                     |

## Environmental and real-life conditions

### Ambient conditions

|  |                  |
|--|------------------|
| Degree of protection (Module)                | IP20             |
| Degree of protection (Installation location) | ≥ IP54           |
| Ambient temperature (operation)              | -20 °C ... 50 °C |
| Ambient temperature (storage/transport)      | -20 °C ... 70 °C |
| Altitude                                     | ≤ 2000 m         |

## Approvals

### UKCA

|             |                |
|-------------|----------------|
| Certificate | UKCA-compliant |
|-------------|----------------|

## Standards and regulations

### Air clearances and creepage distances

|                       |                |
|-----------------------|----------------|
| Standards/regulations | EN IEC 60664-1 |
|-----------------------|----------------|

## Mounting

|                   |                  |
|-------------------|------------------|
| Mounting type     | Plug-in mounting |
| Mounting position | any              |

## Notes

|                    |  |
|--------------------|--|
| Notes on operation | For proper use, the specifications of the installation directive (see Downloads) must be observed. For applications or use with third-party products, the specifications, and the safety and warning instructions of the respective third-party manufacturer must also be met. |
|--------------------|--|

# VIP-PA-FLK50/ 0,5M/S7 - Front adapter



2322443

<https://www.phoenixcontact.com/us/products/2322443>

|                    |  |
|--------------------|--|
| Notes on operation | <p>To prevent short circuits, all wire bridges on the following I/O cards are to be separated.</p> <p>There may not be any voltage supply at the front adapter.</p> <p>6ES7 331-1KF01-0AB0<br/>6ES7 331-1KF02-0AB0<br/>6ES7 331-7NF00-0AB0<br/>6ES7 331-7NF10-0AB0<br/>6ES7 331-7PF01-0AB0<br/>6ES7 331-7PF11-0AB0<br/>6ES7 332-5HF00-0AB0<br/>6ES7 350-2AH01-0AE0<br/>6ES7 357-4AH01-0AE0</p> |
| Notes on operation | <p><u>Digital I/O cards</u></p> <p>Thanks to the existing wire bridge upon delivery, the input and output bytes are non-isolated.</p>  |

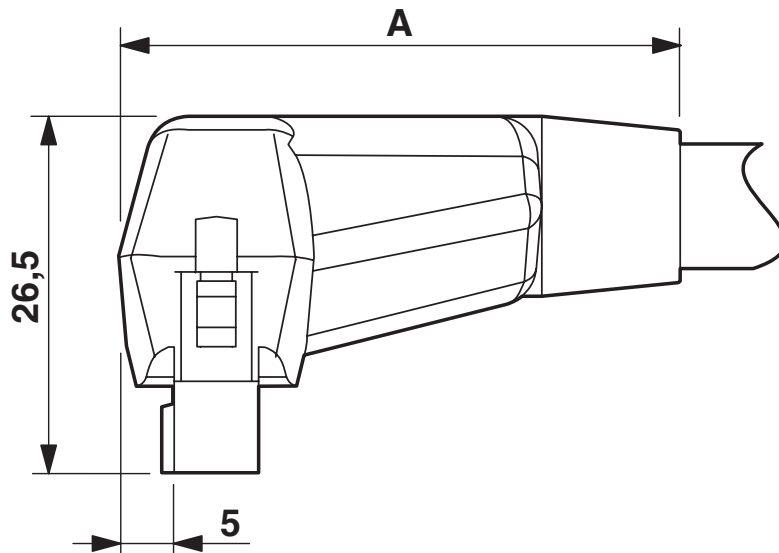
# VIP-PA-FLK50/ 0,5M/S7 - Front adapter

2322443

<https://www.phoenixcontact.com/us/products/2322443>

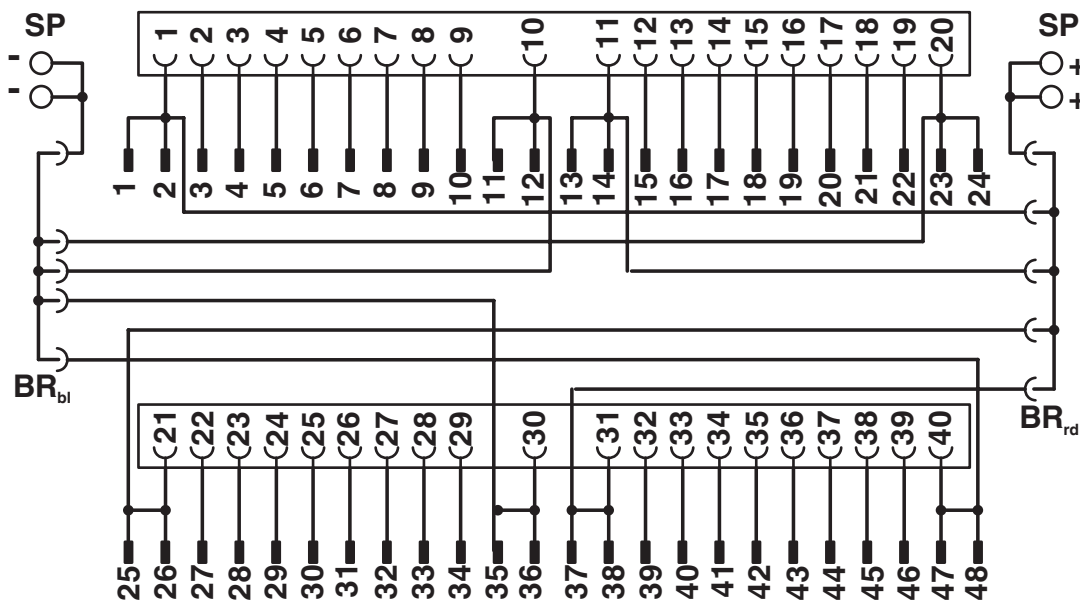
## Drawings

Dimensional drawing



|             | A  |
|-------------|----|
| ...FLK14... | 37 |
| ...FLK50... | 42 |

Circuit diagram



# VIP-PA-FLK50/ 0,5M/S7 - Front adapter



2322443

<https://www.phoenixcontact.com/us/products/2322443>

## Classifications

### ECLASS

ECLASS-13.0

27242292

### ETIM

ETIM 9.0

EC002584

### UNSPSC

UNSPSC 21.0

32151600

# VIP-PA-FLK50/ 0,5M/S7 - Front adapter



2322443

<https://www.phoenixcontact.com/us/products/2322443>

## Environmental product compliance

### EU RoHS

|   |                    |
|---|--------------------|
| Fulfills EU RoHS substance requirements | Yes, No exemptions |
|---|--------------------|

### China RoHS

|  |  |
|--|--|
| Environment friendly use period (EFUP) | EFUP-E                                   |
|  | No hazardous substances above the limits |

### EU REACH SVHC

|                                     |                            |
|-------------------------------------|----------------------------|
| REACH candidate substance (CAS No.) | No substance above 0.1 wt% |
|-------------------------------------|----------------------------|

Phoenix Contact 2026 © - all rights reserved  
<https://www.phoenixcontact.com>

Phoenix Contact USA  
586 Fulling Mill Road  
Middletown, PA 17057, United States  
(+717) 944-1300  
[info@phoenixcon.com](mailto:info@phoenixcon.com)