

VIP-3/SC/FLK14/8IM/PLC - Passive module

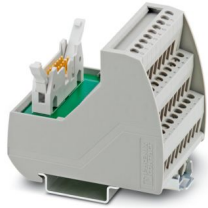


2322278

<https://www.phoenixcontact.com/us/products/2322278>

Please be informed that the data shown in this PDF document is generated from our online catalog. Please find the complete data in the user documentation. Our general terms of use for downloads are valid.

VARIOFACE sensor module, for connecting 8 pnp sensors



Your advantages

- Can be used for digital I/O modules
- With LED as an option
- Byte-by-byte labeling
- Positive and negative connection per signal

Commercial data

Item number	2322278
Packing unit	1 pc
Minimum order quantity	1 pc
Sales key	C423
Product key	DK2111
GTIN	4046356450997
Weight per piece (including packing)	117.4 g
Weight per piece (excluding packing)	136 g
Customs tariff number	85366990
Country of origin	US

VIP-3/SC/FLK14/8IM/PLC - Passive module



2322278

<https://www.phoenixcontact.com/us/products/2322278>

Technical data

Product properties

Product type	Interface module
Product family	VARIOFACE Professional
Number of positions	14
No. of channels	8

Insulation characteristics

Overvoltage category	II
Pollution degree	2

Electrical properties

Operating voltage (AC)	≤ 25 V AC
Operating voltage (DC)	≤ 60 V DC
Current (per branch)	≤ 1 A
Current ()	≤ 3 A (per byte)
Rated surge voltage	0.6 kV

Supported controller: SIEMENS S7-1500

Suitable I/O card	6ES7521-1BH00-0AB0
	6ES7521-1BH10-0AA0
	6ES7521-1BH50-0AA0
	6ES7521-1BL00-0AB0
	6ES7521-1BL10-0AA0
	6ES7521-1BP00-0AA0 (Sinking mode)
	6ES7522-1BH00-0AB0
	6ES7522-1BH01-0AB0
	6ES7522-1BH10-0AA0
	6ES7522-1BL00-0AB0
	6ES7522-1BL01-0AB0
	6ES7522-1BL10-0AA0
	6ES7522-1BP00-0AA0
	6ES7522-1BP50-0AA0
	6ES7523-1BL00-0AA0
6ES7523-1BP50-0AA0 (DI32 (Sinking mode)/DQ32)	

Supported controller: ABB S800 I/O

Suitable I/O card	DI810
	DI811
	DI814
	DI818
	DI830
	DI831
	DI840

VIP-3/SC/FLK14/8IM/PLC - Passive module



2322278

<https://www.phoenixcontact.com/us/products/2322278>

	DO810
	DO814
	DO818
	DO840

Supported controller: ALLEN-BRADLEY ControlLogix

Suitable I/O card	1756-IB32
	1756-OB32
	1756-IN16
	1756-IB16
	1756-IC16
	1756-OB16E

Supported controller: GE-FANUC RX3i

Suitable I/O card	IC694MDL754
	IC694MDL660

Supported controller: HONEYWELL Experion PKS C200

Suitable I/O card	TC-IDD 321
	TC-ODD 321

Supported controller: MITSUBISHI MELSEC L

Suitable I/O card	LX41C4
	LX42C4
	LY41NT1P
	LY42NT1P
	LY41PT1P
	LY42PT1P

Supported controller: MITSUBISHI MELSEC Q

Suitable I/O card	QX81
	QY81P
	QX41
	QX41-S1
	QX42
	QX42-S1
	QX71
	QX72
	QY41P
	QY42P
	QY71
	QH42P
	QX82
	QX82-S1
	QY82P

Supported controller: SIEMENS S7-300 / ET 200 M

VIP-3/SC/FLK14/8IM/PLC - Passive module



2322278

<https://www.phoenixcontact.com/us/products/2322278>

Suitable I/O card	CPU 313C-2DP
	CPU 314C-2DP
	CPU 314C-2PtP
	6ES7321-1BH02-0AA0
	6ES7321-1BL00-0AA0
	6ES7322-1BH01-0AA0
	6ES7322-1BL00-0AA0
	6ES7323-1BH01-0AA0
	6ES7323-1BL00-0AA0

Supported controller: SIEMENS S7-400

Suitable I/O card	6ES7421-1BL01-0AA0
	6ES7422-1BL00-0AA0
	6ES7422-7BL00-0AB0

Supported controller: SCHNEIDER ELECTRIC Modicon TSX QUANTUM

Suitable I/O card	DDI 353
	DDI 853
	DAI 453
	DDO 353

Connection data

Field level

Connection in acc. with standard	IEC / EN
Connection method	Screw connection
Stripping length	8 mm
Screw thread	M3
Conductor cross-section rigid	0.2 mm ² ... 4 mm ²
Conductor cross-section flexible	0.2 mm ² ... 2.5 mm ²
Conductor cross-section AWG	24 ... 12
Tightening torque	0.5 Nm ... 0.6 Nm

Controller level

Connection method	IDC/FLK pin strip
Number of connections	1
Number of positions	14
Pitch	2.54 mm

Signaling

Status display	no
Status display present	no

Dimensions

Item dimensions

Width	52.3 mm
-------	---------

VIP-3/SC/FLK14/8IM/PLC - Passive module



2322278

<https://www.phoenixcontact.com/us/products/2322278>

Height	69 mm
Depth	62 mm

Material specifications

Color	gray (RAL 7042)
Flammability rating according to UL 94	V0
Housing insulation material	Polyamide PA non-reinforced

Environmental and real-life conditions

Ambient conditions

Ambient temperature (operation)	-20 °C ... 50 °C
Ambient temperature (storage/transport)	-20 °C ... 70 °C

Standards and regulations

Standards/regulations	IEC 60664
	DIN EN 50178

Mounting

Mounting type	DIN rail mounting
Mounting position	any

Notes

Notes on operation	For proper use, the specifications of the installation directive (see Downloads) must be observed. For applications or use with third-party products, the specifications, and the safety and warning instructions of the respective third-party manufacturer must also be met.
--------------------	--

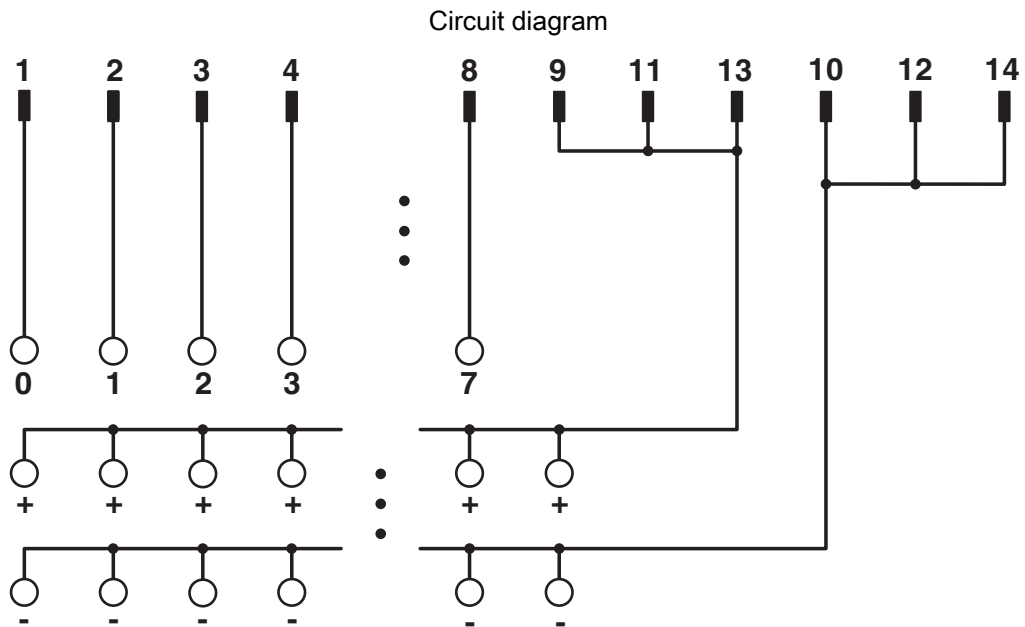
VIP-3/SC/FLK14/8IM/PLC - Passive module



2322278

<https://www.phoenixcontact.com/us/products/2322278>

Drawings



VIP-3/SC/FLK14/8IM/PLC - Passive module





2322278

<https://www.phoenixcontact.com/us/products/2322278>

Approvals

To download certificates, visit the product detail page: <https://www.phoenixcontact.com/us/products/2322278>

 cUL Recognized Approval ID: E238705				
	Nominal voltage U_N	Nominal current I_N	Cross section AWG	Cross section mm^2
keine				
	125 V	1 A	30 - 12	-

 UL Recognized Approval ID: E238705				
	Nominal voltage U_N	Nominal current I_N	Cross section AWG	Cross section mm^2
keine				
	125 V	1 A	30 - 12	-

VIP-3/SC/FLK14/8IM/PLC - Passive module



2322278

<https://www.phoenixcontact.com/us/products/2322278>

Classifications

ECLASS

ECLASS-13.0	27141152
ECLASS-15.0	27141152

ETIM

ETIM 10.0	EC002780
-----------	----------

UNSPSC

UNSPSC 21.0	39121400
-------------	----------

VIP-3/SC/FLK14/8IM/PLC - Passive module



2322278

<https://www.phoenixcontact.com/us/products/2322278>

Environmental product compliance

EU RoHS

Fulfills EU RoHS substance requirements	Yes, No exemptions
---	--------------------

China RoHS

Environment friendly use period (EFUP)	EFUP-E
	No hazardous substances above the limits

EU REACH SVHC

REACH candidate substance (CAS No.)	No substance above 0.1 wt%
-------------------------------------	----------------------------

Phoenix Contact 2026 © - all rights reserved
<https://www.phoenixcontact.com>

Phoenix Contact USA
586 Fulling Mill Road
Middletown, PA 17057, United States
(+717) 944-1300
info@phoenixcon.com