

# VIP-3/SC/D50SUB/M/LED - Termination board



2322184

<https://www.phoenixcontact.com/us/products/2322184>

Please be informed that the data shown in this PDF document is generated from our online catalog. Please find the complete data in the user documentation. Our general terms of use for downloads are valid.



VARIOFACE module, with screw connection and D-SUB miniature pin strip, for mounting on NS 35 rails, with LED, 50-pos.

## Your advantages

- 9-pos. ... 50-pos.
- Metal foot
- In accordance with IEC 60603-13
- Screw connection
- 1:1 connection
- In accordance with IEC 60603-13

## Commercial data

|                                      |               |
|--------------------------------------|---------------|
| Item number                          | 2322184       |
| Packing unit                         | 1 pc          |
| Minimum order quantity               | 1 pc          |
| Sales key                            | C423          |
| Product key                          | DK2112        |
| GTIN                                 | 4046356451802 |
| Weight per piece (including packing) | 249 g         |
| Weight per piece (excluding packing) | 249 g         |
| Customs tariff number                | 85366990      |
| Country of origin                    | US            |

# VIP-3/SC/D50SUB/M/LED - Termination board



2322184

<https://www.phoenixcontact.com/us/products/2322184>

## Technical data

### Product properties

|                     |                        |
|---------------------|------------------------|
| Product type        | Interface module       |
| Product family      | VARIOFACE Professional |
| Number of positions | 50                     |

### Insulation characteristics

|                      |    |
|----------------------|----|
| Overvoltage category | II |
| Pollution degree     | 2  |

### Electrical properties

|   |         |
|---|---------|
| Nominal voltage $U_N$                     | 24 V DC |
| Max. current carrying capacity per branch | 0.5 A   |

### Connection data

#### Field level

|                                  |   |
|----------------------------------|---|
| Connection in acc. with standard | IEC / EN                                    |
| Connection method                | Screw connection                            |
| Stripping length                 | 8 mm  |
| Screw thread                     | M3  |
| Conductor cross-section rigid    | 0.2 mm <sup>2</sup> ... 4 mm <sup>2</sup>   |
| Conductor cross-section flexible | 0.2 mm <sup>2</sup> ... 2.5 mm <sup>2</sup> |
| Conductor cross-section AWG      | 24 ... 12                                   |
| Tightening torque                | 0.5 Nm ... 0.6 Nm                           |

#### Controller level

|                       |                 |
|-----------------------|-----------------|
| Connection method     | D-SUB pin strip |
| Number of connections | 1               |
| Number of positions   | 50              |

### Signaling

|                        |     |
|------------------------|-----|
| Status display         | LED |
| Status display present | yes |

### Dimensions

#### Item dimensions

|        |         |
|--------|---------|
| Width  | 98.2 mm |
| Height | 69 mm   |
| Depth  | 62 mm   |

### Material specifications

|  |                 |
|--|-----------------|
| Color                                  | gray (RAL 7042) |
| Flammability rating according to UL 94 | V0              |

# VIP-3/SC/D50SUB/M/LED - Termination board



2322184

<https://www.phoenixcontact.com/us/products/2322184>

|                             |                             |
|-----------------------------|-----------------------------|
| Housing insulation material | Polyamide PA non-reinforced |
|-----------------------------|-----------------------------|

## Environmental and real-life conditions

### Ambient conditions

|   |                  |
|---|------------------|
| Ambient temperature (operation)         | -20 °C ... 45 °C |
| Ambient temperature (storage/transport) | -20 °C ... 70 °C |

## Standards and regulations

|                       |              |
|-----------------------|--------------|
| Standards/regulations | IEC 60664    |
|                       | DIN EN 50178 |

## Mounting

|                   |                   |
|-------------------|-------------------|
| Mounting type     | DIN rail mounting |
| Mounting position | any               |

## Notes

|                    |  |
|--------------------|--|
| Notes on operation | For proper use, the specifications of the installation directive (see Downloads) must be observed. For applications or use with third-party products, the specifications, and the safety and warning instructions of the respective third-party manufacturer must also be met. |
|--------------------|--|

# VIP-3/SC/D50SUB/M/LED - Termination board

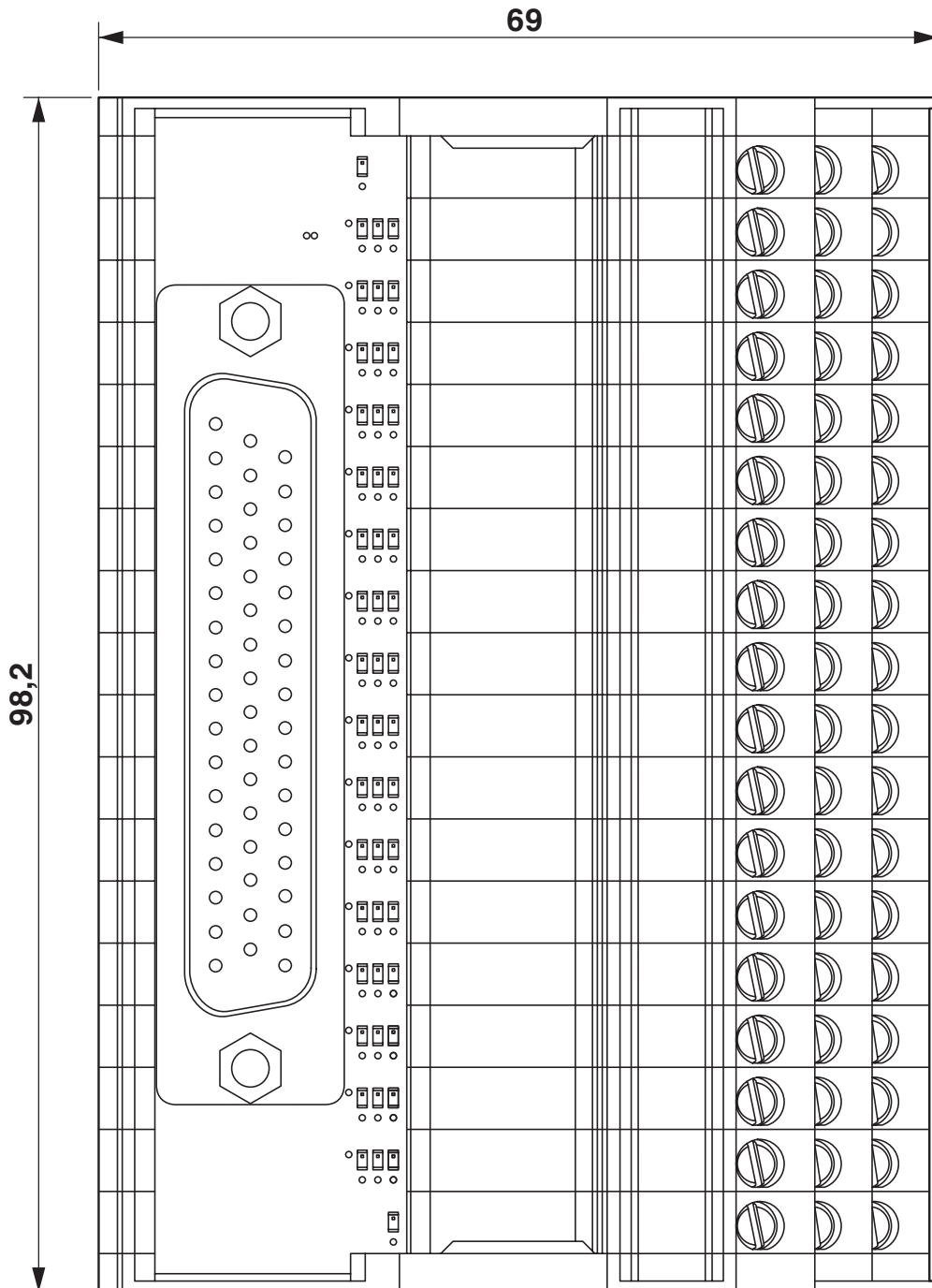


2322184

<https://www.phoenixcontact.com/us/products/2322184>

## Drawings

Dimensional drawing



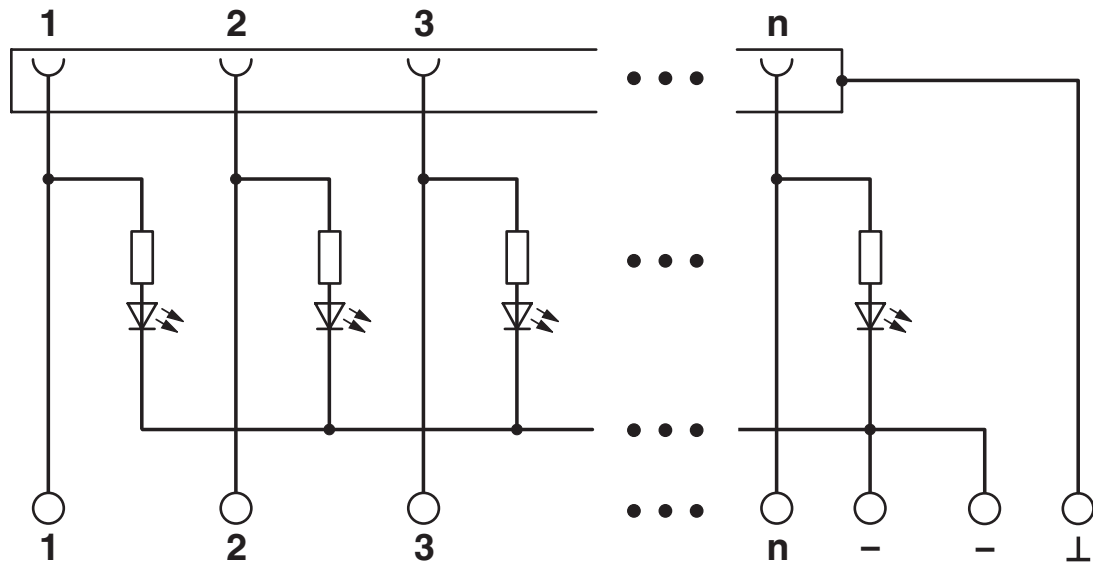
# VIP-3/SC/D50SUB/M/LED - Termination board



2322184

<https://www.phoenixcontact.com/us/products/2322184>

Circuit diagram



# VIP-3/SC/D50SUB/M/LED - Termination board





2322184


<https://www.phoenixcontact.com/us/products/2322184>


## Approvals

To download certificates, visit the product detail page: <https://www.phoenixcontact.com/us/products/2322184>

|  <b>CSA</b><br>Approval ID: 2122203 |                       |                       |                   |                             |
|--|-----------------------|-----------------------|-------------------|-----------------------------|
|  | Nominal voltage $U_N$ | Nominal current $I_N$ | Cross section AWG | Cross section $\text{mm}^2$ |
| keine  |                       |                       |                   |                             |
|  | 24 V                  | 1 A                   | 28 - 12           | -                           |

|  <b>cUL Recognized</b><br>Approval ID: E238705 |                       |                       |                   |                             |
|---|-----------------------|-----------------------|-------------------|-----------------------------|
|   | Nominal voltage $U_N$ | Nominal current $I_N$ | Cross section AWG | Cross section $\text{mm}^2$ |
| keine   |                       |                       |                   |                             |
|   | 24 V                  | 1 A                   | 30 - 12           | -                           |

|  <b>UL Recognized</b><br>Approval ID: E238705 |                       |                       |                   |                             |
|--|-----------------------|-----------------------|-------------------|-----------------------------|
|  | Nominal voltage $U_N$ | Nominal current $I_N$ | Cross section AWG | Cross section $\text{mm}^2$ |
| keine  |                       |                       |                   |                             |
|  | 24 V                  | 1 A                   | 30 - 12           | -                           |

|  <b>CSAus</b><br>Approval ID: 2122203 |                       |                       |                   |                             |
|--|-----------------------|-----------------------|-------------------|-----------------------------|
|  | Nominal voltage $U_N$ | Nominal current $I_N$ | Cross section AWG | Cross section $\text{mm}^2$ |
| keine  |                       |                       |                   |                             |
|  | 24 V                  | 1 A                   | 28 - 12           | -                           |

# VIP-3/SC/D50SUB/M/LED - Termination board



2322184

<https://www.phoenixcontact.com/us/products/2322184>

## Classifications

### ECLASS

|             |          |
|-------------|----------|
| ECLASS-13.0 | 27141152 |
| ECLASS-15.0 | 27141152 |

### ETIM

|           |          |
|-----------|----------|
| ETIM 10.0 | EC002780 |
|-----------|----------|

### UNSPSC

|             |          |
|-------------|----------|
| UNSPSC 21.0 | 39121400 |
|-------------|----------|

2322184

<https://www.phoenixcontact.com/us/products/2322184>

## Environmental product compliance

### EU RoHS

|   |              |
|---|--------------|
| Fulfills EU RoHS substance requirements | Yes          |
| Exemption                               | 6(c), 7(c)-I |

### China RoHS

|  |   |
|--|---|
| Environment friendly use period (EFUP) | EFUP-50   |
|  | An article-related China RoHS declaration table can be found in the download area for the respective article under "Manufacturer declaration". For all articles with EFUP-E, no China RoHS declaration table issued and required. |

### EU REACH SVHC

|                                     |                                      |
|-------------------------------------|--------------------------------------|
| REACH candidate substance (CAS No.) | Lead(CAS: 7439-92-1)                 |
| SCIP                                | fb55fd87-2158-4a5c-ad43-3e4bd9b2c1cf |

Phoenix Contact 2026 © - all rights reserved

<https://www.phoenixcontact.com>

Phoenix Contact USA  
586 Fulling Mill Road  
Middletown, PA 17057, United States  
(+717) 944-1300  
[info@phoenixcon.com](mailto:info@phoenixcon.com)